



<http://www.adsequip.com/>

Installation Manual of Classic 201 Delivery System

Copyrights

ADS makes no warranty of any kind with regard to this material , including but not limited to, the implied warranties of merchantability and fitness for a particular purpose. ADS shall not be held liable for any errors contained herein or any consequential or other damages concerning furnishing, performance or use of this material. The information in this document is subject to change without notice . If you find any problems in the documentation, please report them to us in writing. ADS does not warrant that this document is error-free.

No part of this document may be copied, reproduced, altered, or transmitted in any form or by any means, electronic or mechanical, including photocopying, recording, or by any information storage and retrieval system, without prior written permission from ADS.

The document is intended to be used in conjunction with the equipment.

Comments and feedback

Please contact us if you have any feedback and opinions on this document:

Add: 1590 S Milliken Ave., unit A, Ontario, CA 91761

Tel: (626) 620 0456

E-mail : sales@adsequip.com

<http://www.adsequip.com/>

Product service

If you want to get service information, please contact the local dealer authorized by ADS company.

Technical support tel: 800 488 9708

CONTENTS

1	Introduction.....	1
1.1	Products information.....	1
1.2	Symbols explanation.....	1
2	Compositions.....	3
3	Dimensions.....	4
4	Specifications.....	5
5	Preparations.....	5
5.1	Attentions.....	5
5.2	Tools recommended.....	6
5.3	Installation sequence.....	7
6	Installation.....	8
6.1	Install the water unit.....	8
6.2	Install assistant unit.....	14
6.3	Install the cuspidor.....	16
6.4	Install the delivery head.....	20
6.4.1	The installation of dental chair and compass arm	20
6.4.2	Install the delivery head.....	21
6.4.3	Adjustment of Level arm for delivery head.....	24
6.5	Install the dental light(Optional).....	25
6.6	Install the foot control.....	30
6.7	Connection of line for junction box.....	31
7	Water & air diagrams.....	33

1 Introduction







1.1 Products information







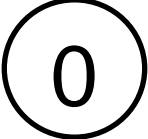







- **Name:** Delivery system
- **Model:** Classic201
- **Working conditions:**
 - ① Ambient temperature: 5 °C~40 °C;
 - ② Relative humidity: ≤ 80%;
 - ③ Nominal Voltage: AC110 V±22 V;
 - ④ Nominal Frequency: 60 Hz±1 Hz;
 - ⑤ Water pressure: 29psi~58psi;
 - ⑥ Input air pressure : 72.5psi~101.5psi, Air flow ≥50 L/min.

Unit conversion	
MPa	psi
0. 2MPa	29psi
0. 4MPa	58psi
0. 6MPa	87psi
0. 8MPa	116psi

1.2 Symbols explanation

Table 1

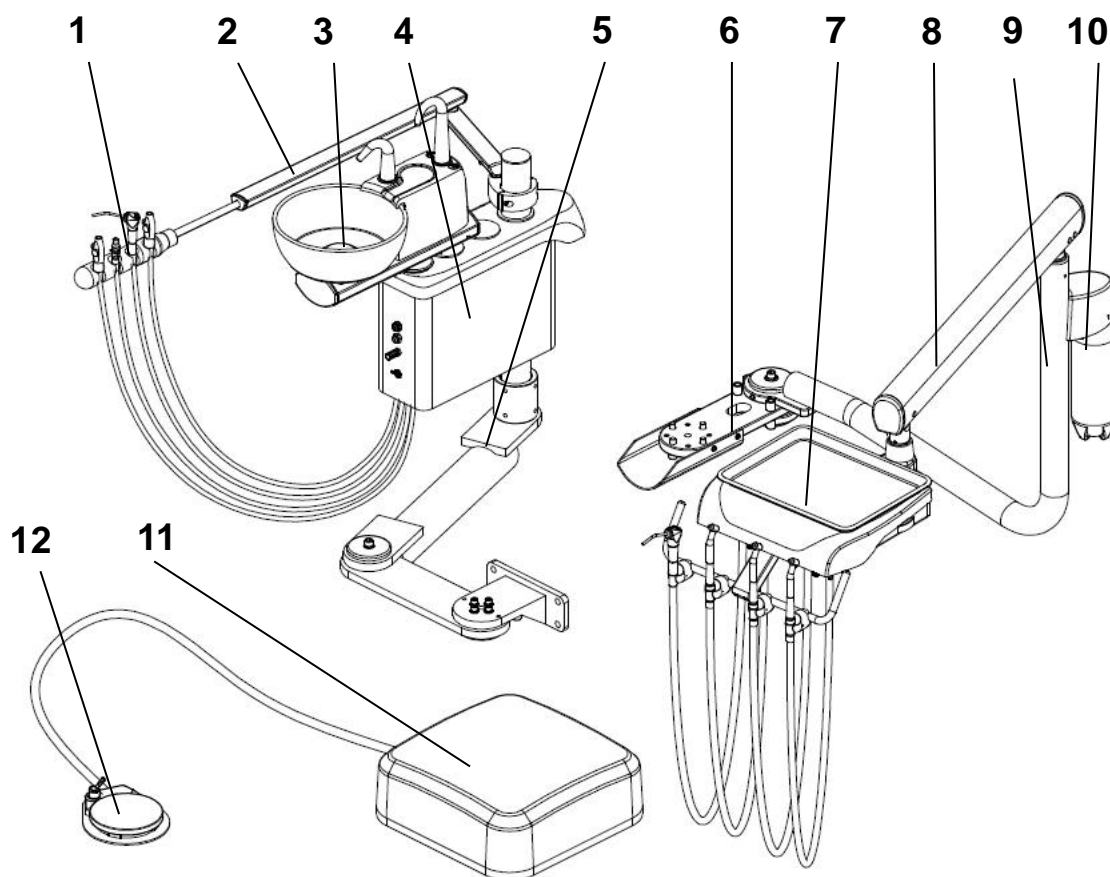
Symbols	Explanations
 Manufacturer	 EU Representative
 Manufacturing Date	 Serial Number
 Handle with Care	 Keep Dry

Symbols	Explanations
 Refer to Instructions	 Caution!
 Refer to Attached Document.	 Backrest down
 Avoid Electric Shock	 Backrest up
 Ground Protection	 Chair down
 Setup Button	 Chair up
 Spitting position	 Program chair position 1
 Program chair position 2	 Program chair position 3

2 Compositions

The system is composed by following components.

Figure 1 Delivery system

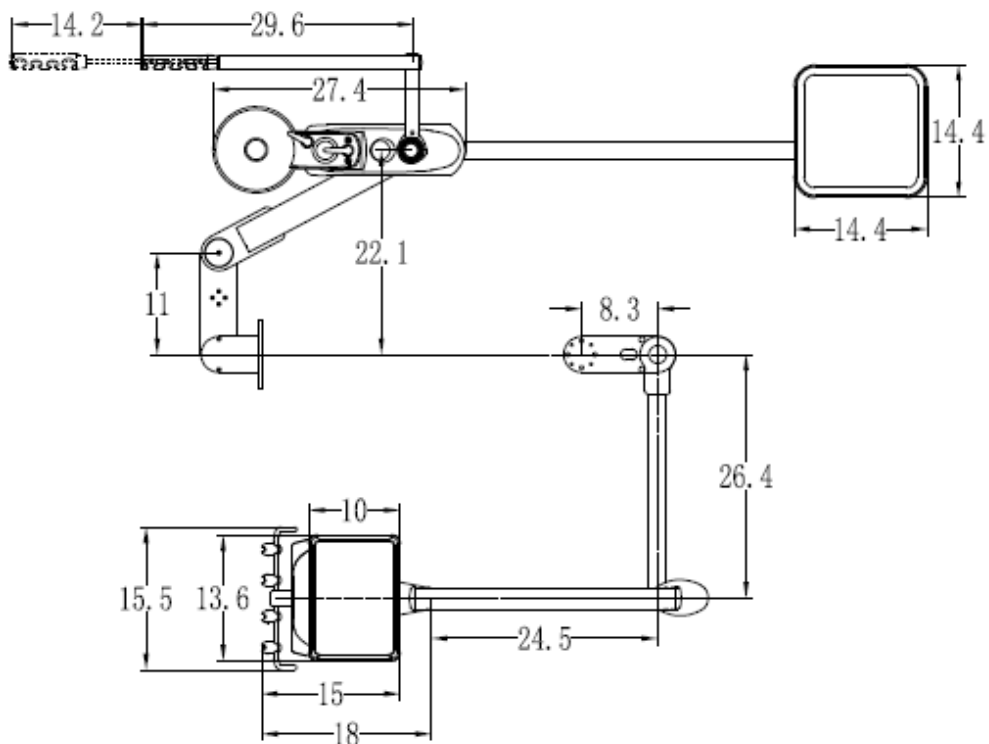
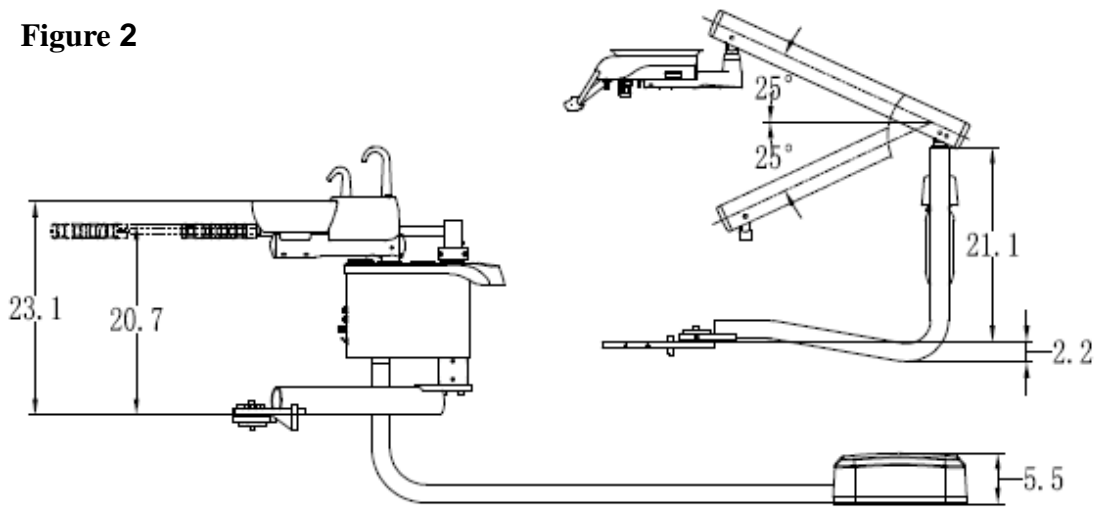


Item	Component	Item	Component
1	Assistant's control	7	Delivery head
2	Assistant arm	8	Level arm
3	Cuspidor	9	Rotary arm
4	Water unit	10	Water bottle
5	Connection arm of water unit	11	Junction box
6	Adapter	12	Foot control

3 Dimensions

Size:inch

Figure 2



4 Specifications

Table 2

Light illuminance	8000-40000 Lux
Maximum load of Dentist Unit tray	2.5kg
Ambient temperature	5 °C ~ 40 °C
Air supply pressure	72.5psi~101.5psi
Water supply pressure	29~58psi

5 Preparations

5.1 Attentions



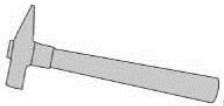
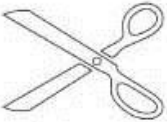
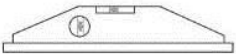





Before install the unit, you should:

- Confirm the floor construction is safety to support the chair and clean.
- Apply two manually operated valves for the air and water source.
- Exhaust the dirty water and air before connecting.
- **Before install the unit, please read the manual carefully:**
- Input voltage **AC 110V**, 60Hz。
- Make sure the dental unit is well-grounded.
- All the electrical components and connections should be made by an authorized technician.
- Only fuse and accessories recognized by ADS technician can be used.
- This device should not operate in the environment of high temperature, high humidity, vibration flammability, unbalance, or dusty.
- Only the authorized spare parts can be used in this device.
- This device can not be used in the environment of strong magnetic, electromagnetic.

5. 2 Tools recommended

The tools and instruments need to prepare before installation.

Table 3

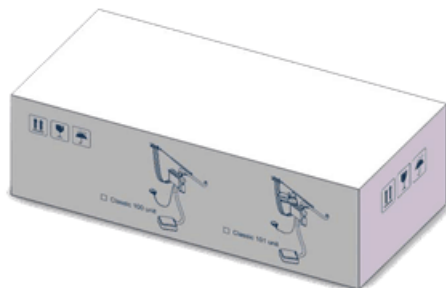
	Electrical drill		Pincers
	Hammer		Scissors
	Leveling instrument		Flat-bladed Screw driver
	Phillip screw driver		Allen wrench
	Spanner		Hexagon socket wrench

5. 3 Installation sequence

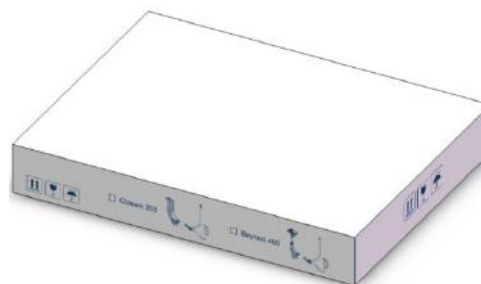
Installation modules of Classic201 system. Install the modules in following sequence.

Figure 3

1 Water unit box



2 Compass arm set



3 Classic dentist unit



4 Dental light unit



5 Junction box unit



Notice:
Each box contains all the parts that belong to the module .

6 Installation

It is necessary to check whether the system and its accessories are damaged after unpacking. In addition, please check all accessories according to the accessories list. Install the system in the following steps:

6.1 Install the water unit

Default installation method (Water unit is installed to the left of the patient)

1. Before installing the water unit, take out the screw (Socket head set screw of M6*30) on the connection arm (figure A), and let the connection arm 18° rotating outward.

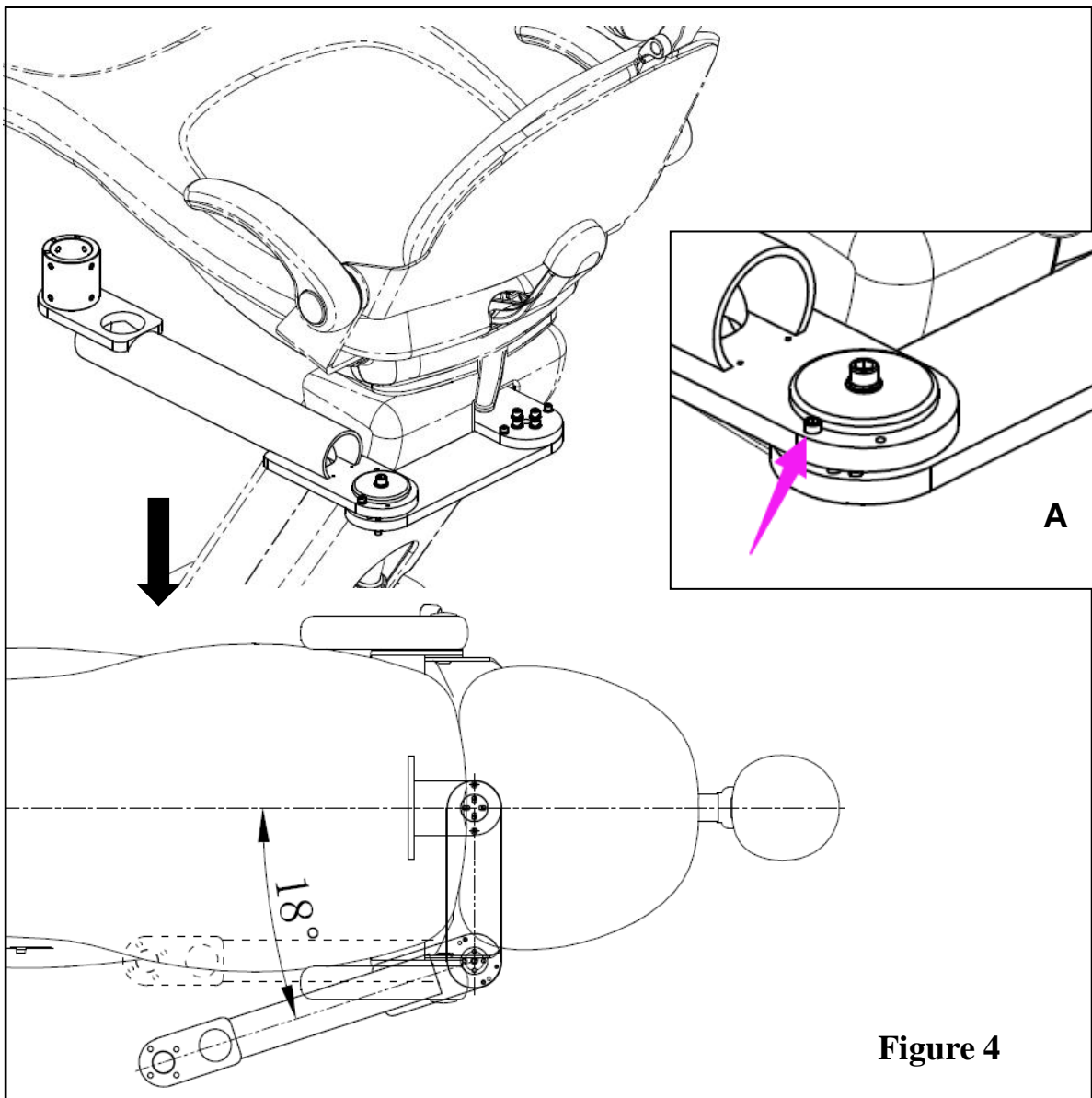


Figure 4

Installation Manual of Classic201 Delivery System

2. Lock the Socket head set screw of M6*30 from bottom to top (figure B); The other one also needs to be locked (figure C).

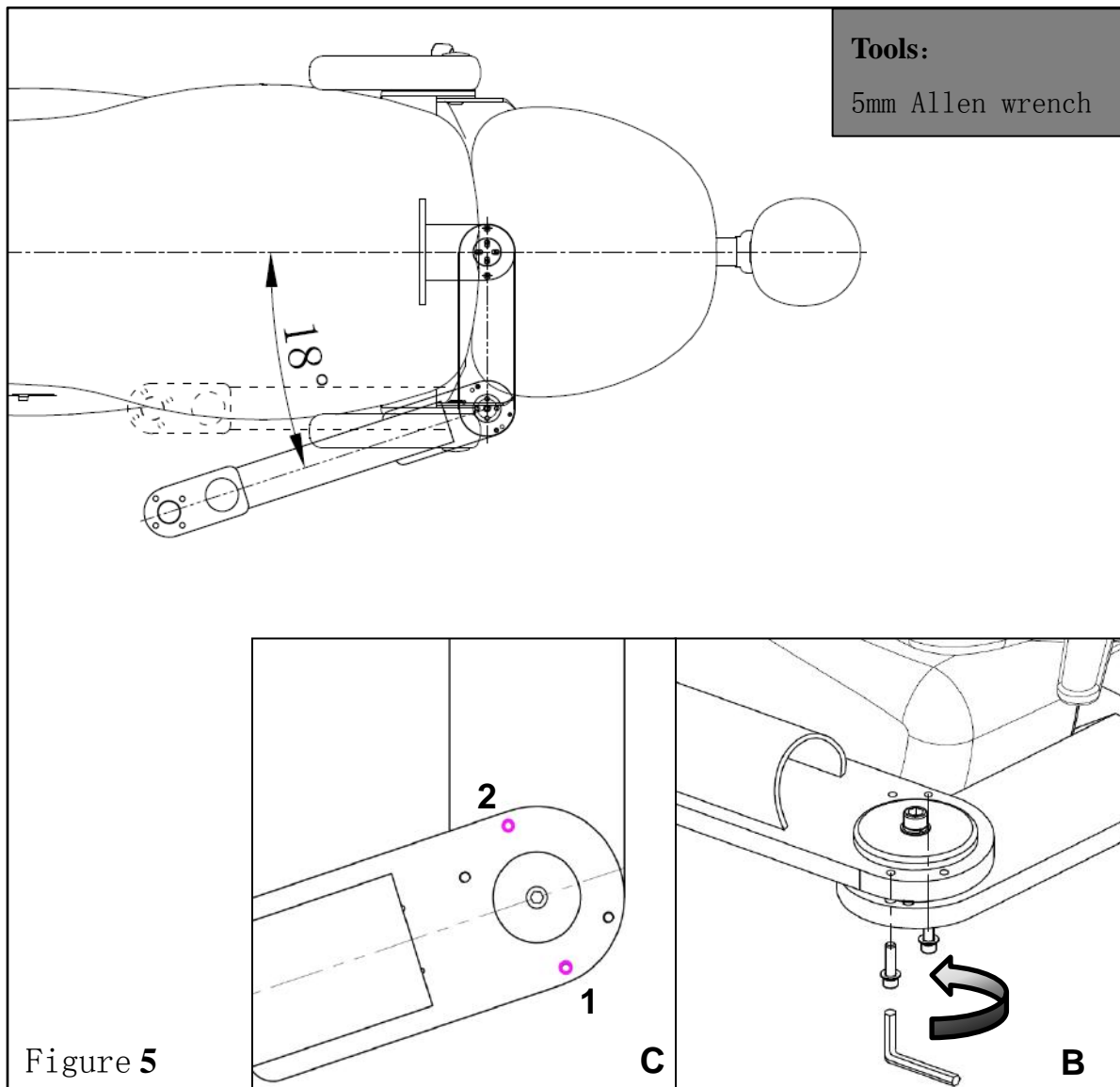


Figure 5

C

B

3. Put the water unit on the seat of the chair.

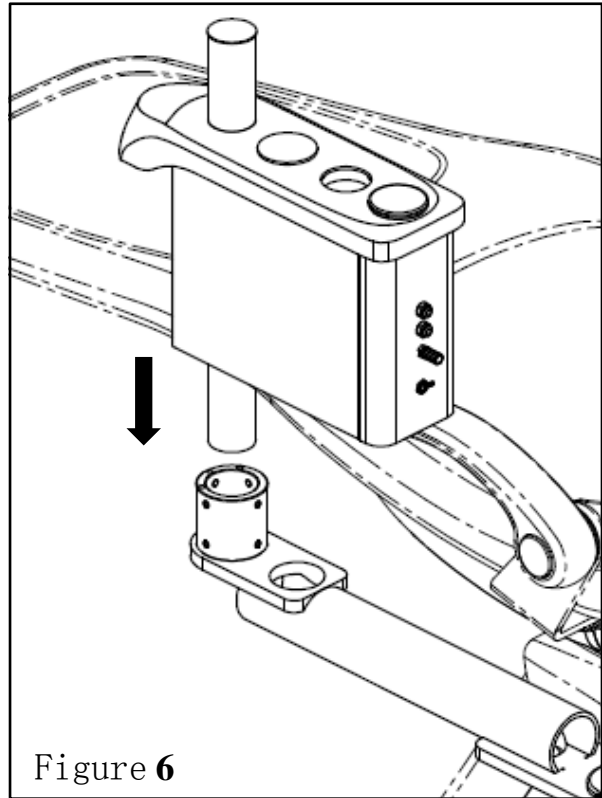


Figure 6

4. Level the water unit with a level ruler, and lock 8 pcs Soket head set screw of M8*10 on the seat.

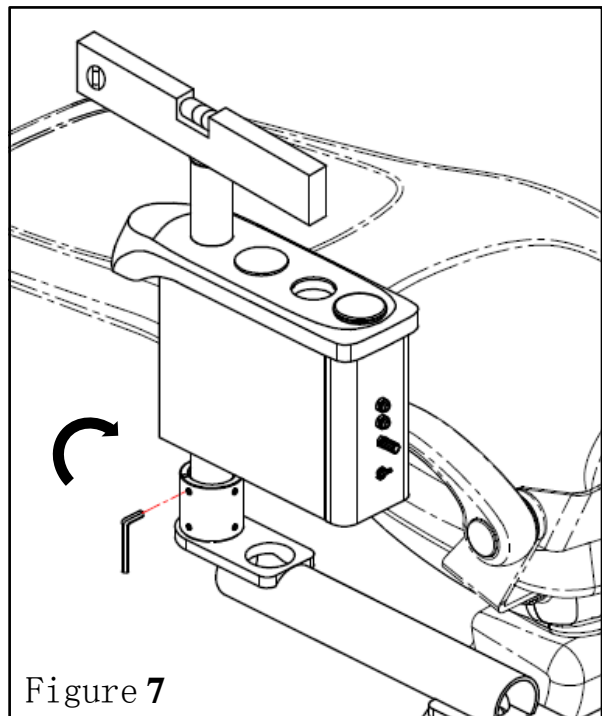
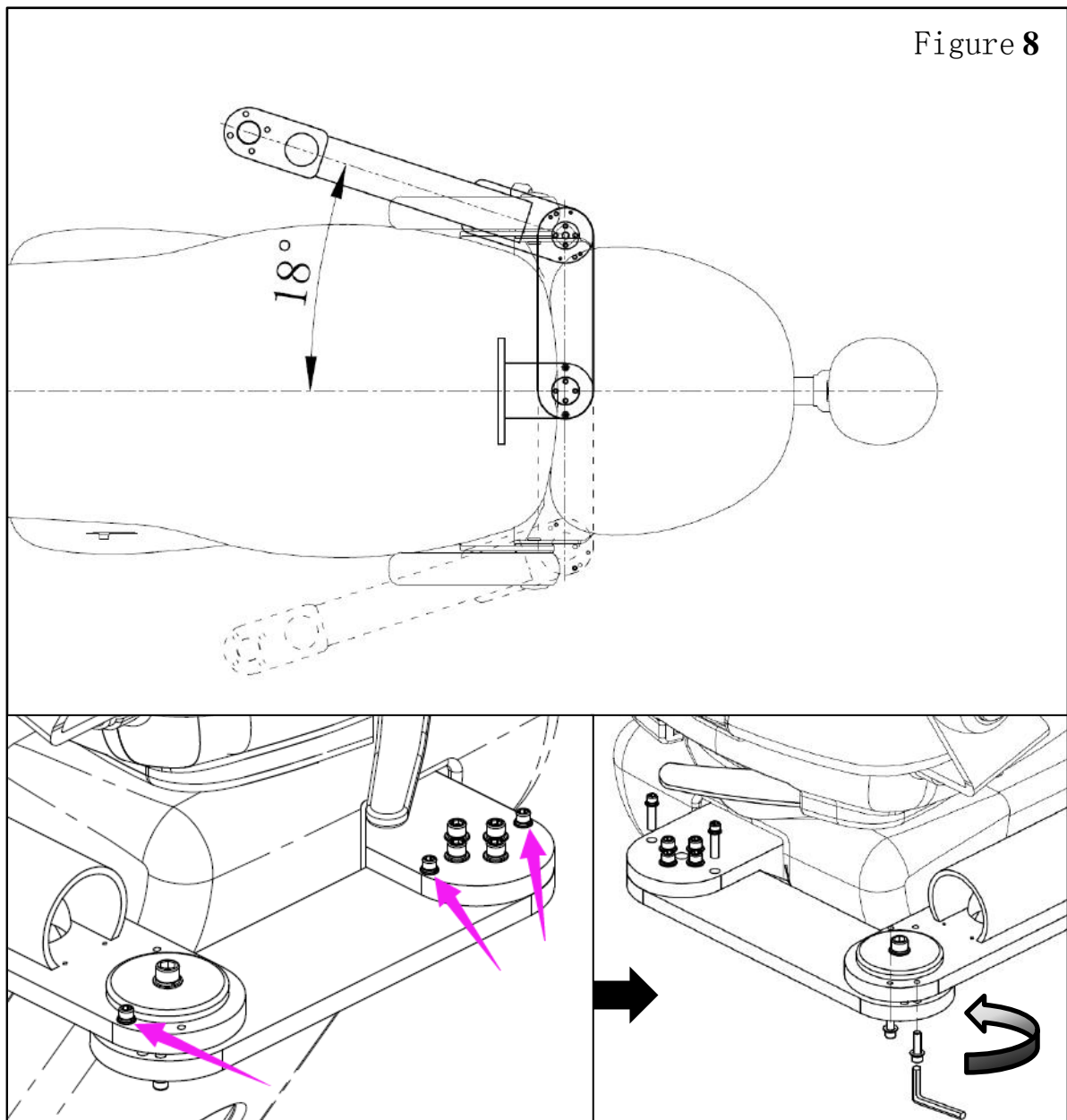


Figure 7

Installation Manual of Classic201 Delivery System

Installation method 1 which water unit is installed to the right of the patient (Before installing the water unit)

- 1.If you need to install the water unit in the right hand side, you need to loosen the screws on the mount, adjust the arm to the right hand side and lock the screws.
- 2.Refer to the previous page to install the water unit.



Installation method 2 which water unit is installed to the right of the patient(The water unit has been installed)

If you need to change the water unit to the right hand side, you need to loosen the screws on the mounting seat, adjust the rotating arm to the right hand side and then lock the screws.

1. Loosen the screws as shown.

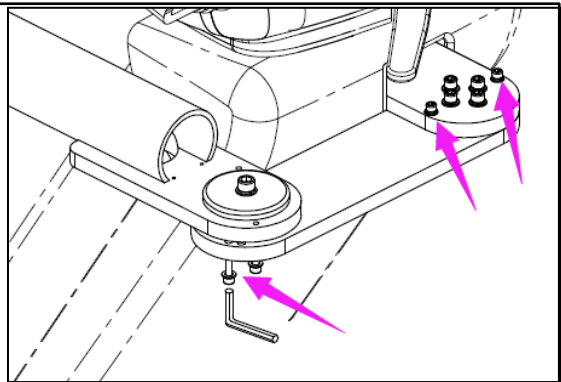


Figure 9

2. Rotate the arm as shown.

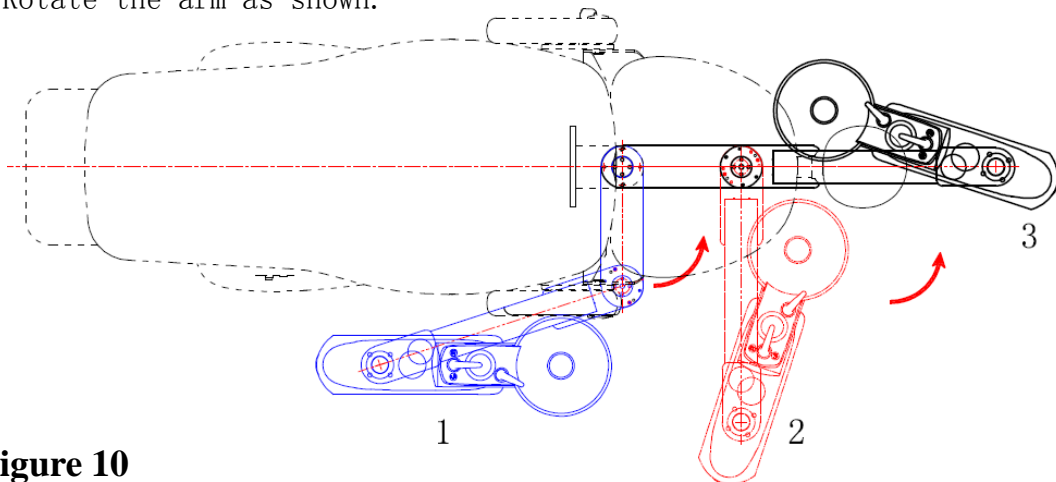


Figure 10

3. Loosen lock screw of water unit.

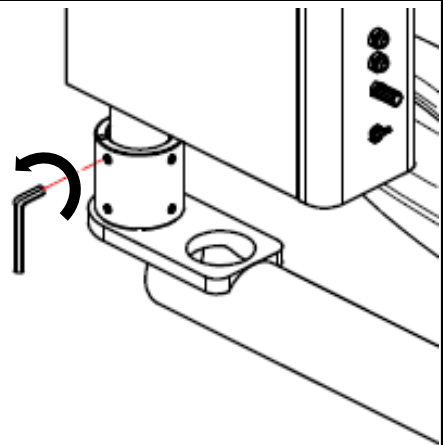


Figure 11

4. Rotate the box as shown.

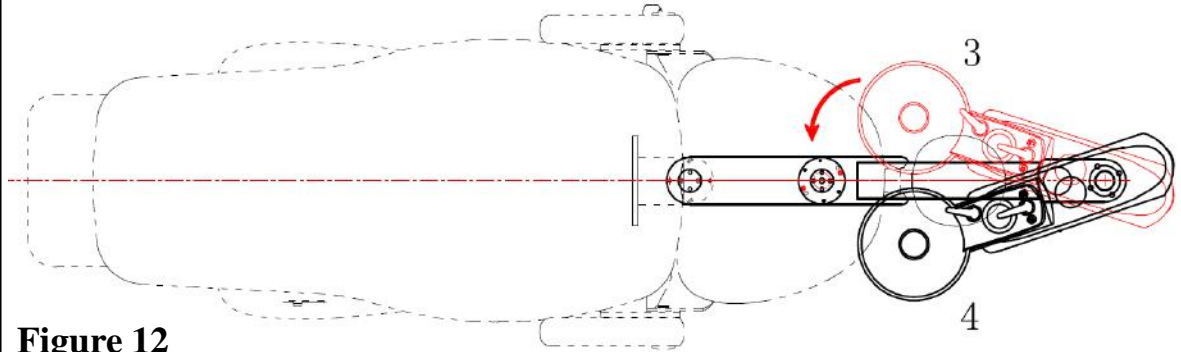


Figure 12

5. As shown, rotate the connecting arm to the appropriate use position.

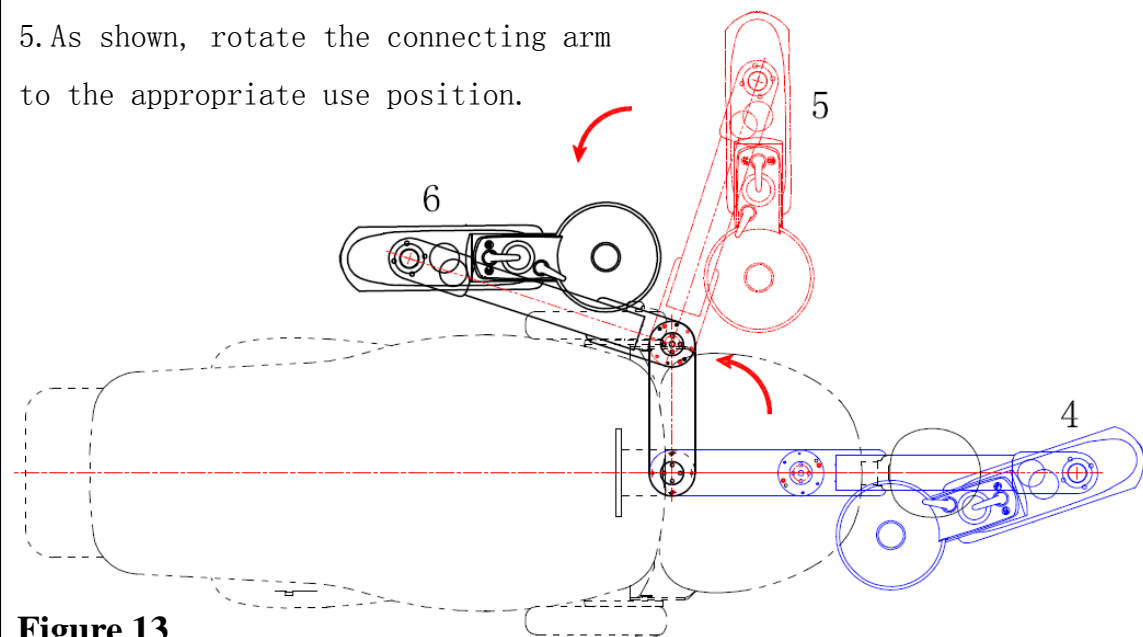


Figure 13

6. Tighten the screws on the connecting arm and the screws on the water unit.

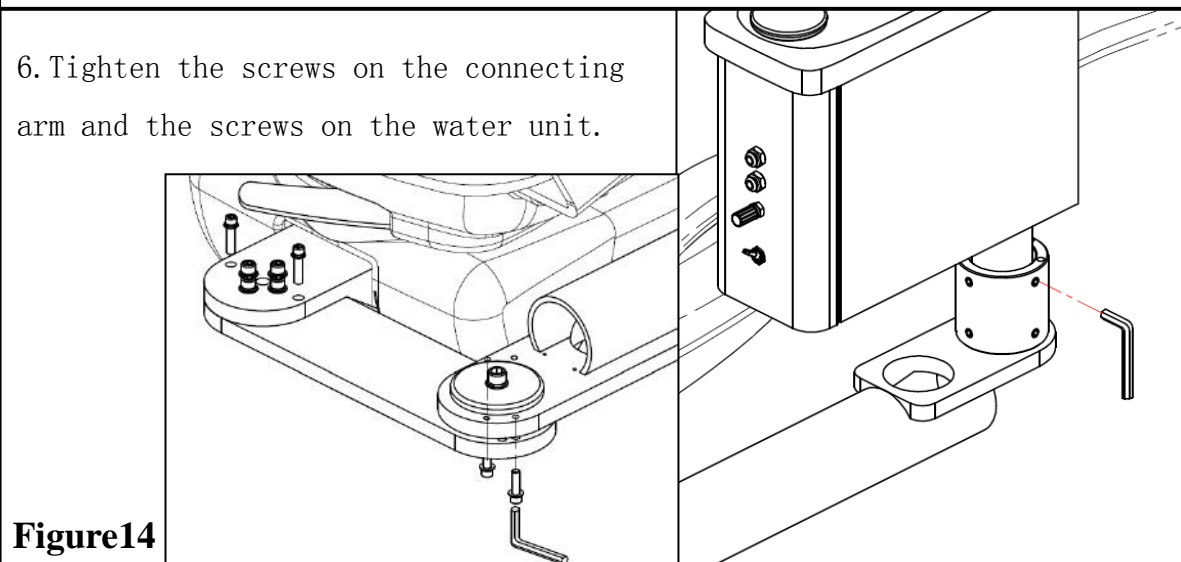


Figure 14

6.2 Install assistant's control

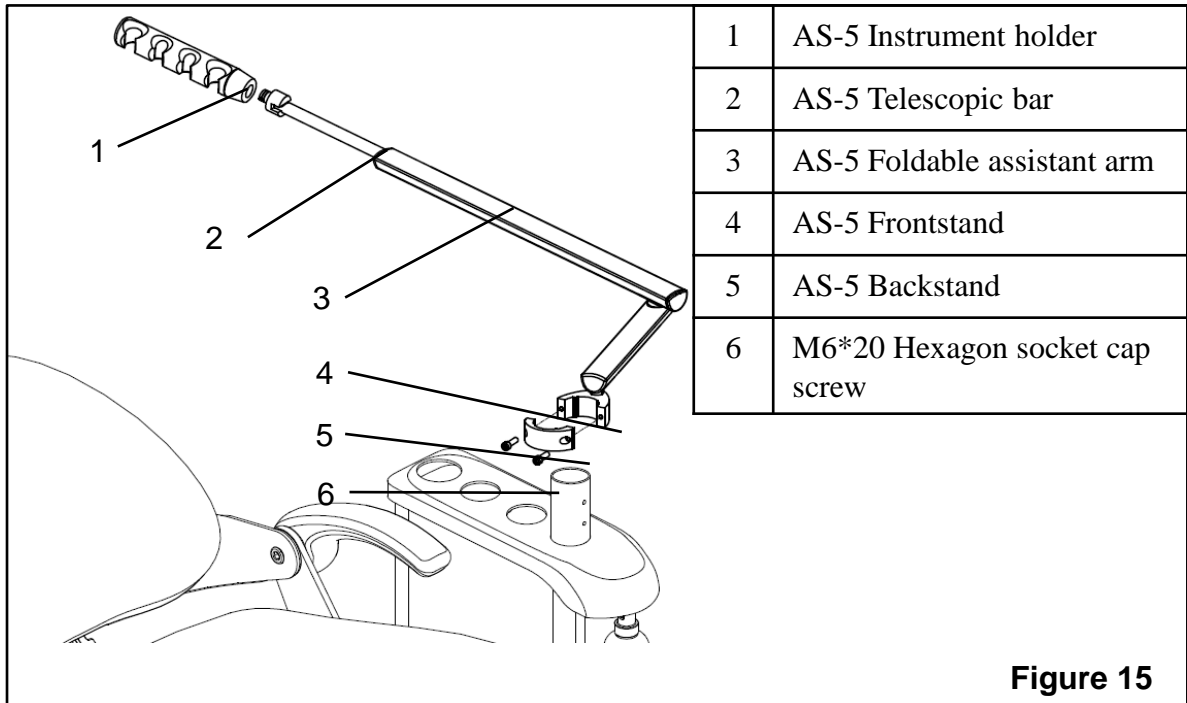
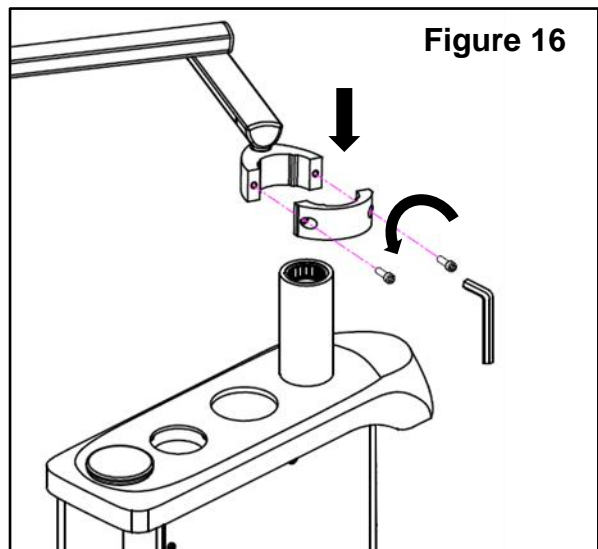


Figure 8 The installation steps 1

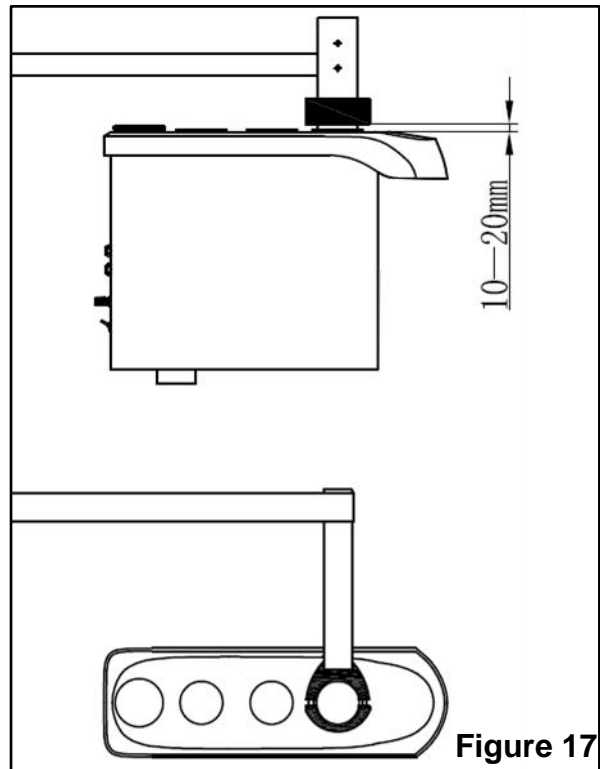
1. Take out the assistant unit from the carton, loosen the screws counterclockwise to divide the frontstand and backstand so that the arm can be installed on the post of the side box.

Tools:

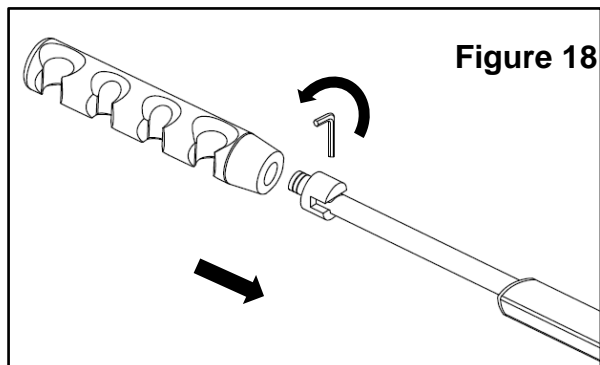
5mm Allen wrench



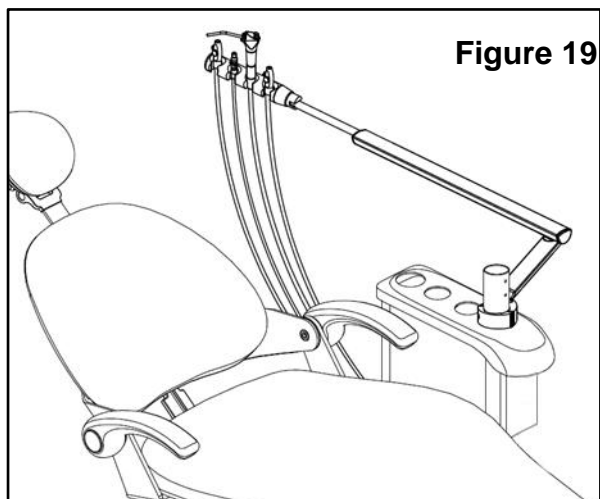
2. The height of the frontstand and backstand to the top surface of water unit should be 10~20mm; tighten the screw in clockwise.



3. Insert Instrument holder into mounting shaft and lock fastening screw.



4. Put the HVE & SE valves and 3-way syringe to the holder.

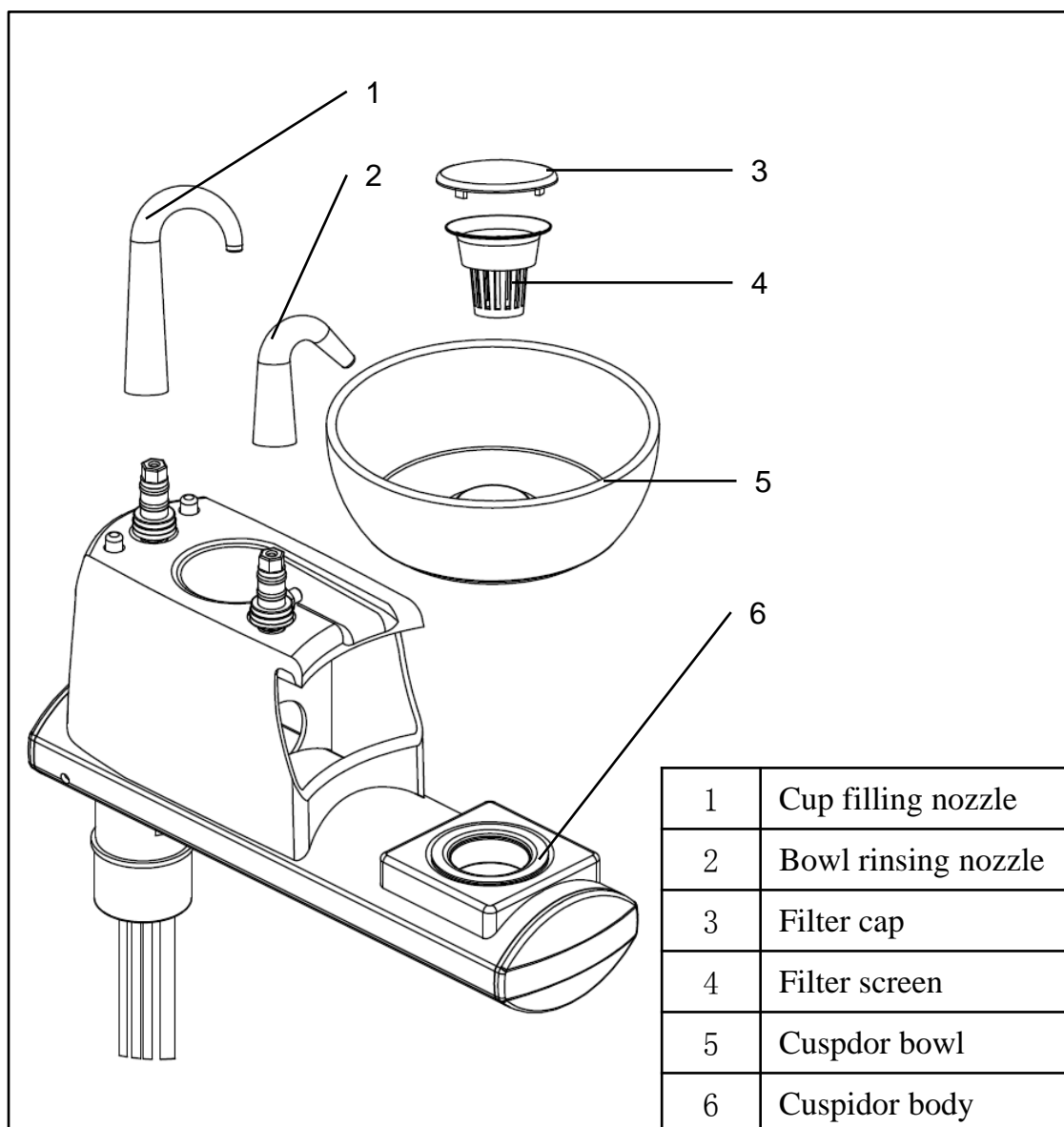


6.3 Install the cuspidor

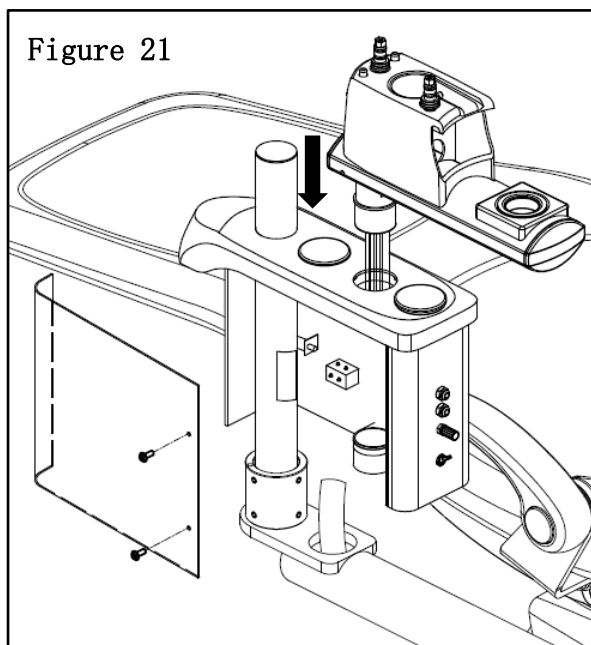


Note: Please ignore this step if there is no cuspidor configuration.

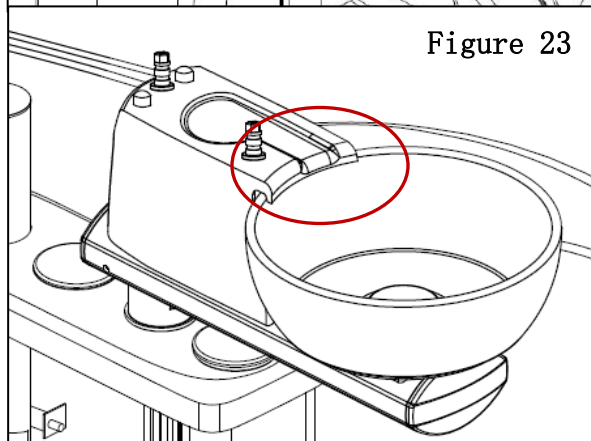
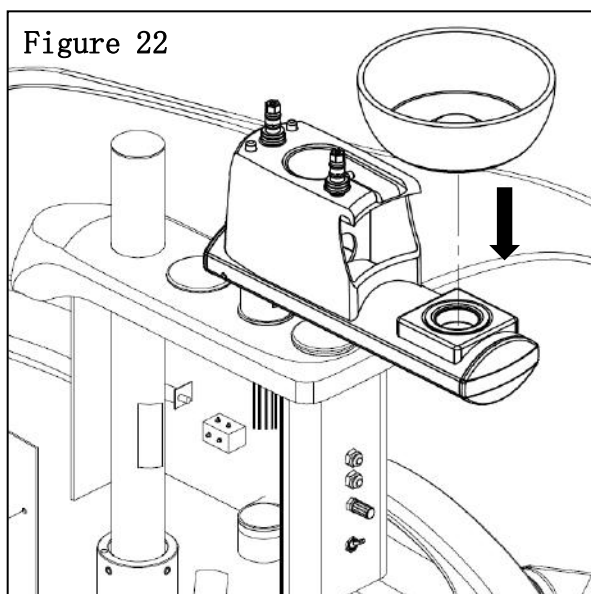
Figure 20 Cuspidor composition



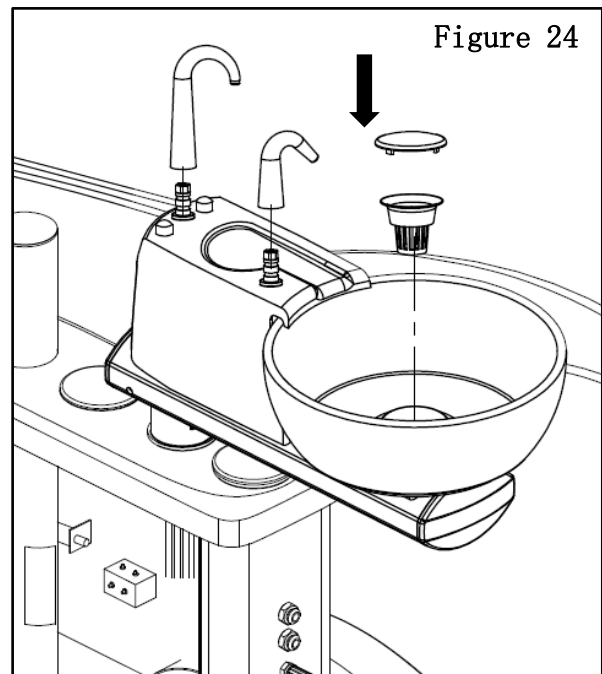
1. Let the tubes pass through the cosmetic ring and the mounting hole, mount the cuspidor body to the mounting hole on the water unit.



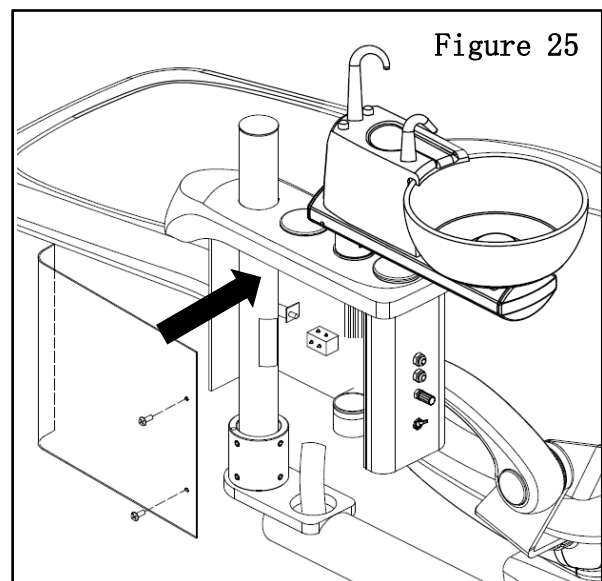
2. Put the cuspidor onto the cuspidor body and let the shell of the cuspidor body stick the edge of the cylinder.



3. Install filling pipe, rinsing pipe, cuspidor cover and strainer as shown.

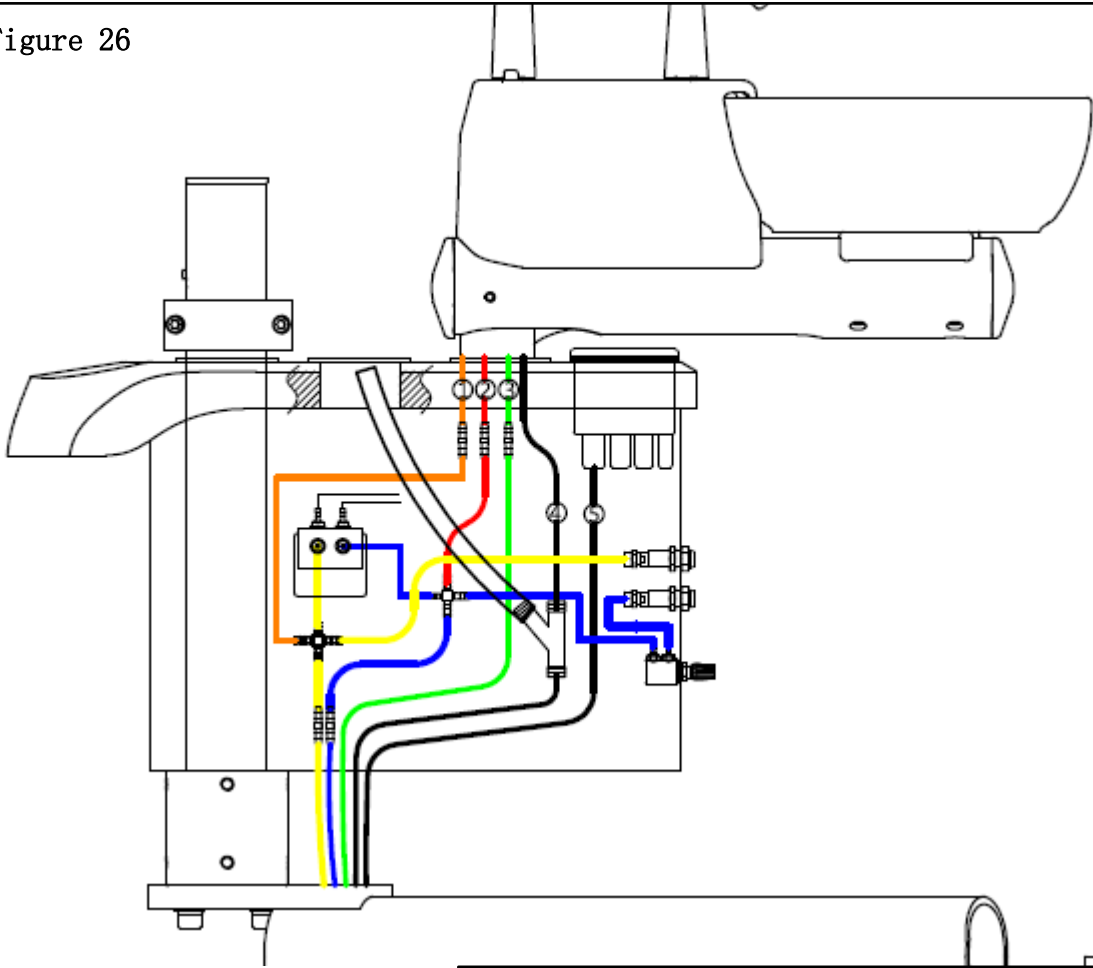


4. Connect the pipe and close the door of water unit. (line connection please see the next page)



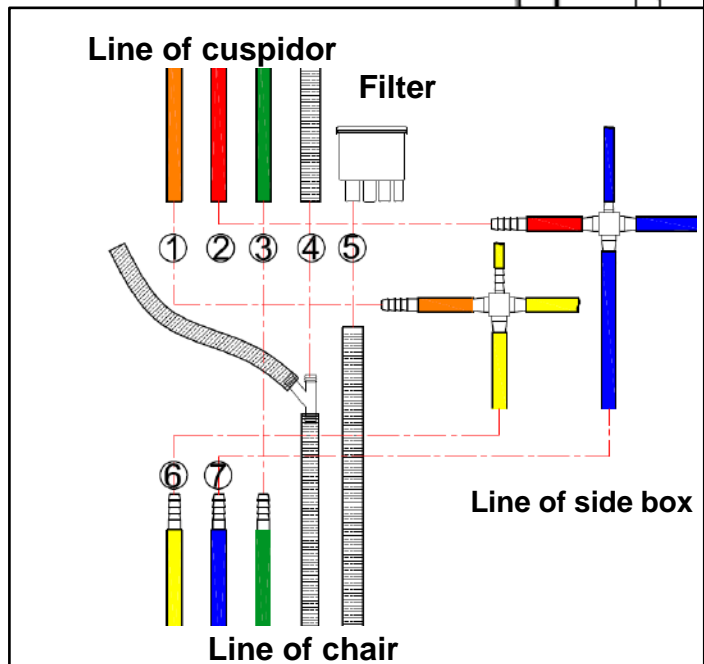
3. Line connection

Figure 26



1. 1/4" Orange, connect to cuspidor
2. 1/4" Red, connect to cuspidor
3. 1/4" Green, connect to cuspidor
4. Drainage pipe, connect to cuspidor
5. Drainage pipe, connect to filter
6. 1/4" Yellow, connect to side box
7. 1/4" Blue, connect to side box

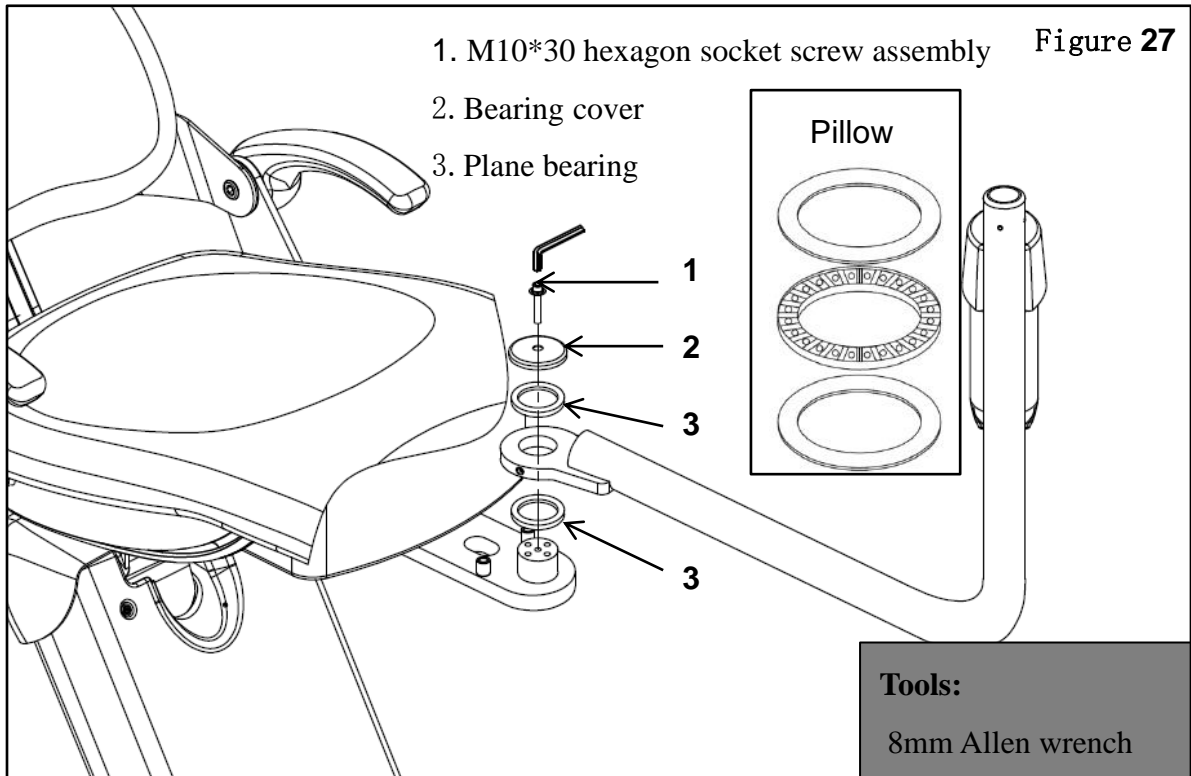
Note: the cuspidor inlet pipe should be inserted into the aluminum socket of the side box.



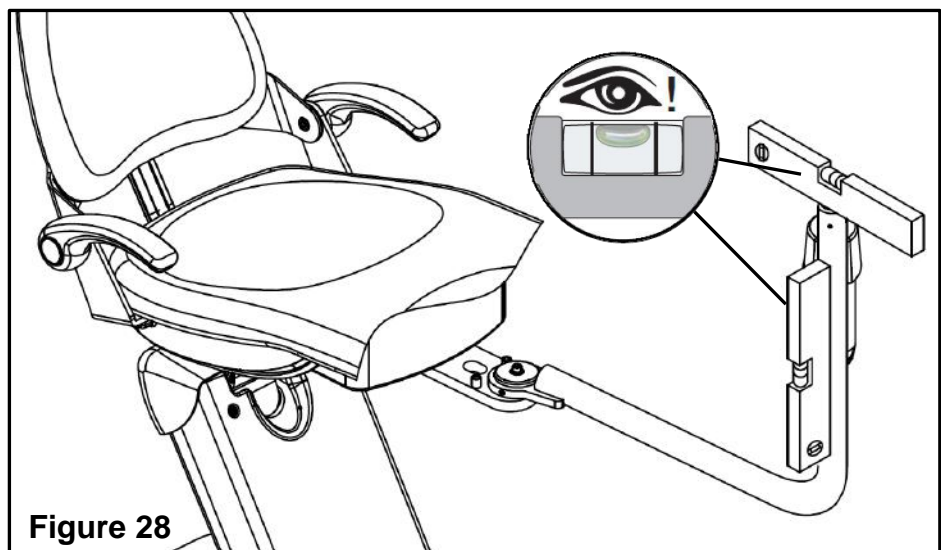
6.4 Installation of delivery system

6.4.1 Install the rotary arm

1. Release the M10*30 screw of the connecting plate, mount the rotary arm to the front mounted connecting plate as the figure shown, then fasten the screw.



2. Assure the levelness of the rotary by regulating the four screws on the connecting plate.



6. 4. 2 Install dentist unit

Compositions of dentist unit

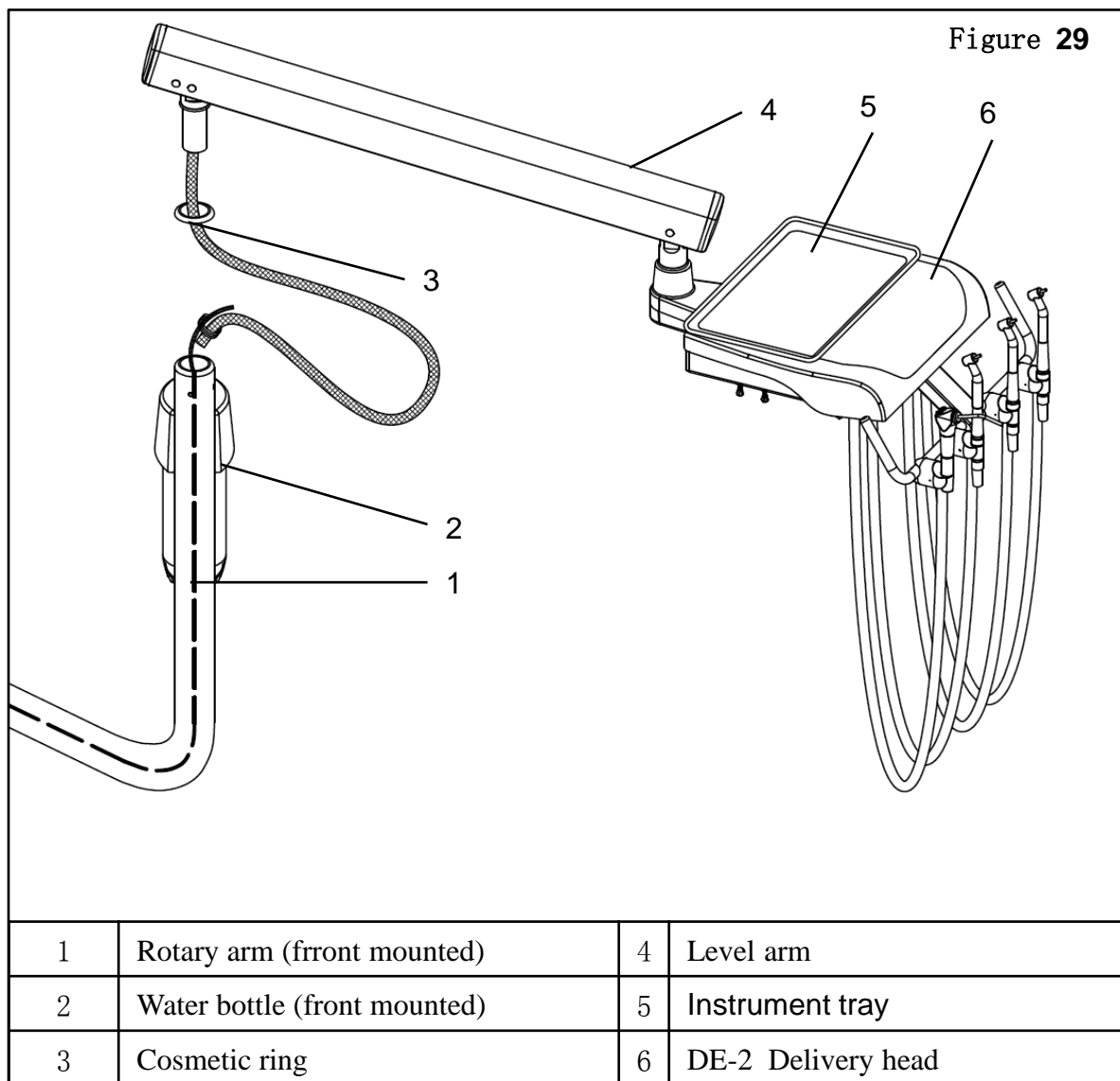
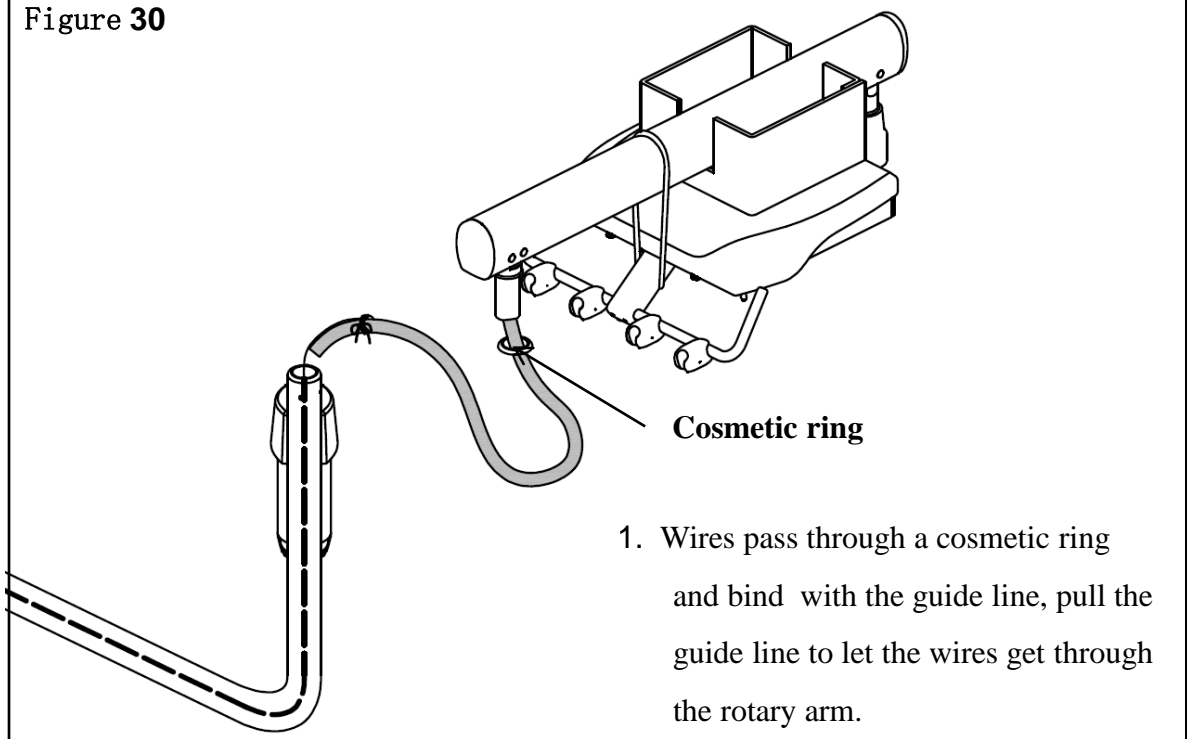


Figure 30



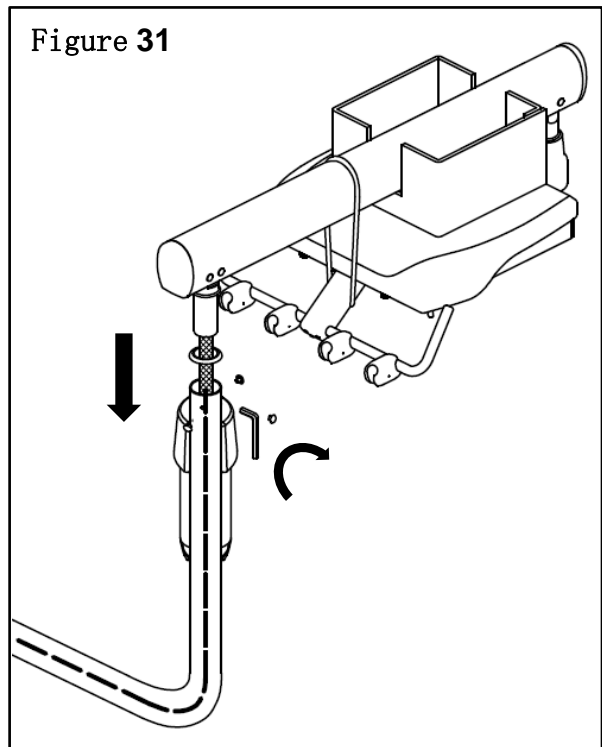
2. Install the unit to the rotary arm, fix it with three M6*8 screws and insert the screw caps. Remove the wrappages after finish this step .

Note: Tightness of the M6 screw influences damping force of the level arm.

Tools:

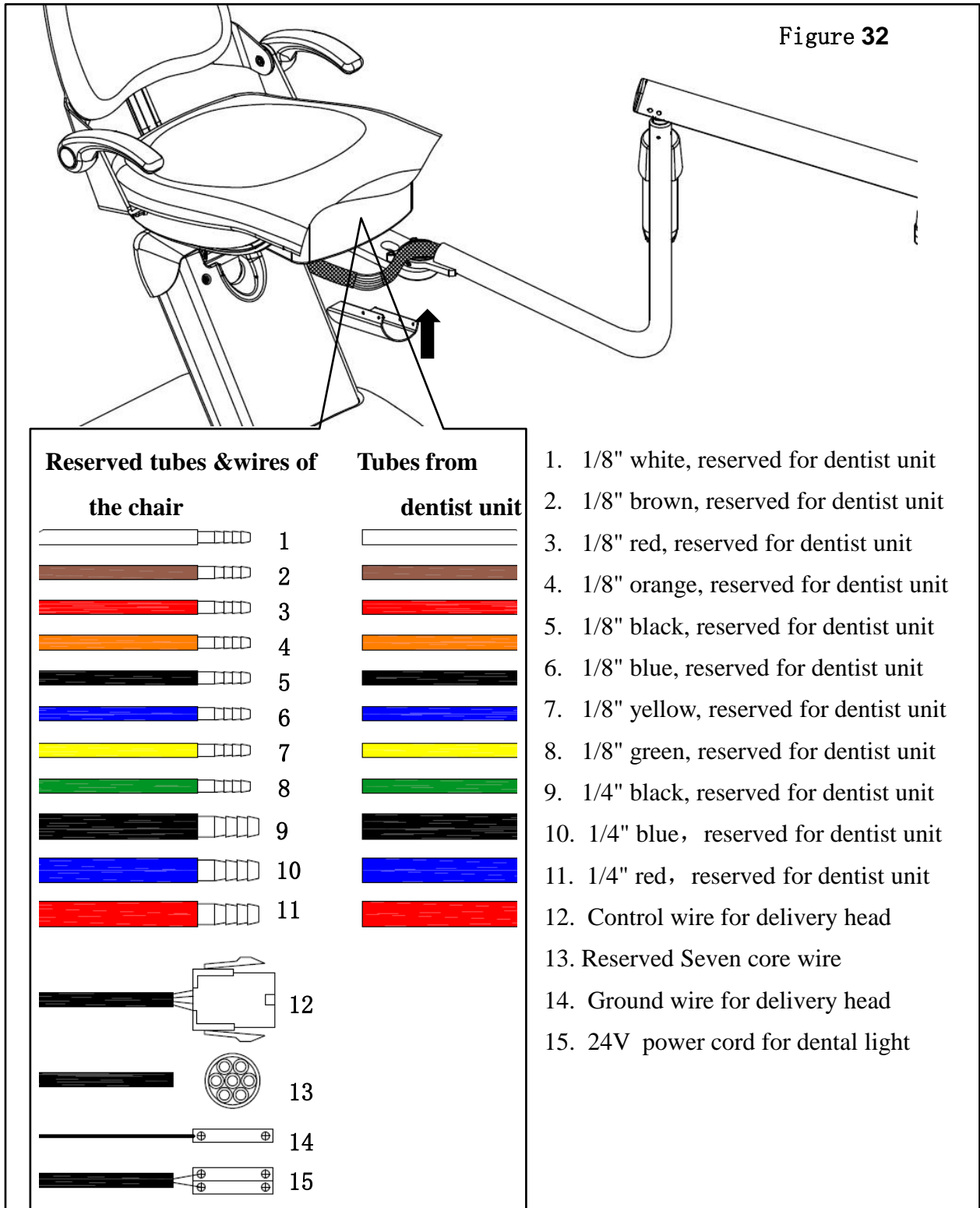
3mm Allen wrench

Figure 31



Installation Manual of Classic201 Delivery System

3. The tubes of the dentist unit and those reserved of the chair shall be connected by color, and close the cover after connection. Ignore the reserved wires, you have no need to connect them for there's no control panel on delivery head.



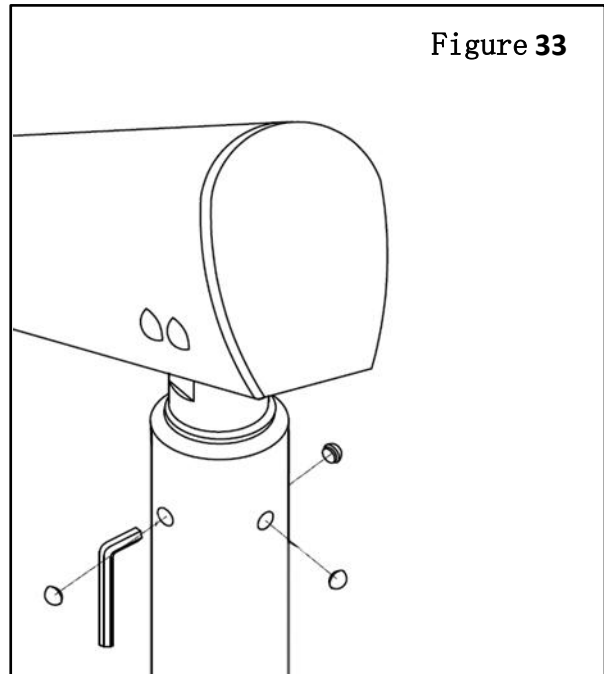
6. 4. 3 Adjust the level arm

1. Remove the screw caps, change the tightness of the screws to adjust the damping force of level arm.

Note: Loosen the screws in counterclockwise, tighten in clockwise.

Tools:

3mm Allen wrench

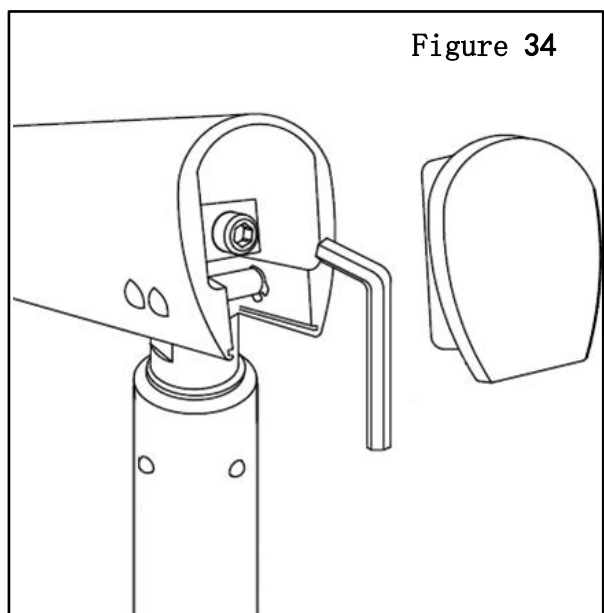


2. Remove the end cover of level arm, adjust the tightness of the screw to get suitable balance force.

Note: Loosen the screws in counterclockwise, tighten in clockwise.

Tools:

5mm Allen wrench

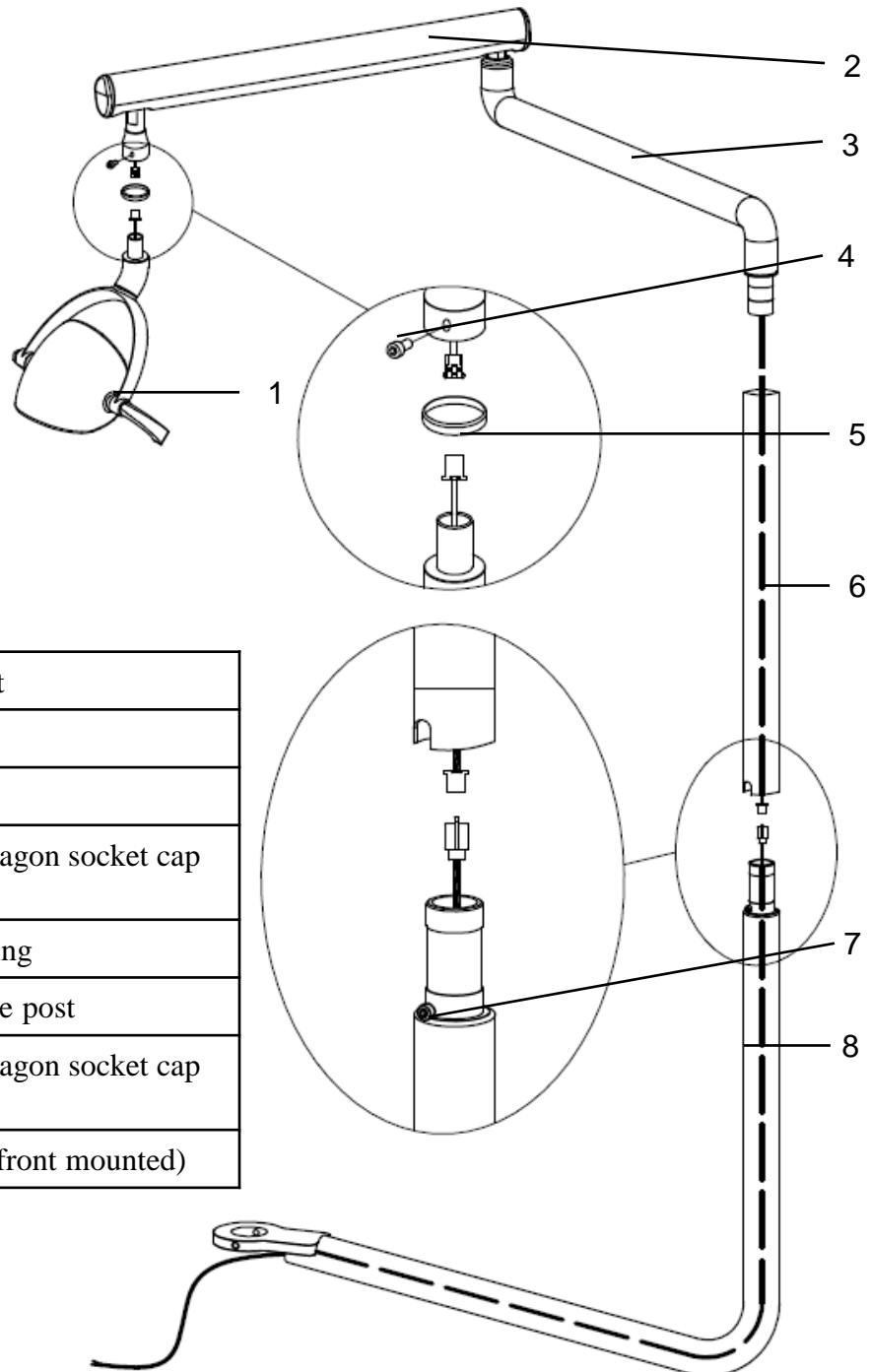


6.5 Install dental light (optional)



Notice: Please ignore this step if there is no lamp configuration.

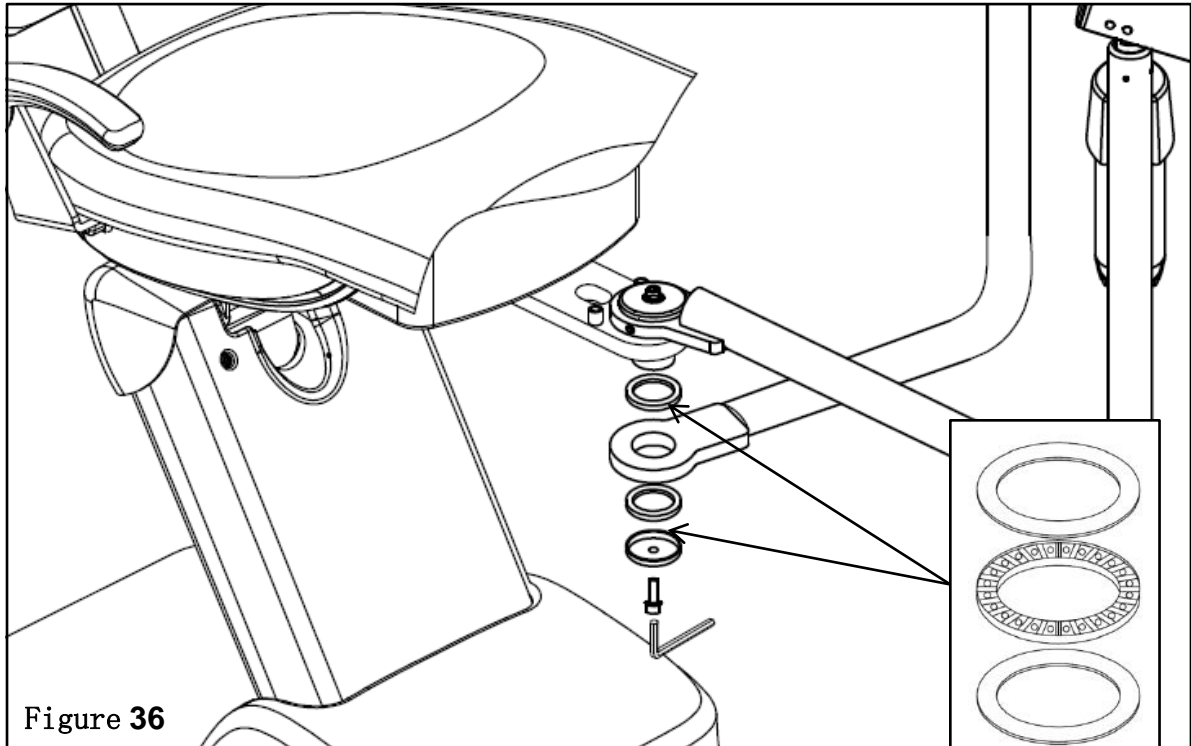
Figure 35



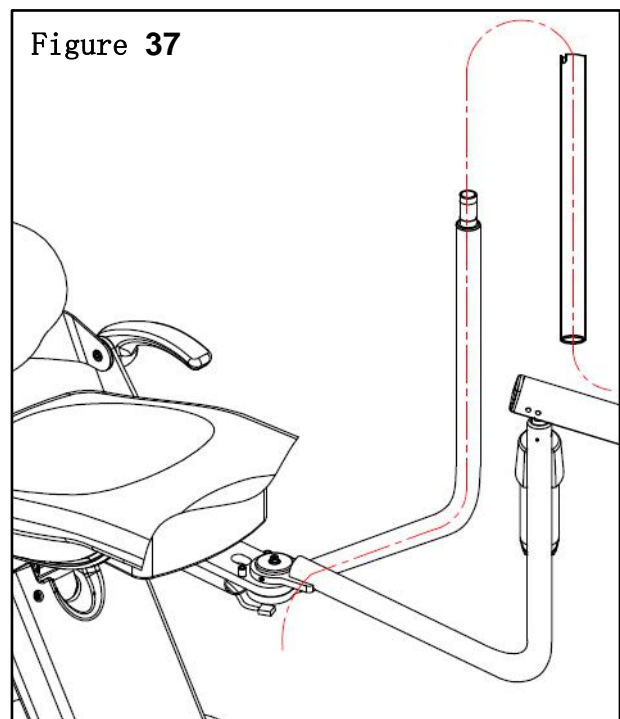
1	Dental light
2	Level arm
3	Rotary arm
4	M5*12 hexagon socket cap screw
5	Cosmetic ring
6	Intermediate post
7	M5*10 hexagon socket cap screw
8	Lamp arm(front mounted)

Installation Manual of Classic201 Delivery System

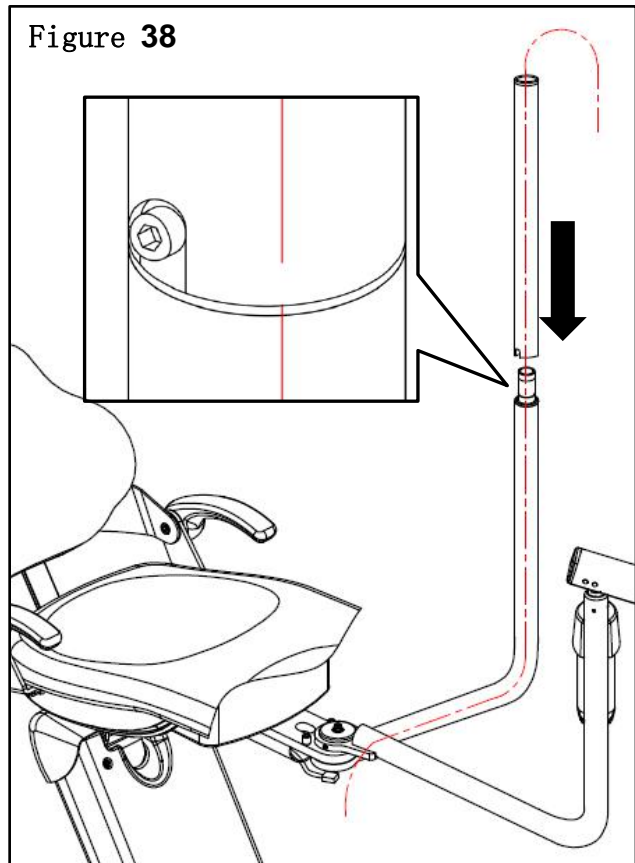
1. Release the M10*30 screw of the connecting plate, mount the lamp arm to the front mounted connecting plate as the figure shown, then fasten the screw.



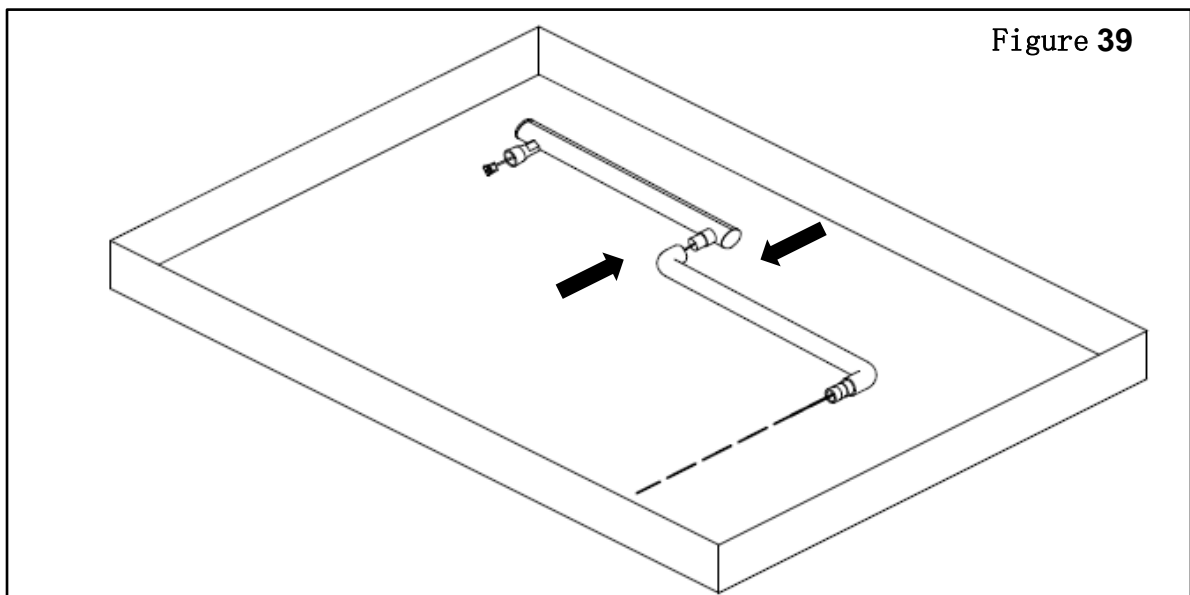
2. Let the guide line route through the intermediate post as the figure shown, the post end which has a jag should be upward.



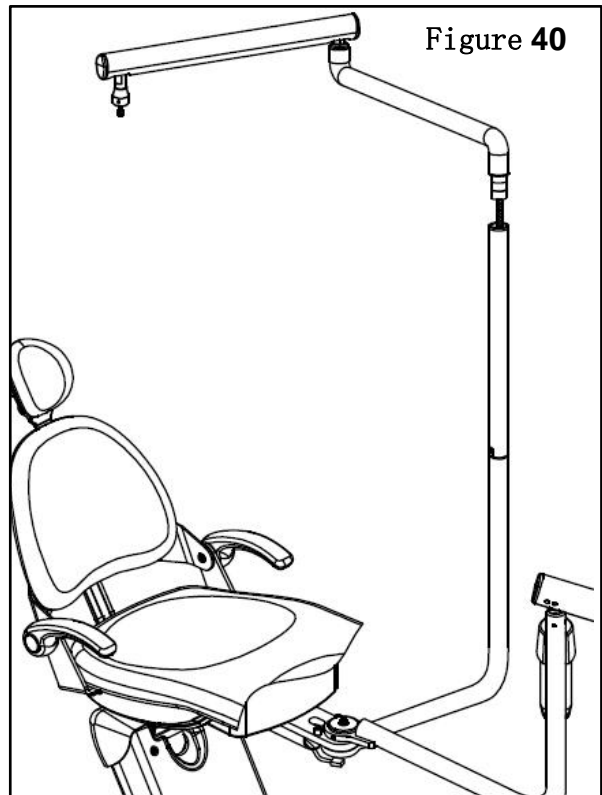
3. Joint the intermediate post and the rotary arm, the jag on the post is screw position.



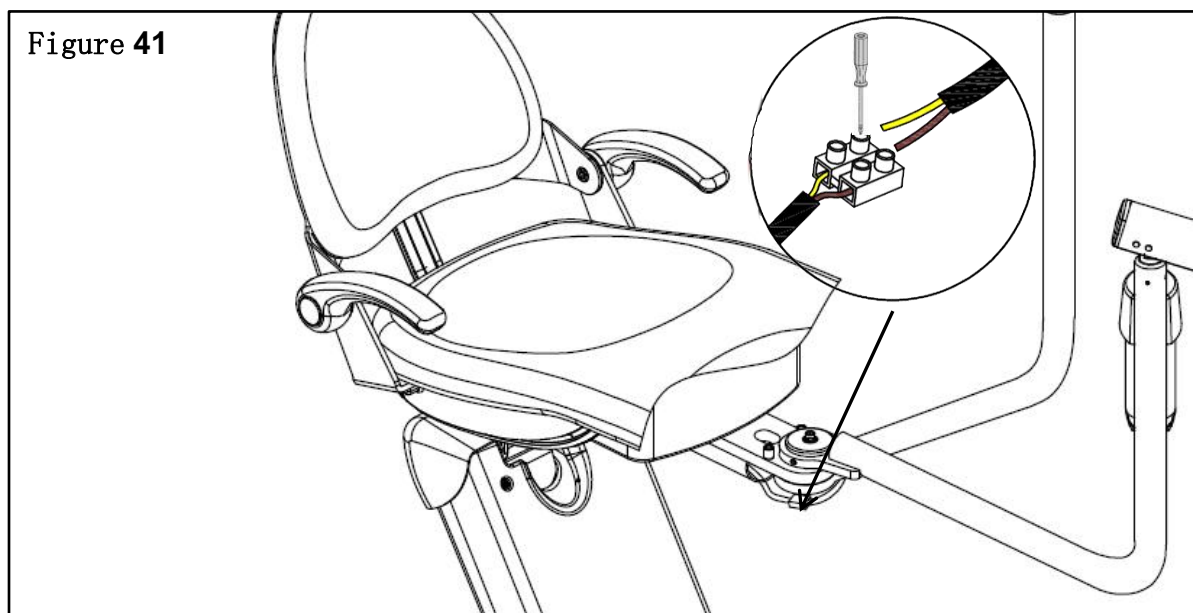
4. Joint the level arm and the rotary arm, take them out from the carton.



5. Tie the light wire and the guide line together, pull the guide line to lead the wire pass through the post and the lamp arm.



6. Connect the light wires and the reserved wires brown to brown, yellow to blue.



7. Take out the lamp from the package, pass the wire through the cosmetic ring and connect the wire terminals, then joint the light head and the level arm together, fully fasten with a M5*12 screw.

Note: Hold the lamp , do not drop it to avoid damage.

Tools:

4mm Allen wrench

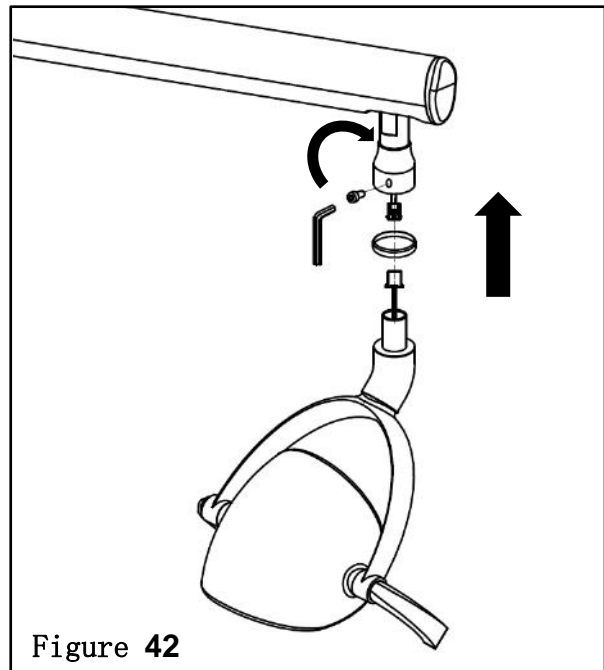


Figure 42

6. 6 Install foot control

1. Pass the foot tube over the side of hydraulic pump, fix the tube by clips.

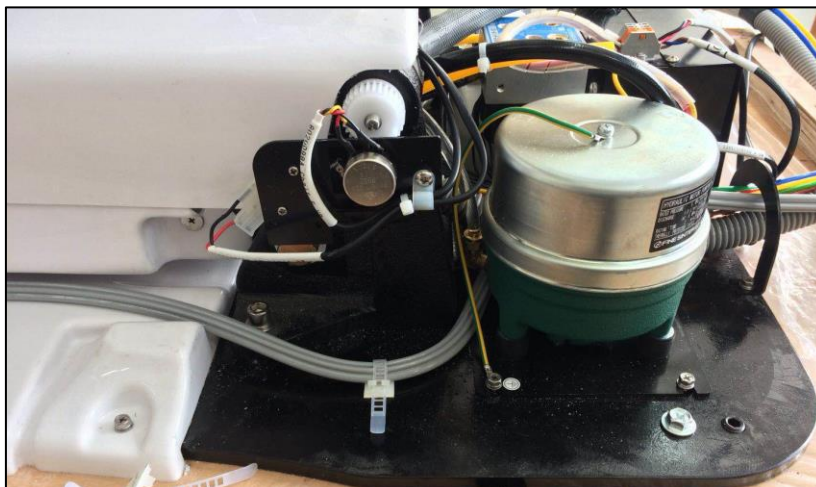


Figure 43

2. Bind the front part of the foot tube and the tube bundle together with zip ties.



Figure 44

3. The other end of the foot tube shall reach out from the side of front shell .



Figure 45

6. 7 Junction box connection

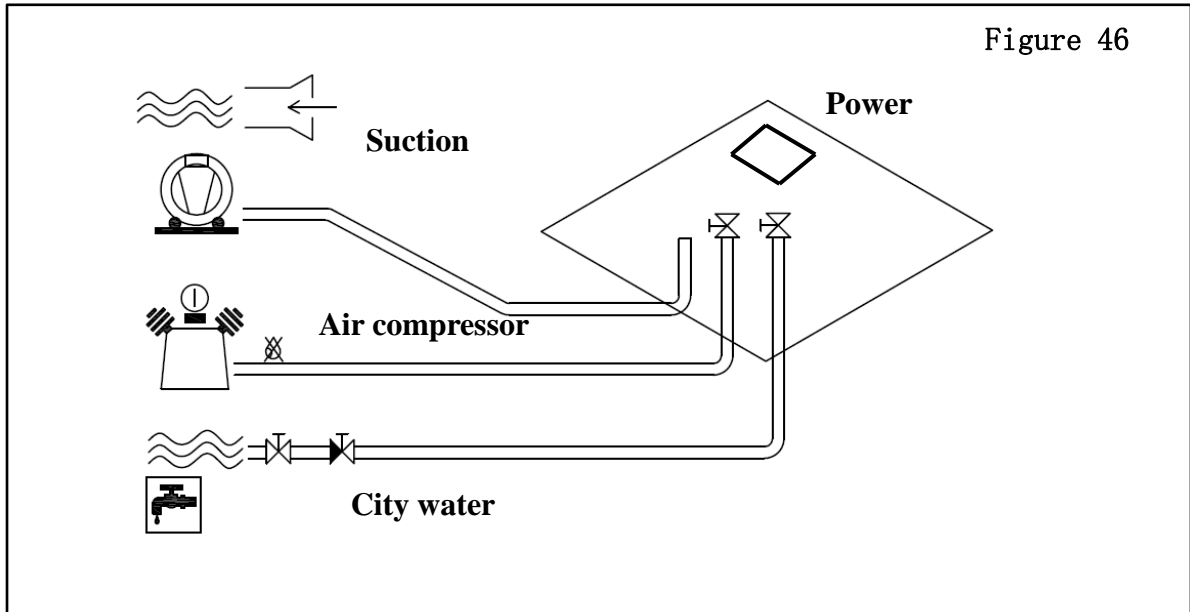
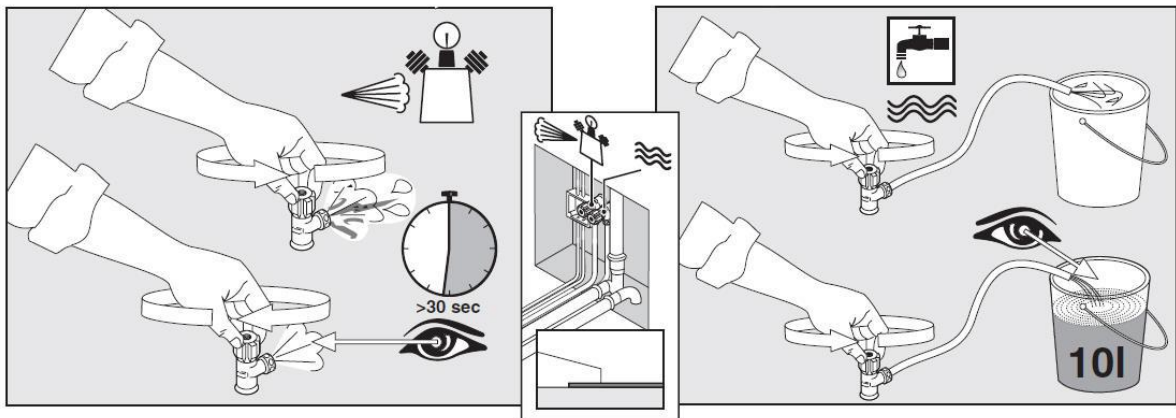


Figure 46

Figure 47



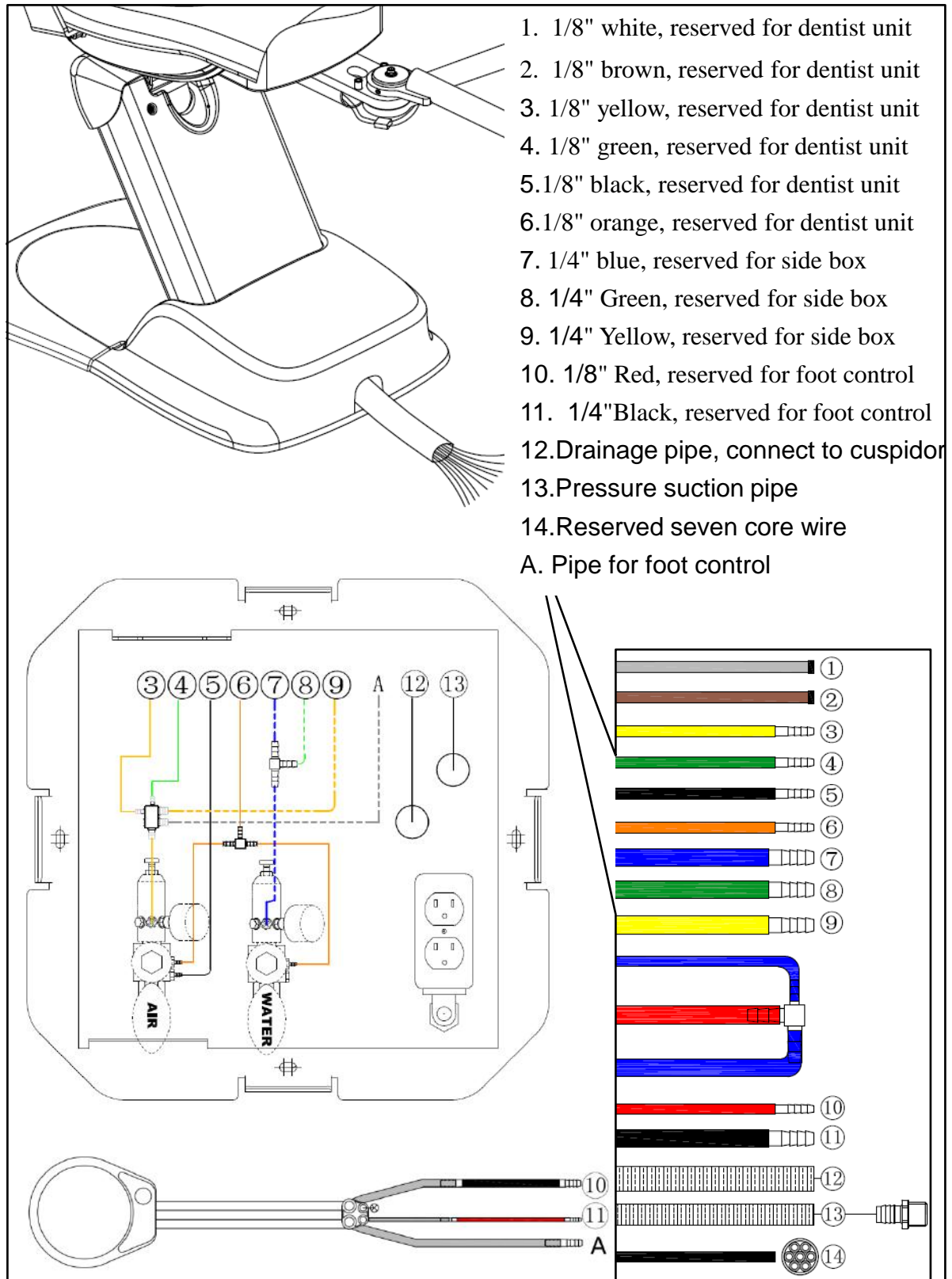
The tubes & wires are in the tubing zone or inside the external junction box, their places depend on your chair configurations.

1. Open the valves to exhaust water and air, clean the tubes before connecting.
- 2.. Open the cover of the junction box, connect the air-in, water-in and water-out .
3. Take out the power box of dental light ,connect the power cord to the power box, and plug into the socket.
4. Close the cover after making sure they are well-performed.

Installation Manual of Classic201 Delivery System

Connect the pipe of the junction box and the chair according to the color, connect the pipe of the foot control with the reserved pipe on the chair and the pipe of the junction box valve according to the color.

Figure 48



We reserve the right to make any alterations which may be due to technical improvements.



710422

ADS Dental System Inc.

Add: 1590 S Milliken Ave., unit A, Ontario, CA 91761
Tel: (626) 620 0456
E-mail: ads@adsequip.com
<http://www.adsequip.com/>