

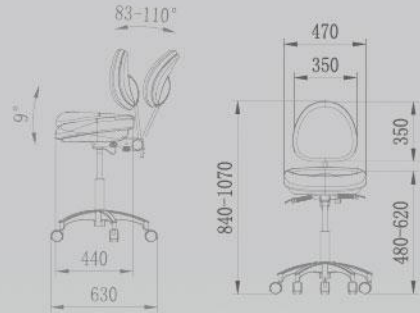
# Dental Stools



## D3 Doctor stool

Part number: A080103

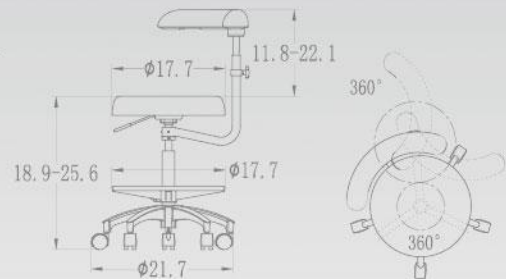
Chrome plated pneumatic cylinder  
 Height adjustment,  
 Backrest forward backward adjustment,  
 Seat surface adjustment,  
 Contoured seat & back,  
 Fiber leather upholstery  
 Cast aluminum star,  
 Quiet twin wheel casters,  
 1 year warranty



## N4 Assistant stool

Part number: A080224

Round seat,  
 Fiber leather upholstery,  
 Chrome plated pneumatic cylinder  
 Adjustable chrome foot ring  
 Cast aluminum star  
 Ratcheting body support,  
 1 year warranty



Color sample  
 (Fiber leather)



Technical support: 800 488 9708

Add: 1590 S Milliken Ave., unit A, Ontario, CA 91761

Tel: (626) 620 0456

[www.adsdental.com](http://www.adsdental.com) [www.adsequip.com](http://www.adsequip.com)

[sales@adsequip.com](mailto:sales@adsequip.com)



ADS Dental System



# AJ12 EL Orthodontic





