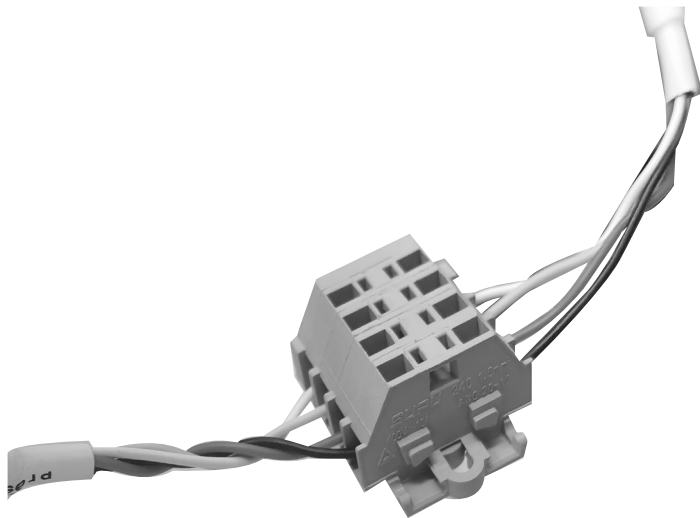


## Remote Control Connection Instructions



*\* Picture for Reference Only*

## CONNECTING THE LED PUSH-BUTTON CONTROLS

Optionally, the dental unit can include LED illuminated push-button controls for convenient start and stop operations. If including the LED illuminated push-button controls, proper connection of these controls is a must and important for their functionalities.

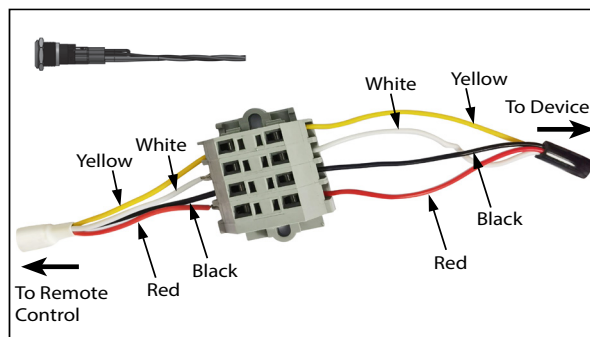
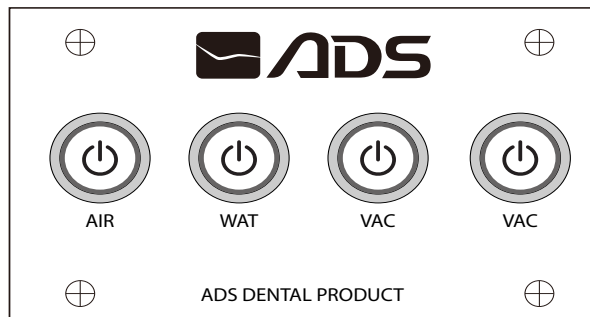
To connect the push-button controls:

1. Locate the push-button control unit that is to be mounted onto the wall.
2. Locate the lead wires from the control unit and route them to the electrical box location. Leave sufficient slack in the wiring.
3. Remove the included remote control lead wires from the terminals in the connector.
4. Attach the lead wires of the dental unit and the LED push-button control to the appropriate terminals in the connector. Ensure that wire colors match each other.
5. Secure the connections tightly.
6. Mount the push-button control unit securely onto the wall using appropriate screws through the provided mounting holes.
7. Check that the control unit is located logically for the dentist or assistant to access the buttons.

Once main power is restored, test the button functions to

verify on and off operations. Upon powering up, ensure that the status indicator lights encircling the buttons are illuminated.

If the push-buttons do not function normally, recheck all connections against the wiring diagram.



## CONNECTING THE THIRD-PARTY REMOTE CONTROL

Optionally, the dental unit can connect to third-party remote control for convenient start and stop operations.

If including the third-party remote control, proper connection of the control is a must and important for their functionality.

To connect the third-party remote control:

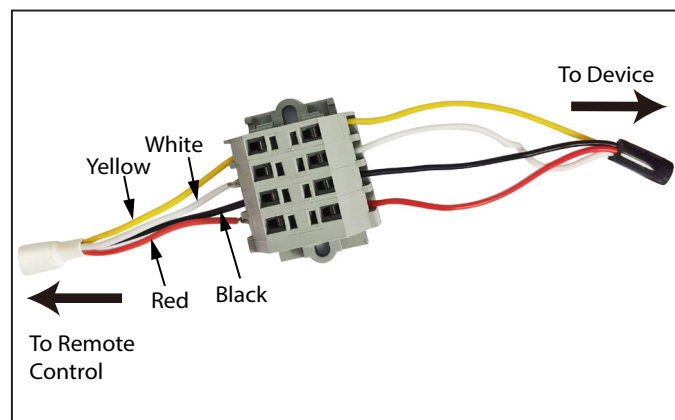
1. Locate the lead wires from the remote control and route them to the electrical box location. Leave sufficient slack in the wiring.
2. Remove the included remote control wires from the terminals in the connector.
3. Attach the lead wires of the dental unit and the third-party remote control to the appropriate terminals in the connector.

For the remote control with four lead wires, ensure that wire functions match each other.

The description of the dental unit wires are as follows:

- Wires controlling the remote control status indicator light.
  - » Red: +LED

- » Black: -LED
- Wires controlling the dental unit.
  - » White: COM
  - » Yellow: NO



For the remote control with three lead wires, connect the wires in the connector as follows:



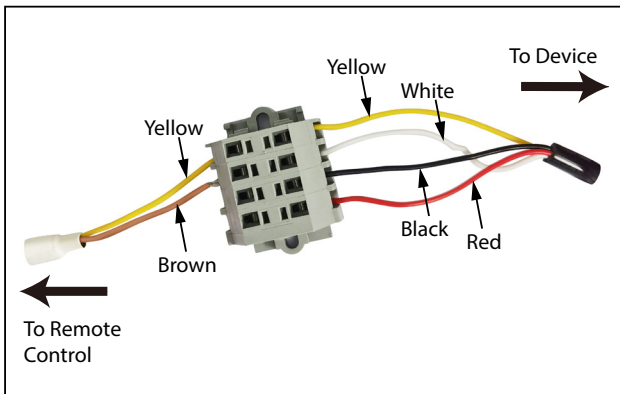
**NOTE**

If connecting to a remote control with three wires, the status indicator light of the remote control, if any, cannot be illuminated.

- Connect to the wires of the remote control according to the following table.

Mfg/Wire	Yellow	White
AirTechniques	Yellow	Brown
A-dec	Blue	Gray
Midmark	Blue	White
Dental EZ	Black	Brown
Matrix	Red	Blue
Apollo	Blue	White
Tech West	Blue	White

- Keep the remaining wire of the remote control unconnected.



4. Secure the connections tightly.
5. Follow the remaining steps of the third-party remote control installation.

For details, refer to the support documentation of the third-party remote control.



ADS Dental System

## ADS Dental unit

📍 Add: 1590 S Milliken Ave., unit A, Ontario, CA 91761

✉ E-mail: [sales@adsequip.com](mailto:sales@adsequip.com)

☎ Tel: (626)620 0456

📞 Technical Support: 800-488-9708

🌐 [www.adsdental.com](http://www.adsdental.com) / [www.adsequip.com](http://www.adsequip.com)

● P/N: 8503482A ● Rev. A ● Issue Date: 2024/05/27