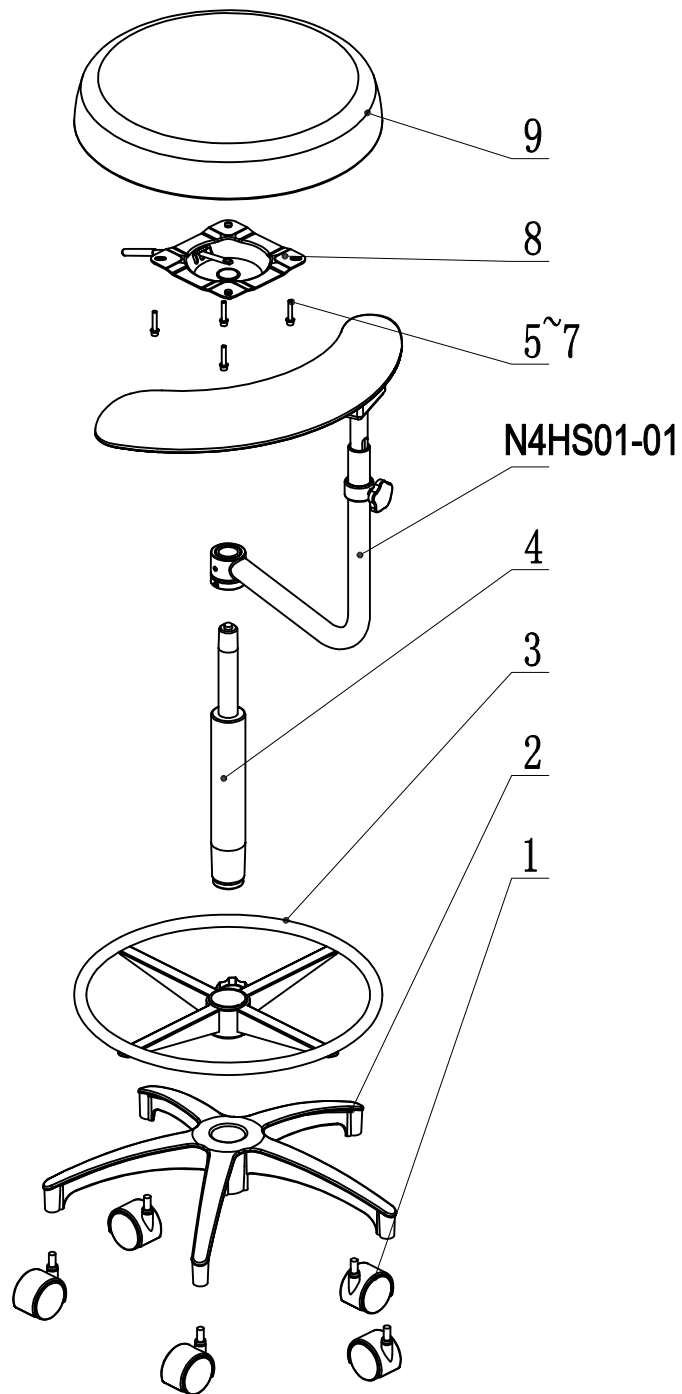


N4 Assistant stool Parts list

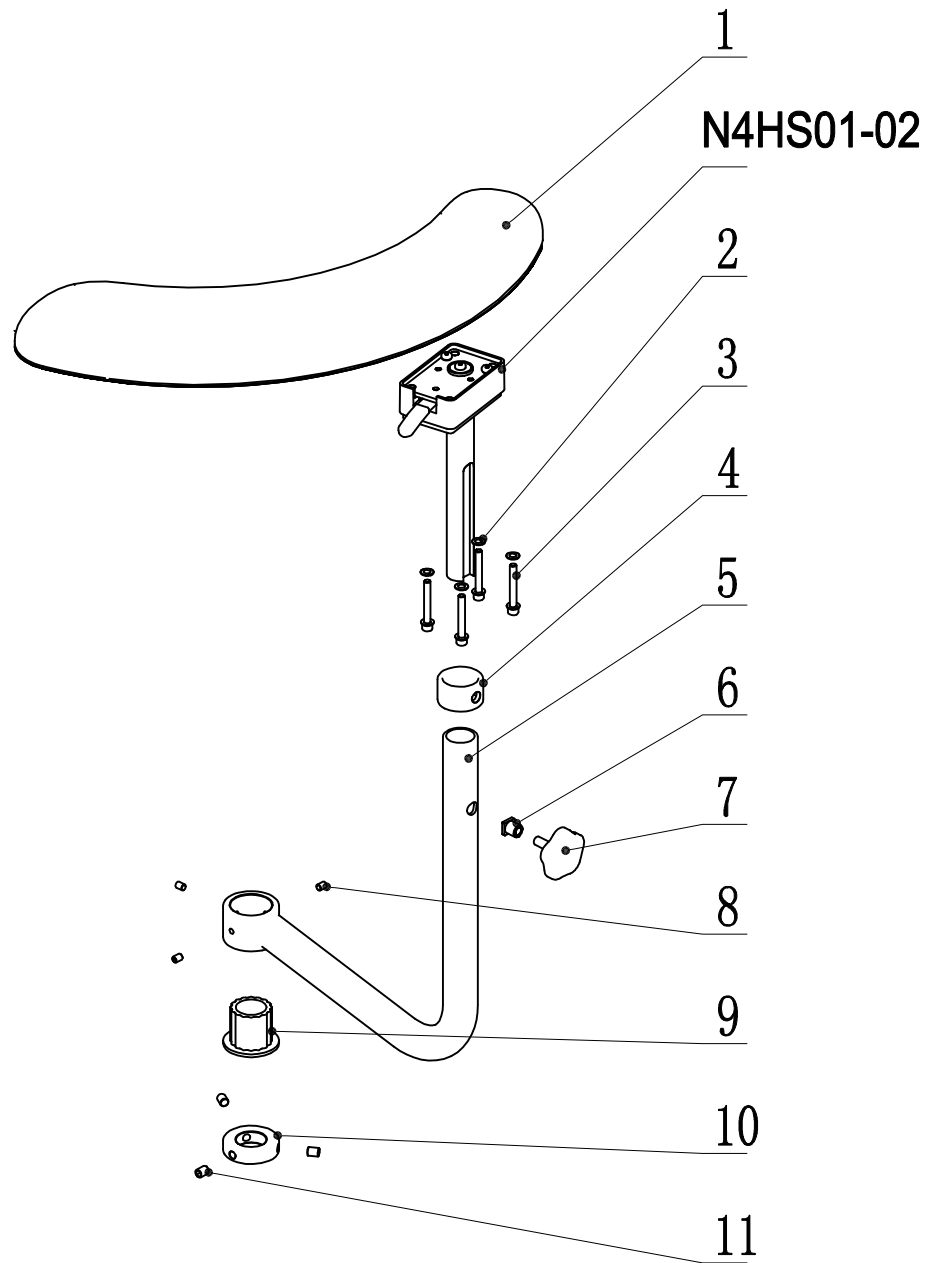
N4HS01-00A



No.	Part number	Name	Number	Remark
1	8024136A	noiseless caster-50	5	
2	8014035A	aluminum alloy five-star feet (R270)	1	
3	8024139A	∅450 foot ring	1	
4	8021811A	N336-187	1	
5	8001741A	M6*20 stainless steel screw	4	
6	8001564A	∅6 spring pad	4	
7	8001591A	∅6 big washer	4	
8	8024142A	N4 assistant's stool chassis switch (SD-T008)	1	
9	8024202A	450 round cushion champagne (HX001-63)	1	

N4 Assistant stool Parts list

N4HS01-01



No.	Part number	Name	Number	Remark
1	8024205A	N4 armrest sewing champagne (HX001-63)	1	
2	8001564A	φ6 spring pad	4	
3	8001744A	M6*50 stainless steel screw	4	
4	8024145B	N4 armrest fixed block	1	
5	8024148B	N4 hand holder frame	1	
6	8024151A	N4 hand wheel fixed nut	1	
7	8024154A	M8*20 seven-star handle	1	
8	8006037A	M6*8 stainless steel set bolt	3	
9	8024157A	N4 hand holder frame shaft sleeve	1	
10	8022447A	N3 hand holder frame fixed block	1	
11	8011443A	M8*10 stainless steel set bolt	3	

N4 Assistant stool Parts list

N4HS01-02

No.	Part number	Name	Number	Remark
1	8024304A	M5*30 stainless steel screw	2	
2	8024160A	N4 armrest seat upper fixed board	1	
3	8020506A	M6*16 stainless steel screw	1	
4	8024163A	M6*20*2 thick washer	2	
5	8024166A	flat key 5*5*18	1	
6	8024169B	N4 lever	1	
7	8024172A	N4 gear	1	
8	8024175A	N4 lever sleeve	1	
9	8001693A	M5*8 stainless steel screw	2	
10	8024178A	N4 gear push block	2	
11	8001678A	M4*8 stainless steel screw	2	
12	8024181A	N4 spring	2	
13	8024184A	N4 lever fixed pin	1	
14	8024187A	N4 gear push block fixed pin	2	
15	8024190A	N4 hand holder seat	1	
16	8024193A	6003RS bearing	1	
17	8024196A	N4 armrest seat down fixed board	1	
18	8024199B	N4 armrest rod	1	