



<http://www.adsequip.com/>

Installation Manual of Orthodontic Mobile Cabinet

CONTENTS

1 Tools recommended.....1

2 Dimensions.....2

3 Installation.....4



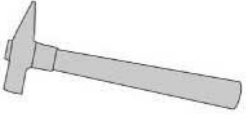
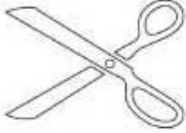
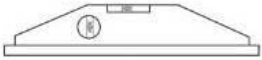





4 Water & air diagrams.....8

5 Functions.....9

Installation Manual of Orthodontic Mobile Cabinet

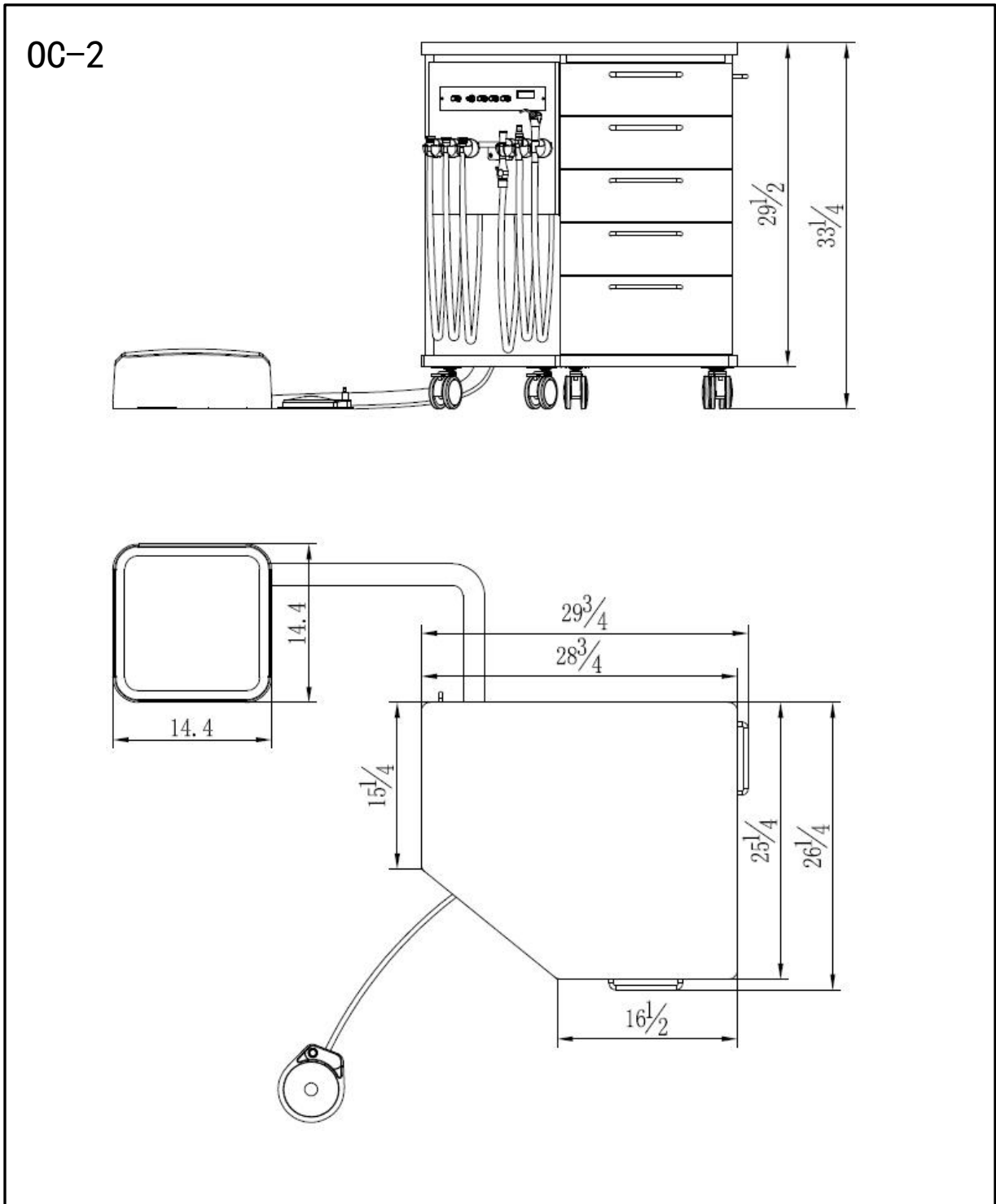
1 Tools recommended

The tools and instruments need to prepare before installation.

	Electrical drill		Pincers
	Hammer		Scissors
	Leveling instrument		Flat-bladed Screw driver
	Phillip screw driver		Allen wrench
	Spanner		Hexagon socket wrench

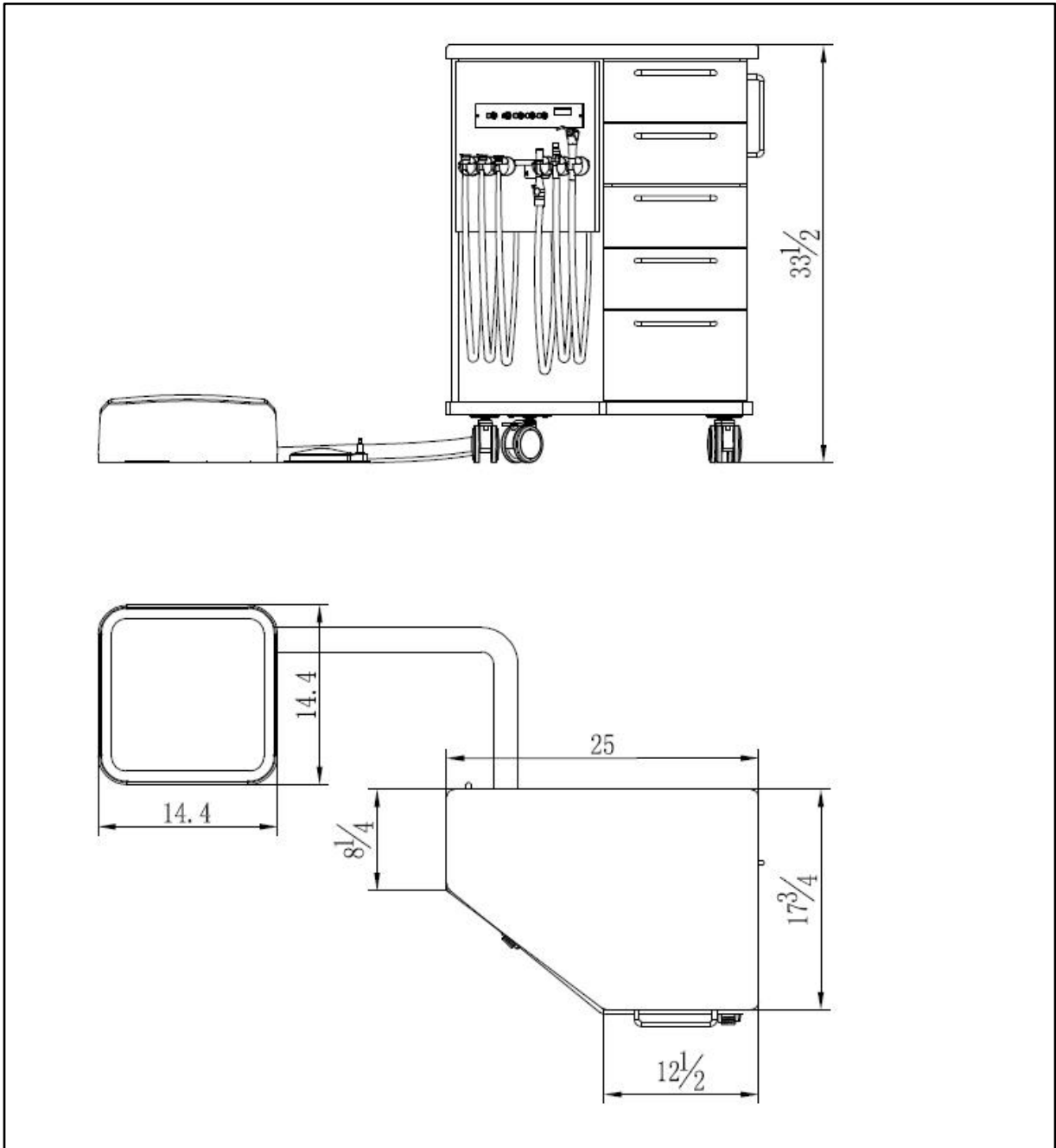
Installation Manual of Orthodontic Mobile Cabinet

2 Dimensions



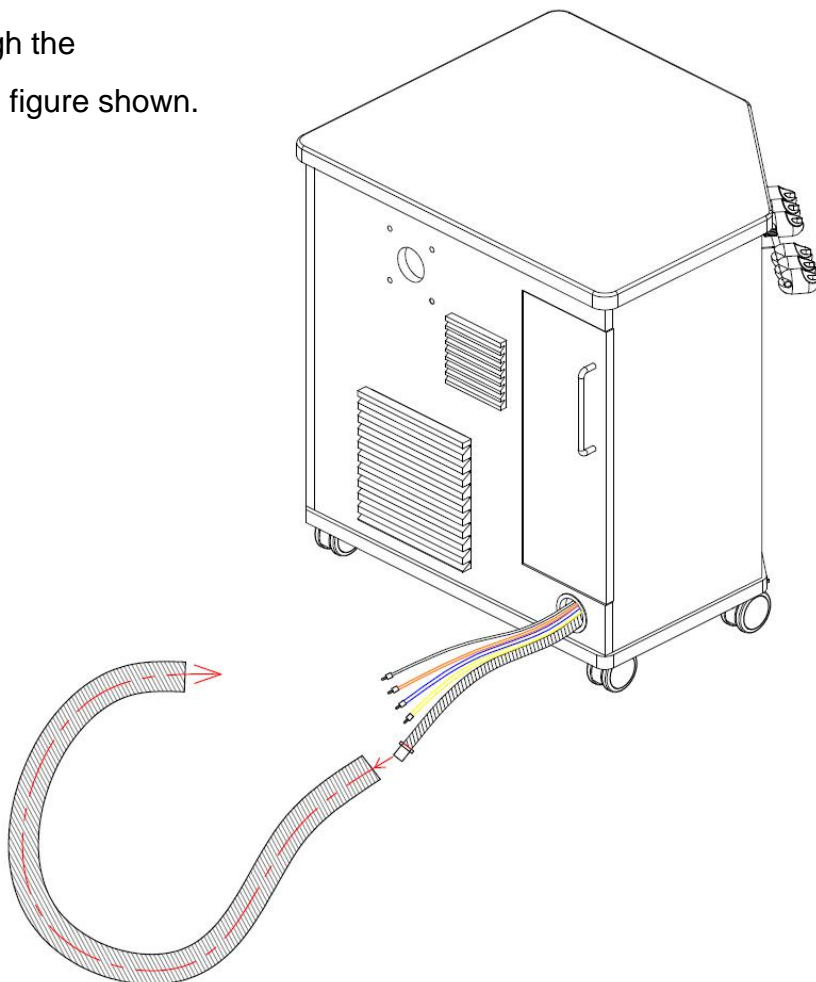
Installation Manual of Orthodontic Mobile Cabinet

OC-3

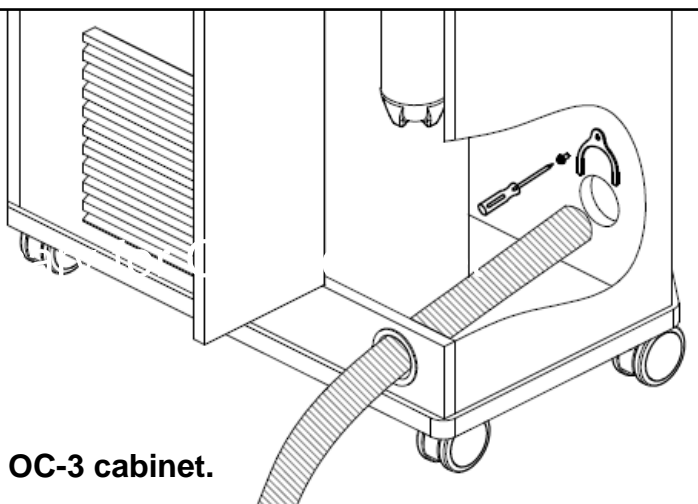


3 Installation

1. Route the tubes through the corrugated pipe as the figure shown.

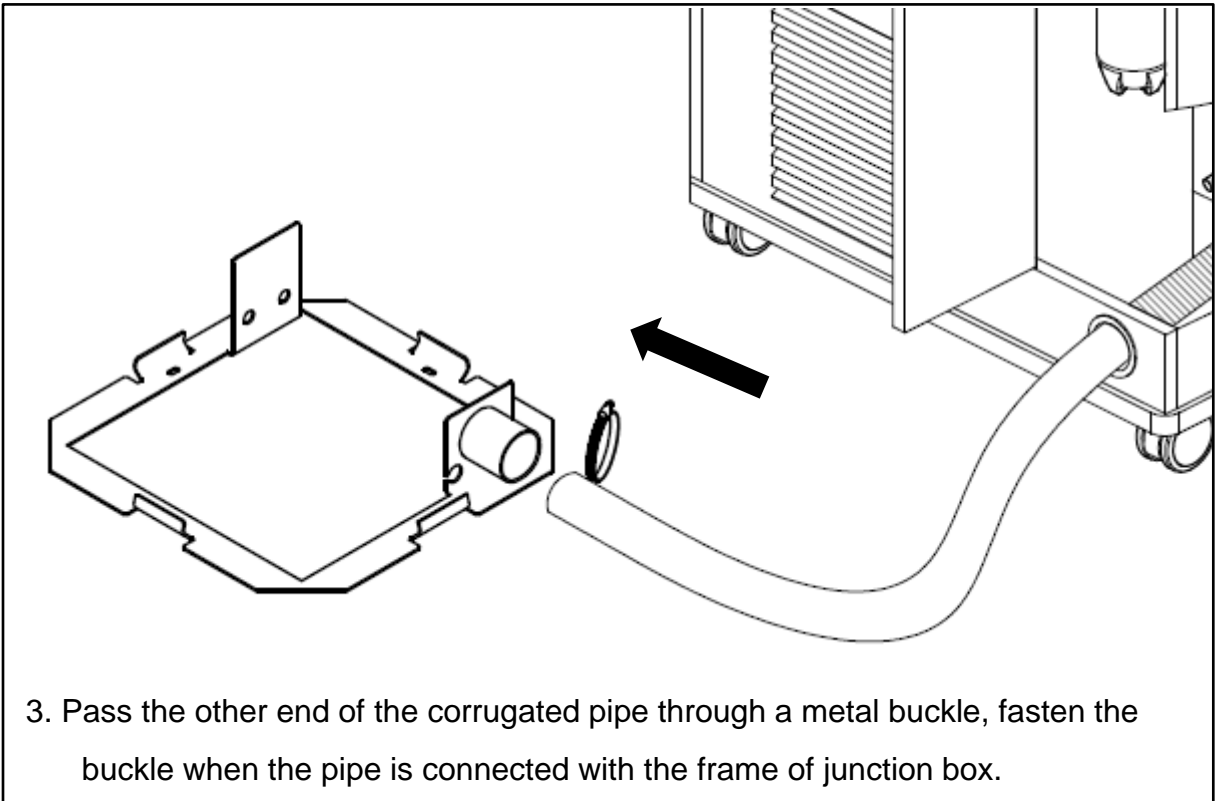


2. Let one end of the corrugated pipe pass through the hole and reach inside the cabinet, fasten the pipe clip by a ST4*16 cross recessed pan head tapping screw to fix the corrugated pipe.



This step is not necessary for OC-3 cabinet.

Installation Manual of Orthodontic Mobile Cabinet



4. Connect the tubes in corresponding colors.

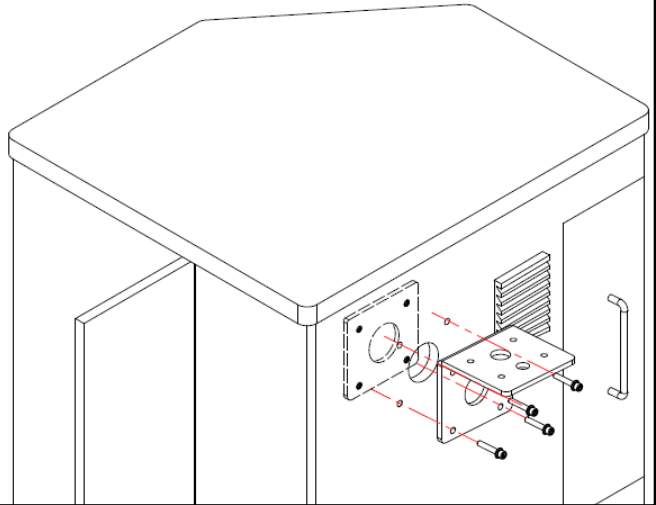


Installation Manual of Orthodontic Mobile Cabinet

5. Installation of monitor bracket

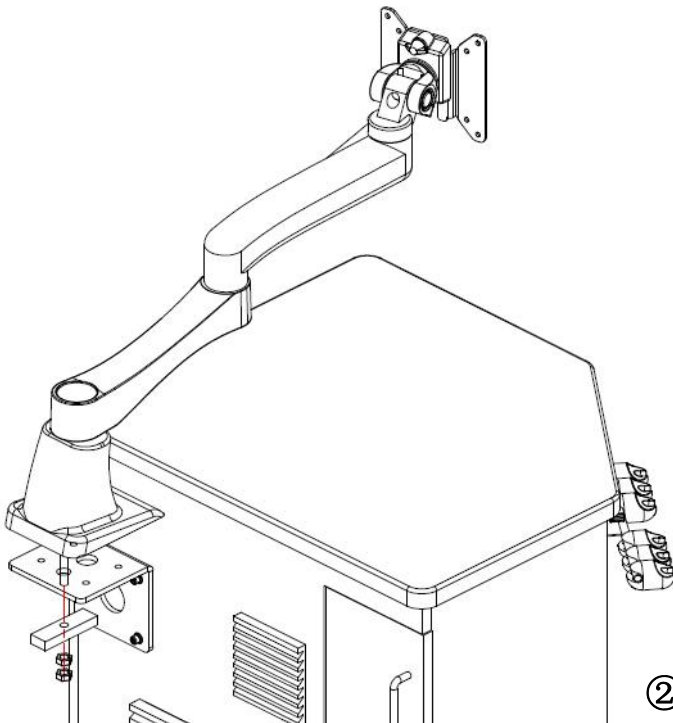
Use 4pcs screws to mount the monitor seat lock on the back panel.

①

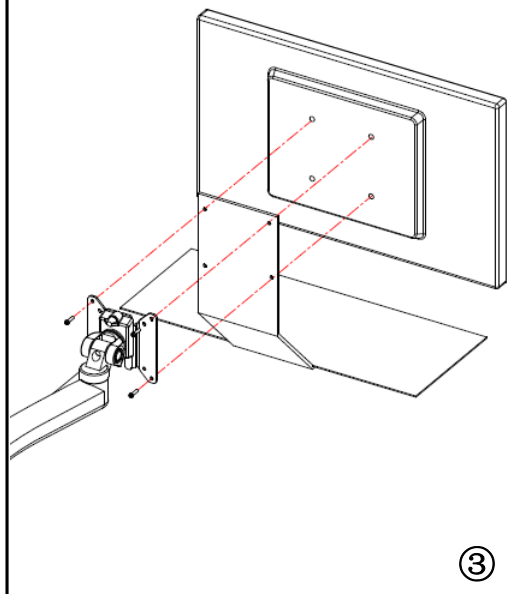


Use 2pcs nuts to lock the display turntable onto the mounting seat.

Use 4pcs screws to lock through the keyboard bracket and the display.



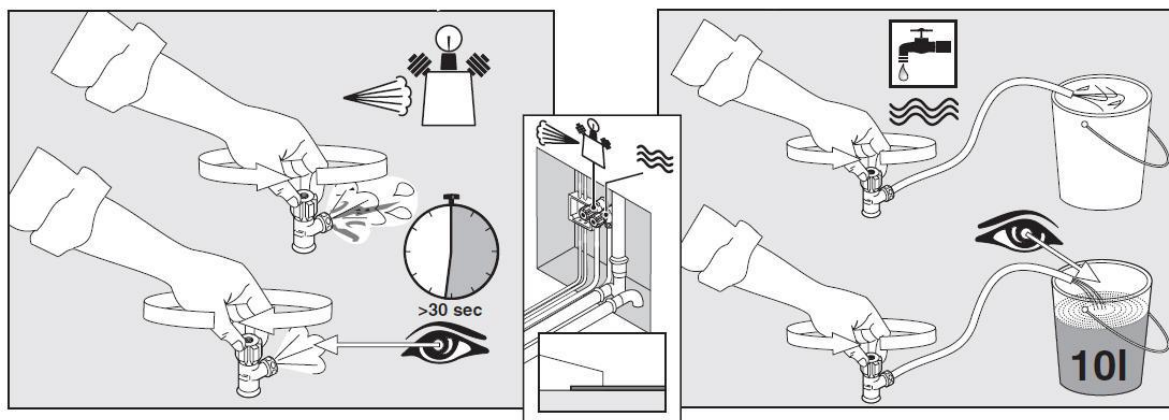
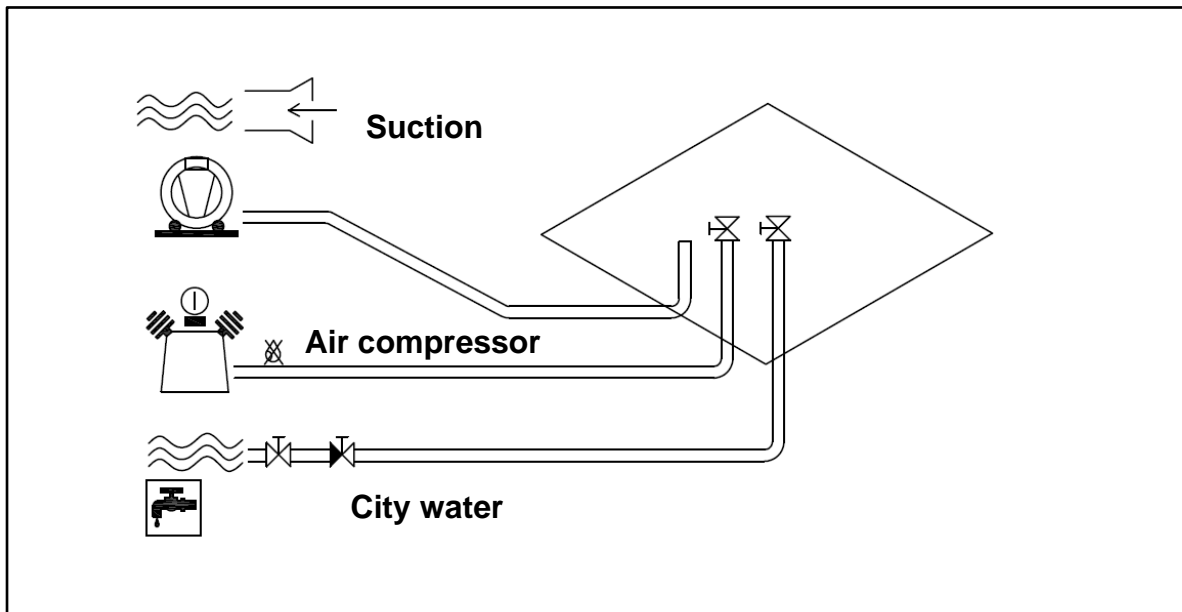
②



③

Installation Manual of Orthodontic Mobile Cabinet

6. Install junction box.

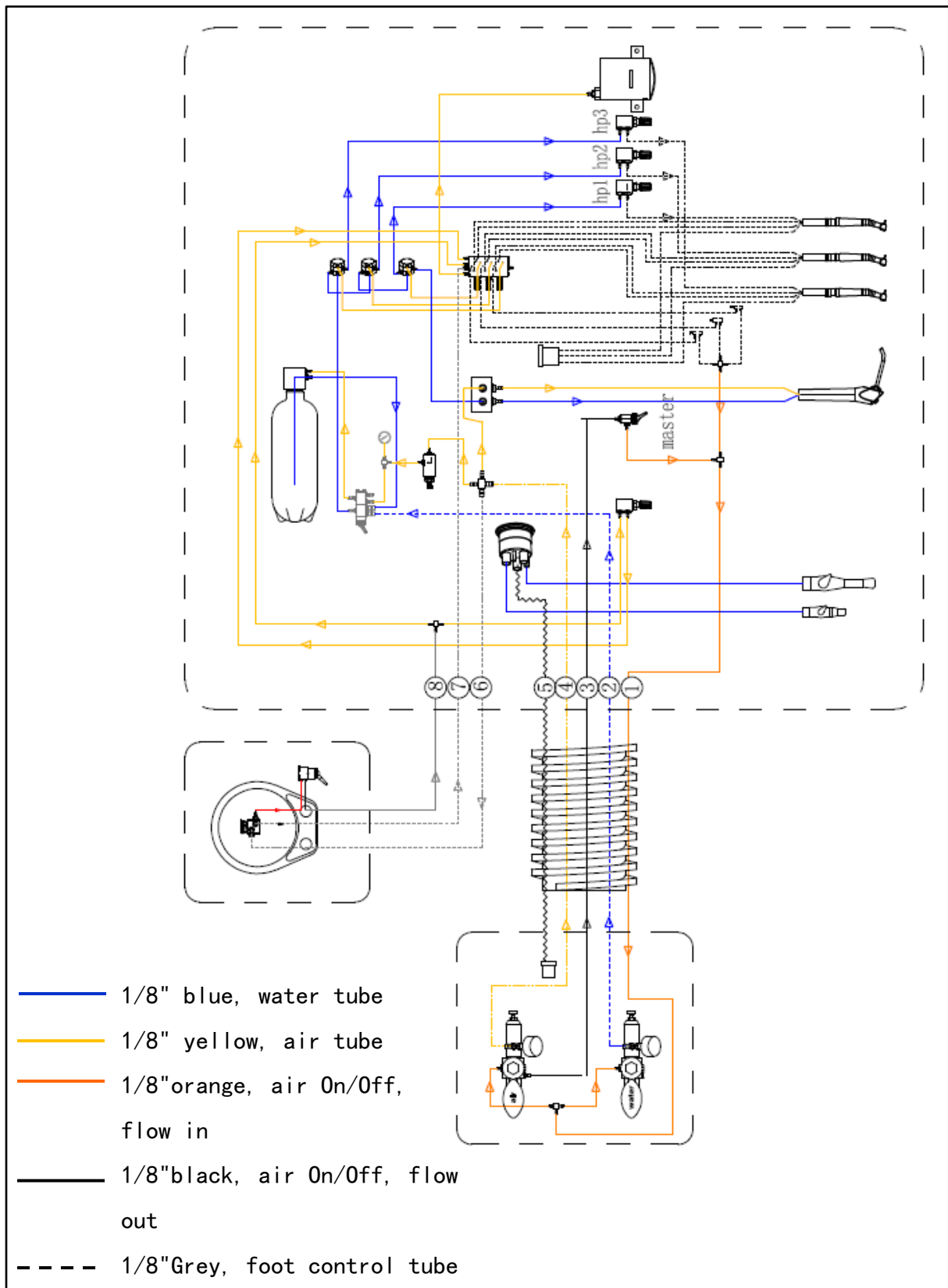


The tubes and wires are in the tubing zone or inside the external junction box, their places depend on your chair configurations.

- 1). Open the valves to exhaust water and air, clean the tubes before connecting.
- 2). Open the cover of junction box, connect the air-in, water-in and water-out .
- 3). Close the cover after making sure they are well-performed.

Installation Manual of Orthodontic Mobile Cabinet

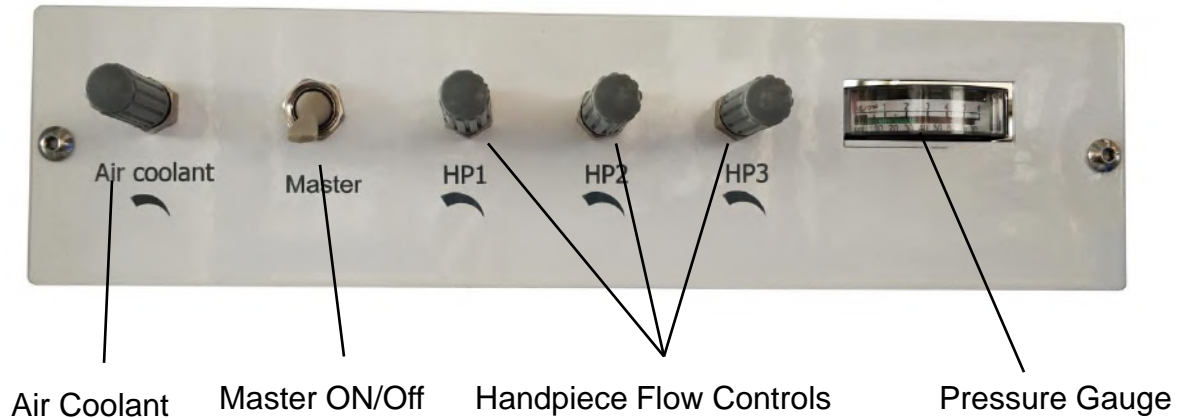
4 Water & air diagrams



Installation Manual of Orthodontic Mobile Cabinet

5 Functions

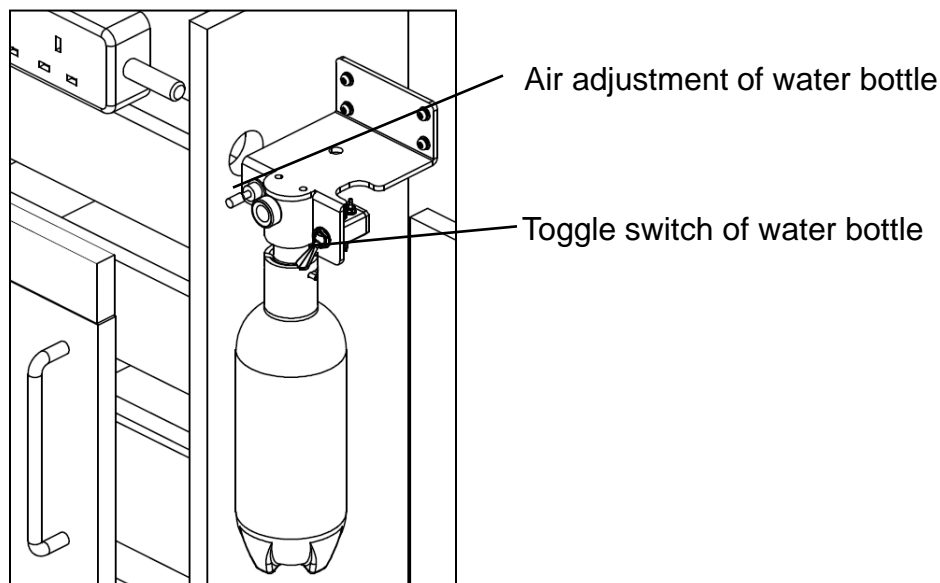
5.1 Control panel



Air coolant : This valve controls the amount of air coolant flow to all the handpieces. Rotate counterclockwise to increase flow, clockwise to decrease flow.

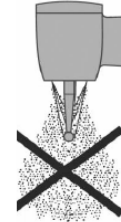
Master On/Off : This toggle switch activates the air and water shut-off valves, which control the air and water supplies to the unit.

Handpiece flow controls : These valves adjust the amount of water coolant supplied to its corresponding handpiece. Rotate counterclockwise to increase water coolant flow, clockwise to decrease the flow.



5.2 Foot control

Turn off mist spray



Turn on mist spray



NO



OK

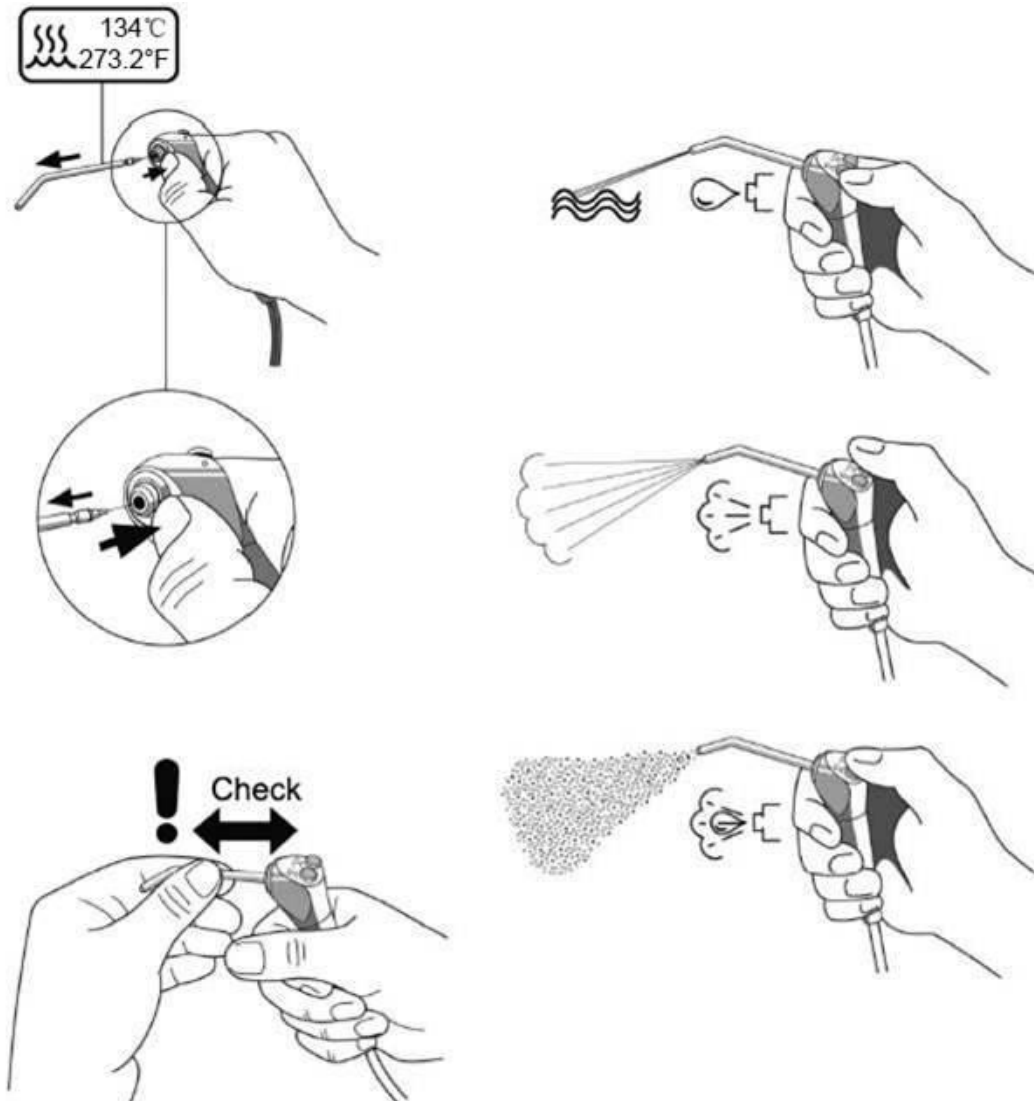


Note:

Adjust the air pressure to meet the requirements of handpiece manufacturers. Refer to your handpiece documentation to learn more about the requirements of handpiece air pressure.

Installation Manual of Orthodontic Mobile Cabinet

5.3 Three-way syringe adjustment



6 Maintenance and sterilization instructions

6.1 Handpiece tubings cleaning & maintenance

Flush the tubings independently or together. After each treatment :

1. Disconnect the handpieces before flushing the tubings.
2. Gather handpiece tubings which use water coolant and hold them over a sink, or a basin.
3. Hold the tubings to let the water flow into the container.
4. Flush the tubings continuously about 20~30 min .



Notice :

Discharge air and water of all tubes for about 20–30 seconds after each treatment.

6.2 Suction handles cleaning

1. Suck a cup of fresh water to clean after every two hours during operation.
2. Suck a litre of water to flush after finishing every day's work.

6.3 Dirty collector cleaning

Keep weekly maintenance in regular use and increase maintenance frequency with frequent use. To clean the dirty collector:

1. Unscrew the dirty collector counterclockwise and remove it;
2. Discard the used cotton.
3. Put fresh cotton into dirty collector;
4. Tighten the dirty collector clockwise.

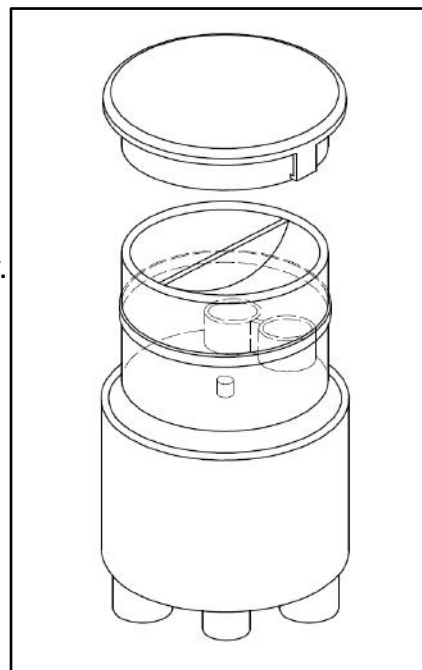


6.4 Filter cleaning

The filter prevents solids from entering the suction system. Clean the filter screen at least twice a week to ensure the suction system works properly.

To clean the filter:

1. Close the suction system.
2. Remove the lid, take out the filter screen and clean the solids.
3. Reinstall the filter.



We reserve the right to make any alterations which may be due to technical improvements.



710422

ADS Dental System Inc.

Add:
1590 S Milliken Ave., unit A, Ontario, CA 91761
Tel: (626) 620 0456
E-mail: ads@adsequip.com
<http://www.adsequip.com/>