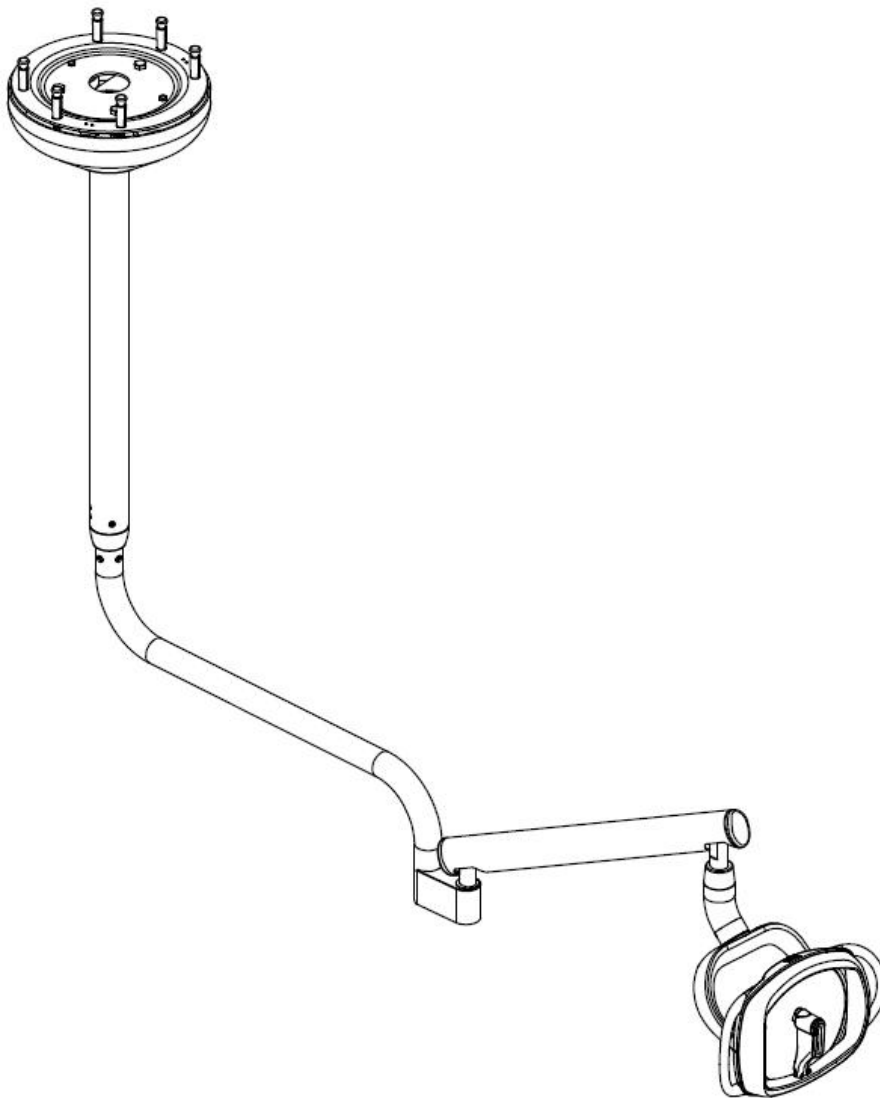




<http://www.adsequip.com/>

Installation Manual of DL-2 Ceiling-mounted Dental Light



CONTENTS

1. Attentions.....	1
2. Tools recommended.....	3
3. Compositions.....	4
4. Installation.....	6
4.1 Dimensions.....	6
4.2 Sequences.....	7
4.3 Levelness adjustment.....	12

1. Attentions





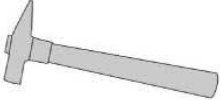
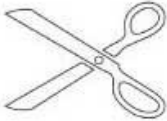






Clear all the debris in the room, and clean the ceiling thoroughly before installation. The mounting surface shall not have raised foreign matter.

Before install the unit, please read the manual carefully:

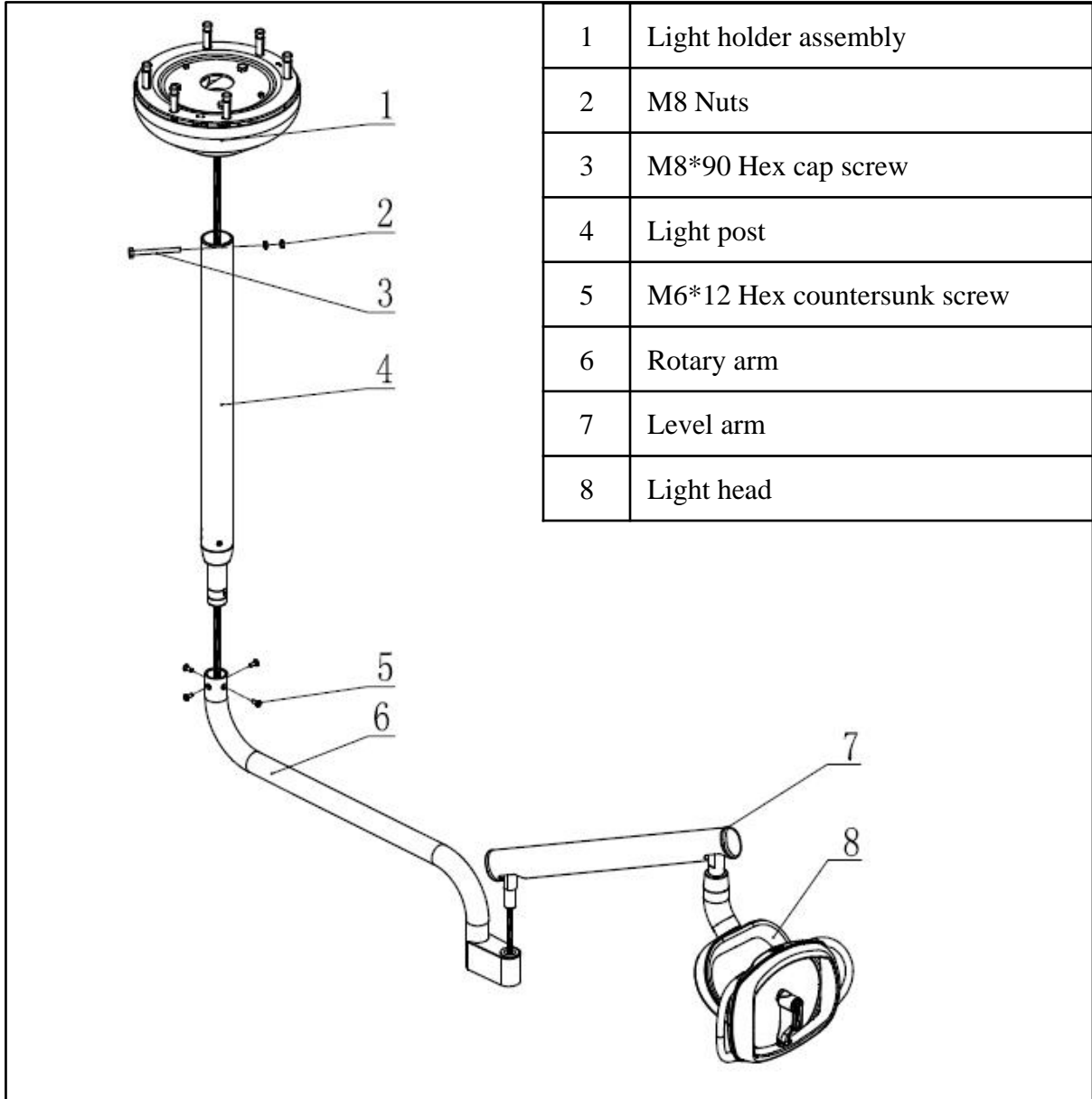
- . Input voltage AC110 V, 60 Hz.
- . All the electrical components and connections should be made by an authorized technician.
- . Only accessories recognized by ADS technician can be used.
- . The unit should not operate in the environment of high temperature, high humidity, vibration, flammability, unbalance, or dusty.
- . Only the authorized spare parts can be used in this device.
- . This unit should not come into contact with any object in its operational range of movement.
- . This unit can not be used in the environment of strong magnetic, electromagnetic.

2. Tools recommended

The tools and instruments need to prepare before installation.

	Electrical drill		Pincers
	Hammer		Scissors
	Leveling instrument		Flat-bladed Screw driver
	Phillip screw driver		Allen wrench
	Spanner		Hexagon socket wrench

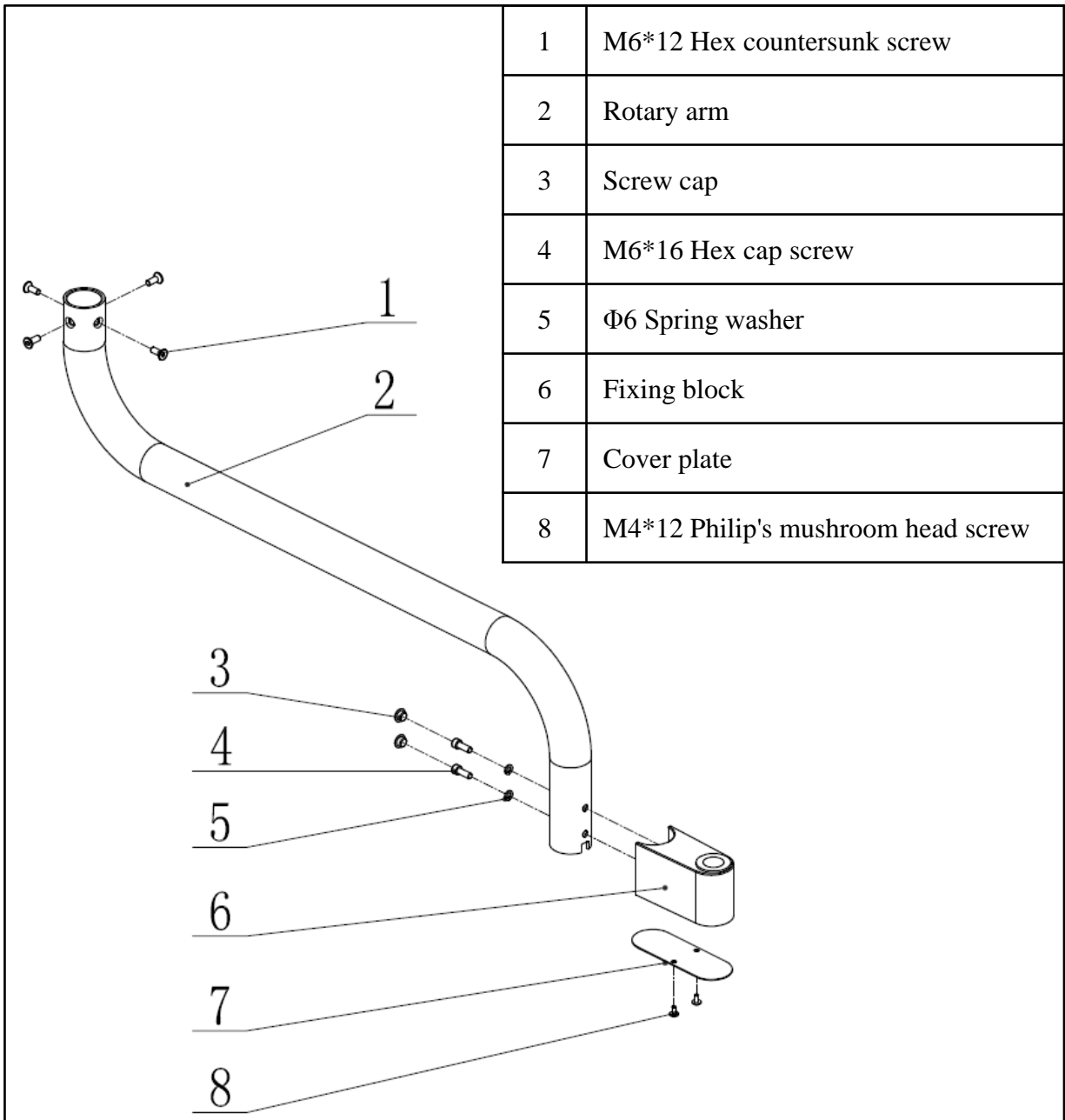
3. Compositions



Installation Manual of DL-2 Ceiling-mounted Dental Light

	1	M10*90 Anchors
	2	M10*60 Outer hex screw
	3	M8*50 Outer hex screw
	4	Fixing plate
	5	M8 Nut
	6	24V 30VA Transformer
	7	Adjusting plate
	8	M10 Nut
	9	M8*90 Hex cap screw
	10	Light post
	11	Plate cover
	12	Rubber cosmetic ring
	13	M6*8 Hex set screw
	14	M4*16 Philip's pan head screw
	15	M5*6 Hex jackscrew
	16	Rotating shaft
	17	DL-2 Bushing
	18	HK3520 Needle bearing
	19	Connecting shaft
	20	M6*8 Hex set screw
	21	DL-2 Stop block
	22	2-Bit connector
	23	M3*12 Philip's pan head screw
	24	M6*16 Hex cap screw
	25	M8 Nut
	26	M5*8 Hex countersunk screw

Installation Manual of DL-2 Ceiling-mounted Dental Light



4 Installation

4.1 Dimensions

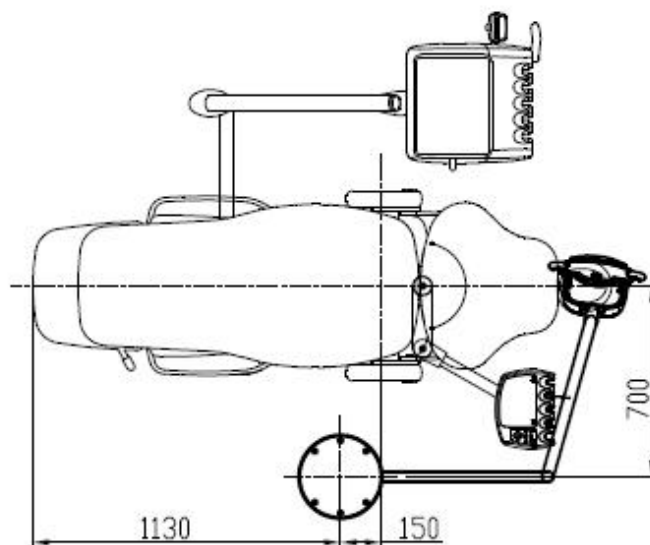
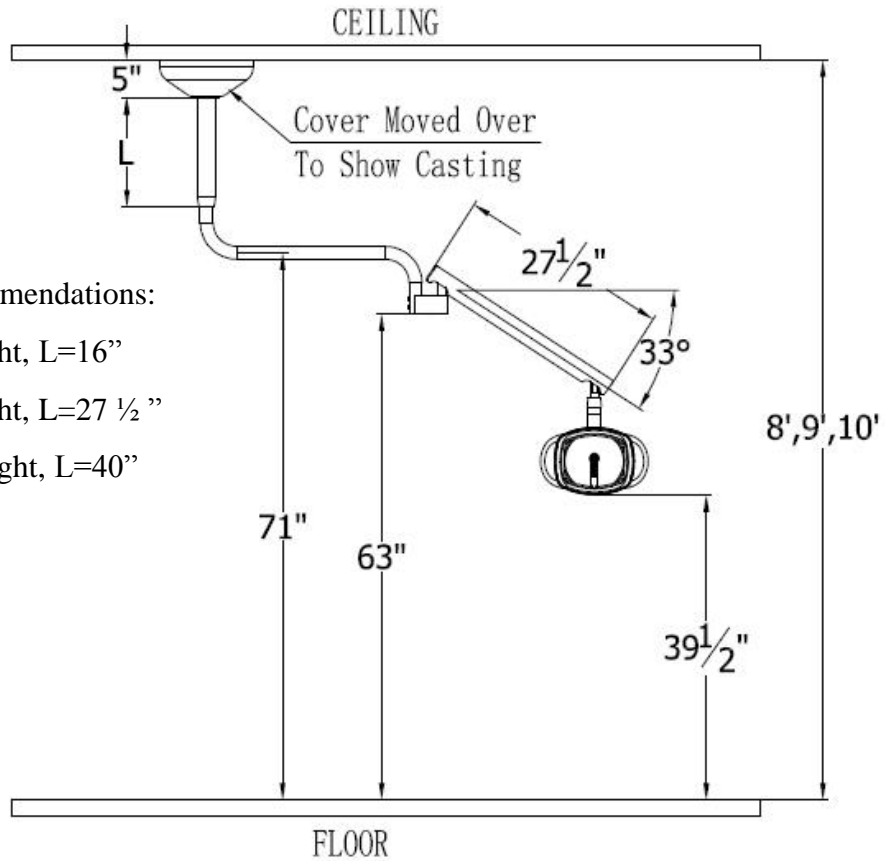
Unit: inches

Post length recommendations:

8 Feet storey height, L=16"

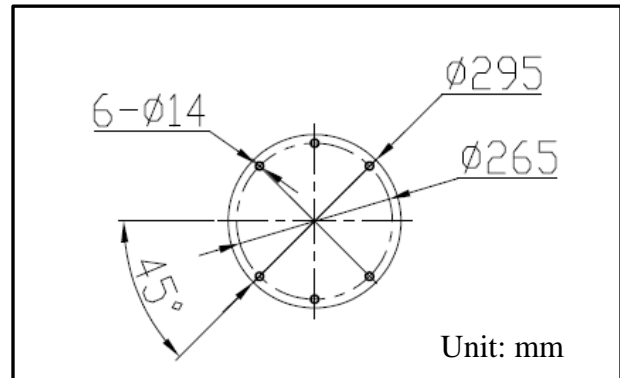
9 Feet storey height, L=27 1/2"

10 Feet storey height, L=40"

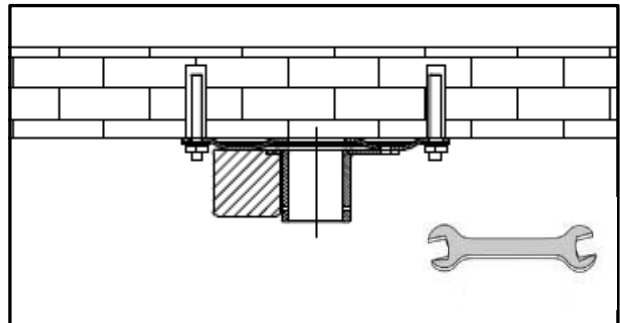


4.2 Sequences

1. Mark in your desire position on the ceiling with the fixing plate, drill six $\phi 14$ holes by electrical drill.



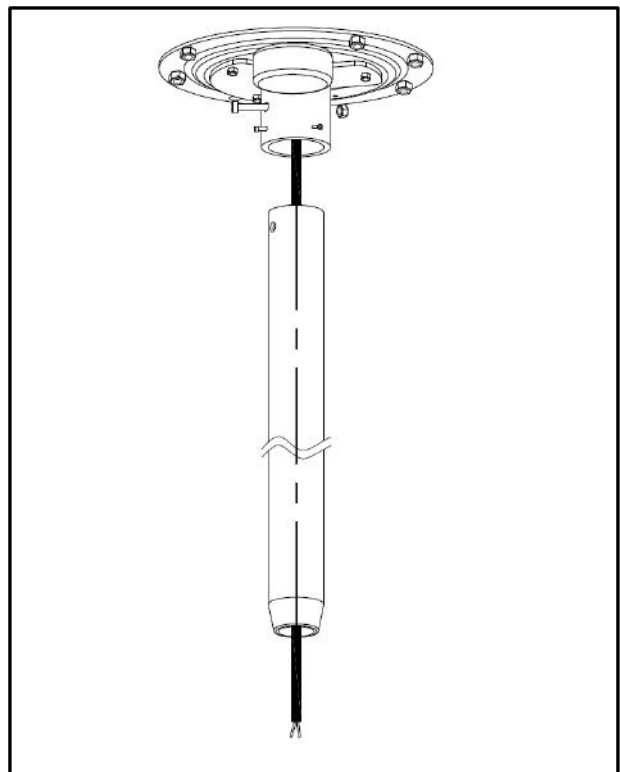
2. Mount the fixing plate to the ceiling with six M10*90 anchors inserting to the ceiling, and completely fasten the anchors.



Tools:

Spanner 17#

3. Untie the power cord on the fixing plate, and pass the power cord through the light post.

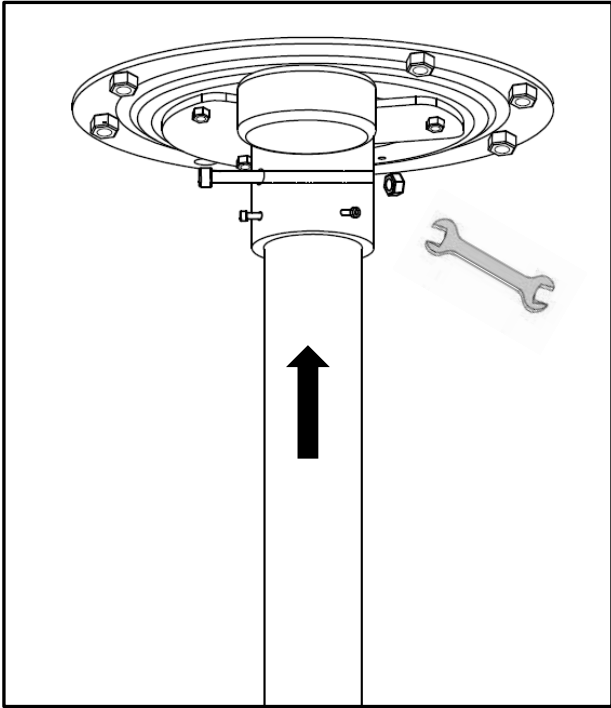


Installation Manual of DL-2 Ceiling-mounted Dental Light

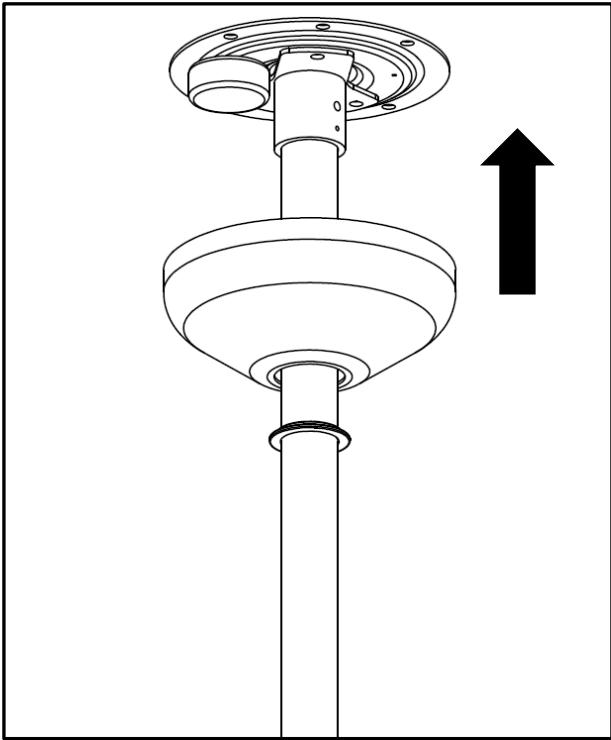
4. Loosen the M8*90 hex cap screw to insert the light post to the fixing plate, then fasten the nut and four M6*20 screws to fix the post.

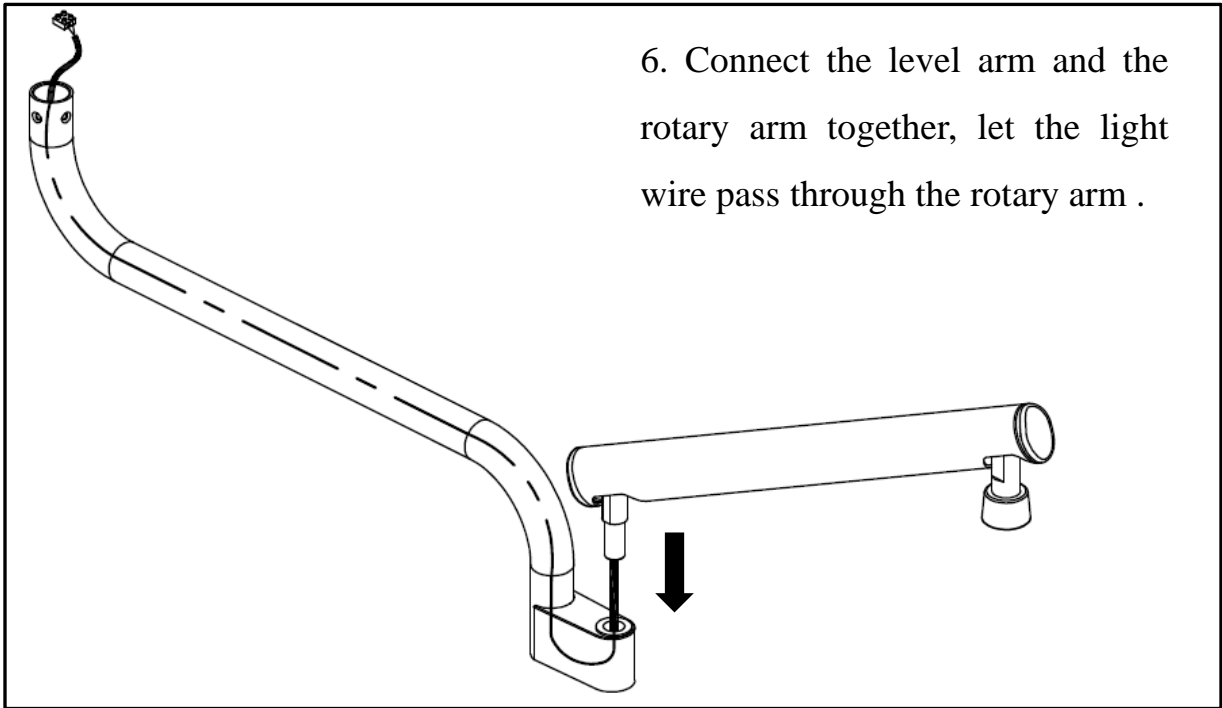
Note : The four M6*20 screws affects the perpendicularity of the light post.

Tools:
Spanner 14#

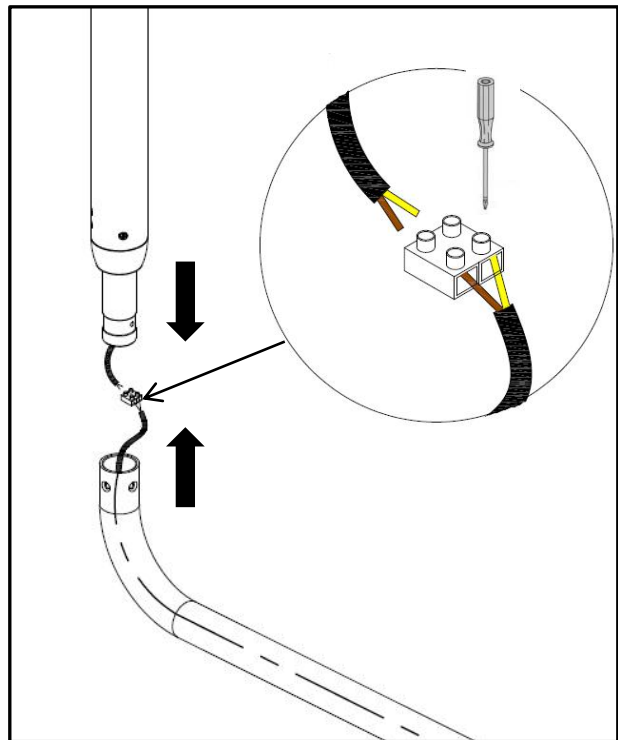


5. Mount the plate cover and the cosmetic ring.





7. Hold the arm assembly, connect the wire terminal of dental light .



Tools:

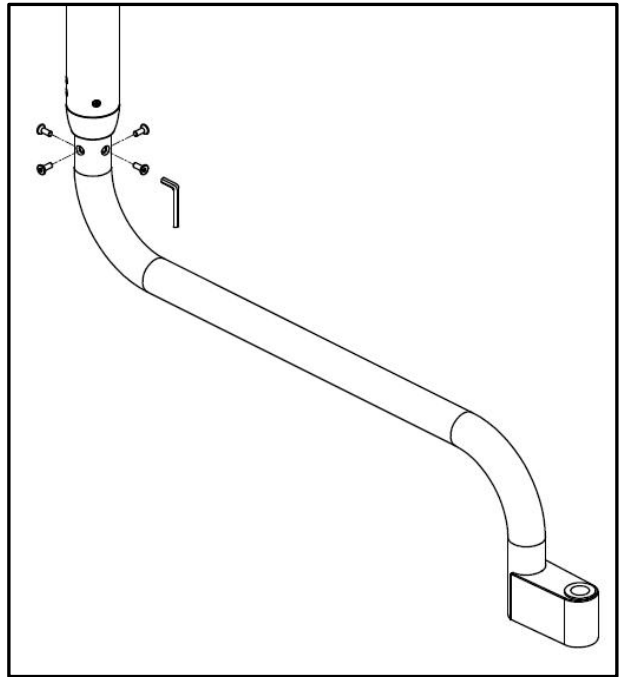
Philip screw driver

Installation Manual of DL-2 Ceiling-mounted Dental Light

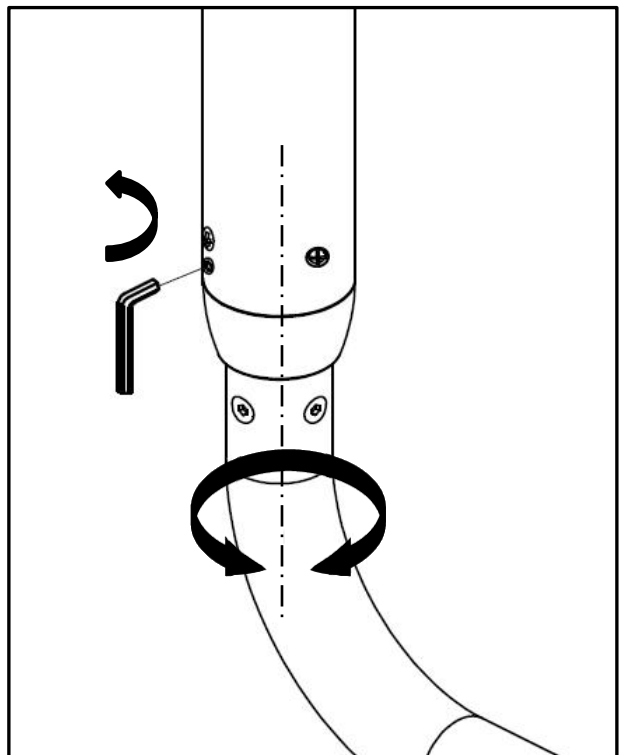
8. Connect the rotary arm and the light post, then fix with four M5*8 hex countersunk screws.

Tools:

4mm Allen wrench



9. Change the tightness of the M6*8 hex set screw to adjust the friction of rotary arm .



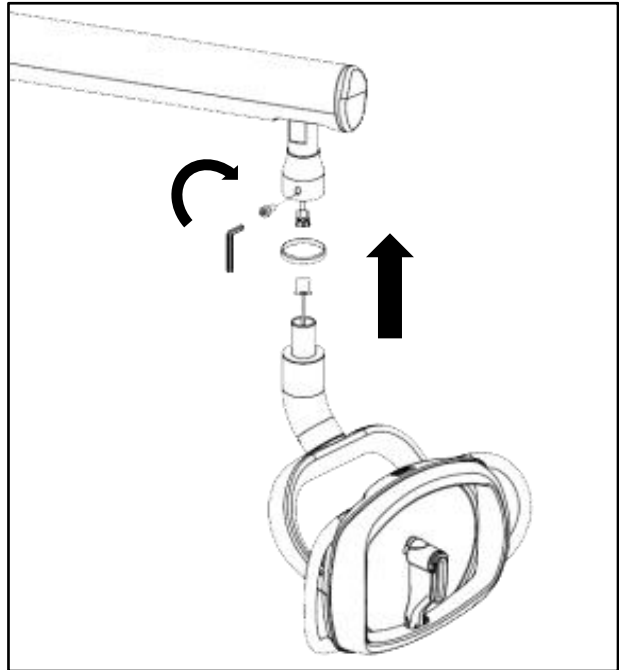
Installation Manual of DL-2 Ceiling-mounted Dental Light

10. Pass the light head shaft through a cosmetic ring and connect the wire terminals, make sure the lamp shaft is well inserted into the level arm, fully fasten with a M5*12 screw.

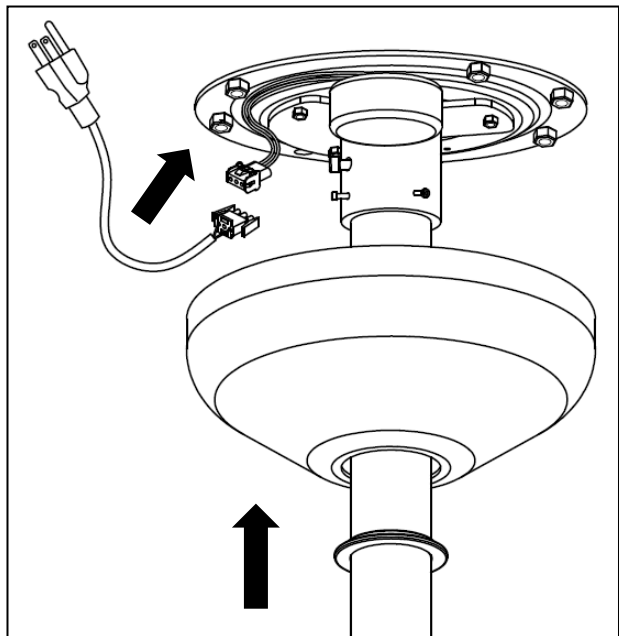
Note: Before tighten the screw, please hold the light head to avoid falling.

Tools:

4mm Allen wrench

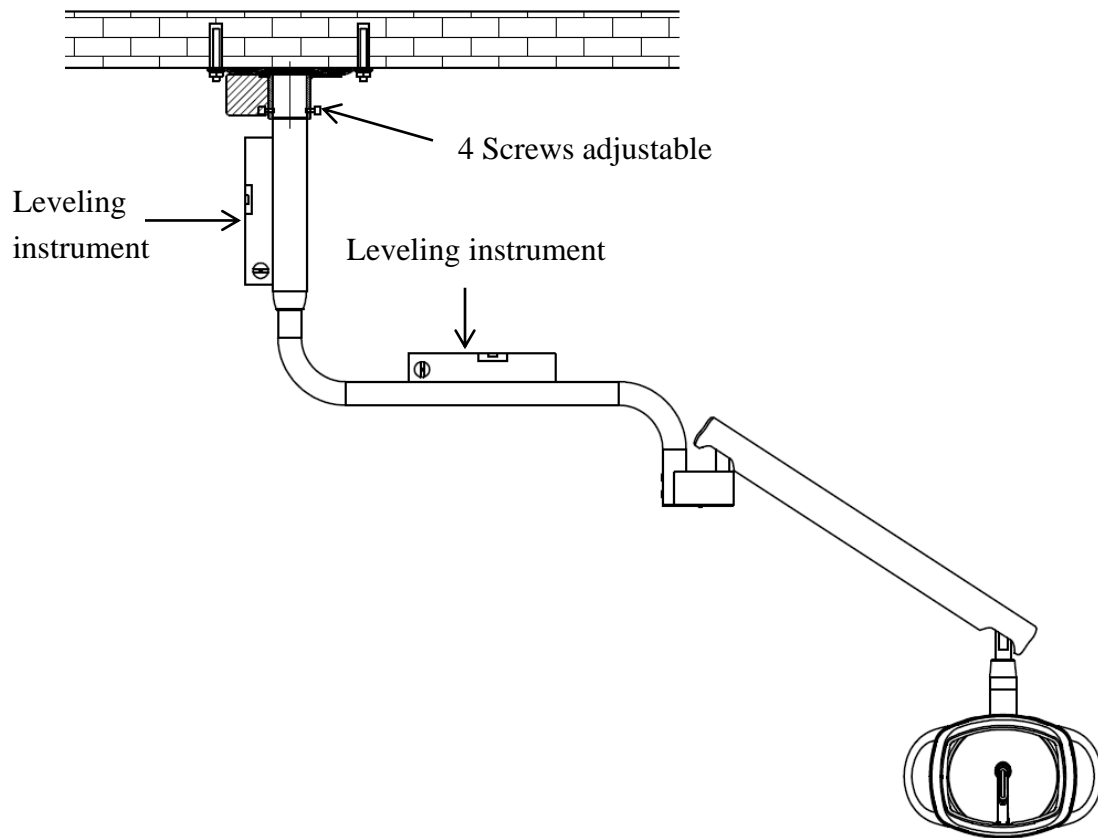


11. Connect the power cord, turn on the power to energize the light. Mount the plate cover.



4.3 Levelness adjustment

Adjust the levelness of the entire unit with leveling instrument.



We reserve the right to make any alterations which may be due to technical improvements.



710422

ADS Dental System Inc.

Add:
1590 S Milliken Ave., unit A, Ontario, CA 91761
Tel: (626) 620 0456
E-mail: ads@adsequip.com
<http://www.adsequip.com/>