

Installation Manual of Classic 40/41 Delivery System

CONTENTS

1	Introduction.....	1
1.1	Products information.....	1
1.2	Symbols explanation.....	1
2	Compositions.....	2
3	S i z e s	4
4	Specifications.....	6
5	Preparations.....	6
5.1	Attentions.....	6
5.2	Tools recommended.....	7
5.3	Installation sequence.....	8
6	Installation.....	9
6.1	Fix the chair adapter.....	9
6.2	Install cuspidor.....	10
6.3	Install the dentist unit(Classic 40/41)	11
6.4	Install dental light.....	15
6.5	Install the assistant unit(Classic 40).....	16
6.6	Install junction box.....	17

1 Introductions












1.1 Products information

- **Name:** Delivery system
- **Model:** Classic40\Classic41
- **Working condition requirements:**
 - ① Ambient temperature: 5 °C~40 °C;
 - ② Relative Humidity: ≤ 80%;
 - ③ Nominal Voltage: AC110 V±22 V;
 - ④ Nominal Frequency: 60 Hz±1 Hz;
 - ⑤ Water Pressure: 29psi~58psi;
 - ⑥ Input air pressure 72.5 psi~101.5 psi , Air flow ≥50 L/min;

Unit conversion	
MPa	psi
0.2MPa	29psi
0.4MPa	58psi
0.6MPa	87psi
0.8MPa	116psi

1.2 Symbols explanation

Table 1

 Manufacturer	 EU Representative	 Notice
 Manufacturing Date	 Serial Number	 Avoid Electric Shock
 Handle with Care	 Keep dry	 Ground protection
 Refer to introductions	 Refer to attached documents	

2 Compositions

The system Classic 40 is composed by following components.

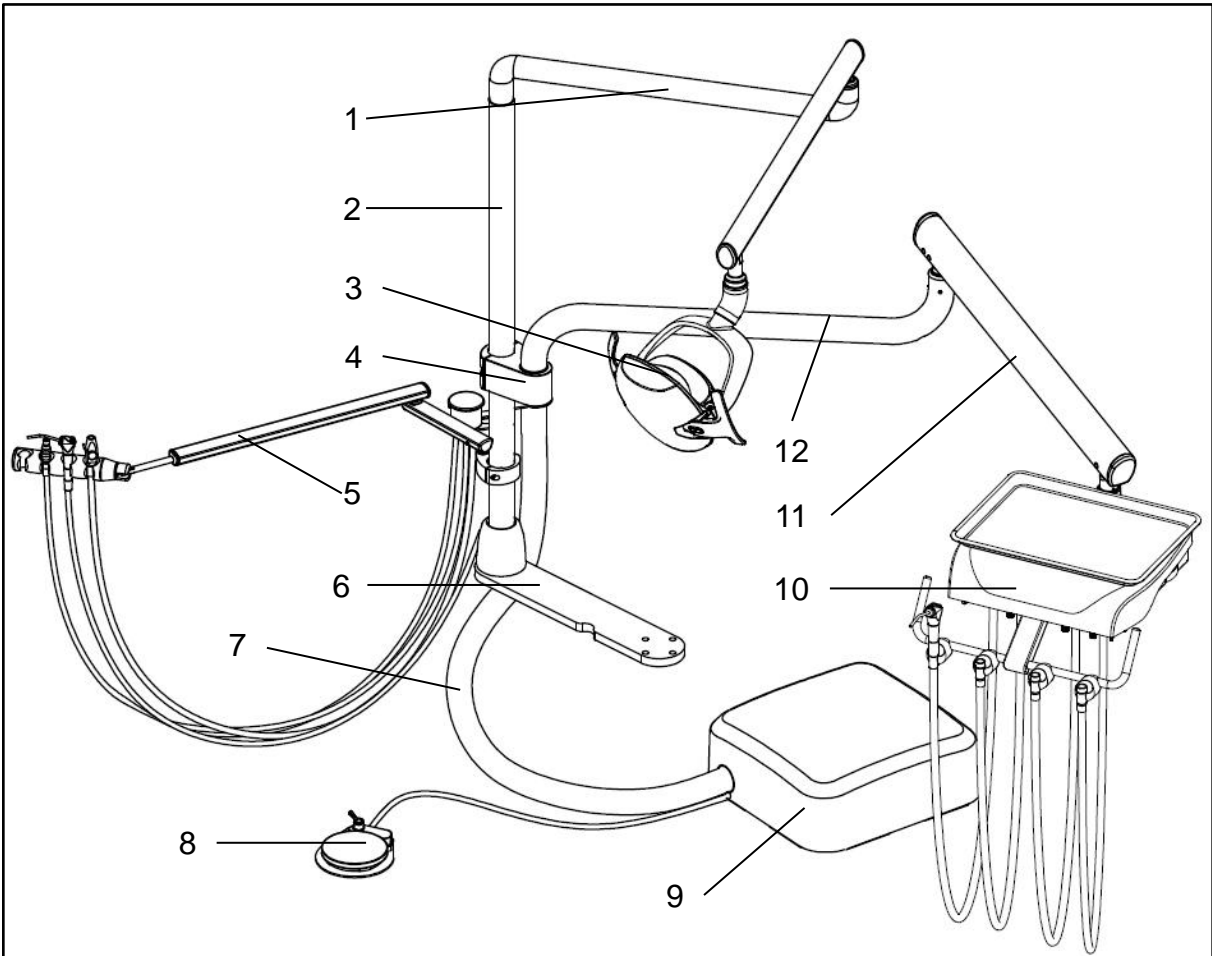


Figure 1

Item	Component	Item	Component
1	Light arm	7	Corrugated tube
2	Light post	8	Foot pedal
3	Dental light	9	Junction box
4	Clamp	10	Dentist's control
5	Assistant arm	11	Flexible Arm
6	Adapter	12	Rigid arm

The system Classic 41 is composed by following components.

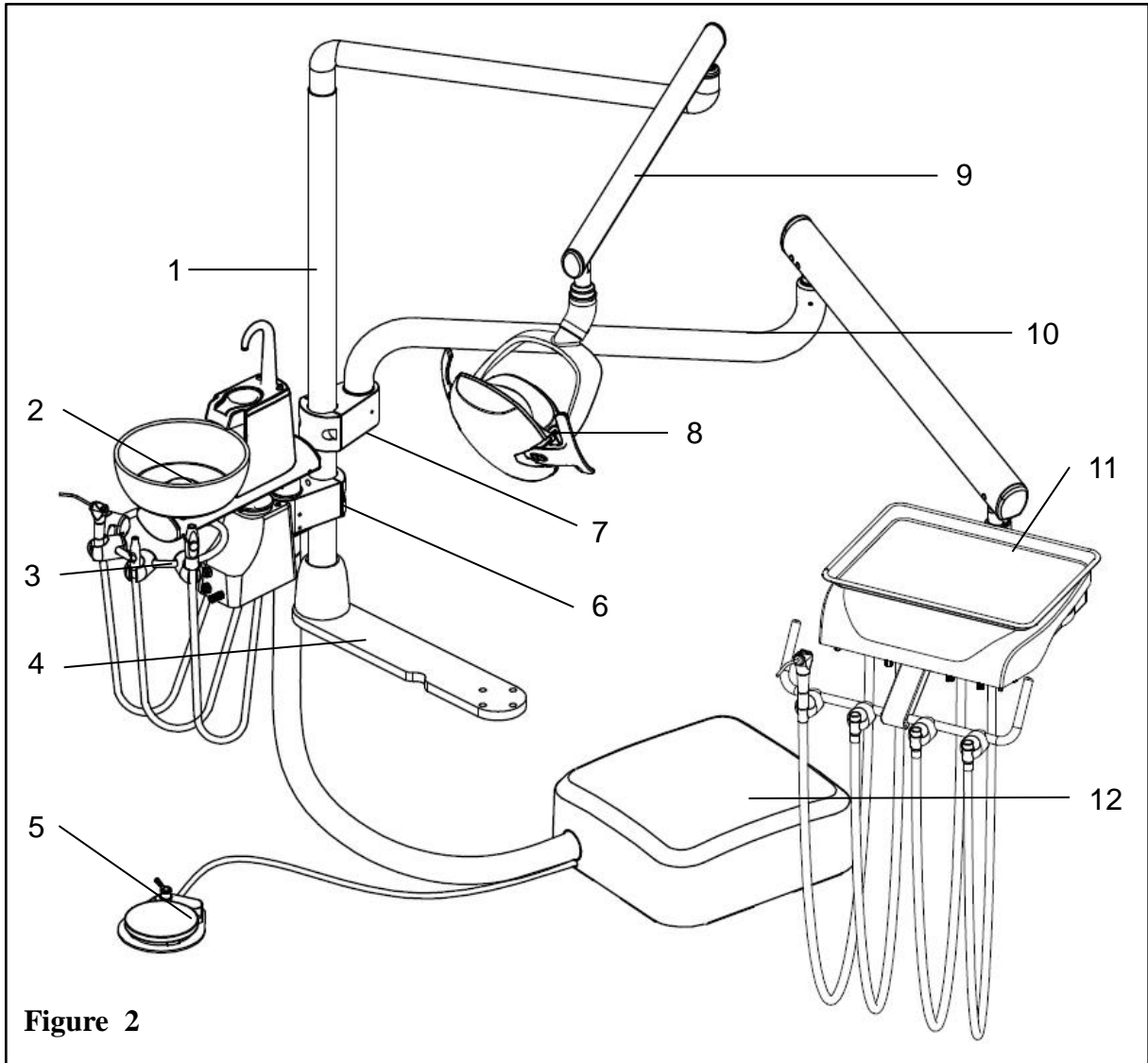


Figure 2

Item	Component	Item	Component
1	Light post	7	Dentist's control clamp
2	Cuspidor	8	Dental light
3	Assistant side	9	Light arm
4	Adapter	10	Rigid arm
5	Foot pedal	11	Dentist's control
6	Cuspidor clamp	12	Junction box

3 Sizes

Figure 3 Classic 40

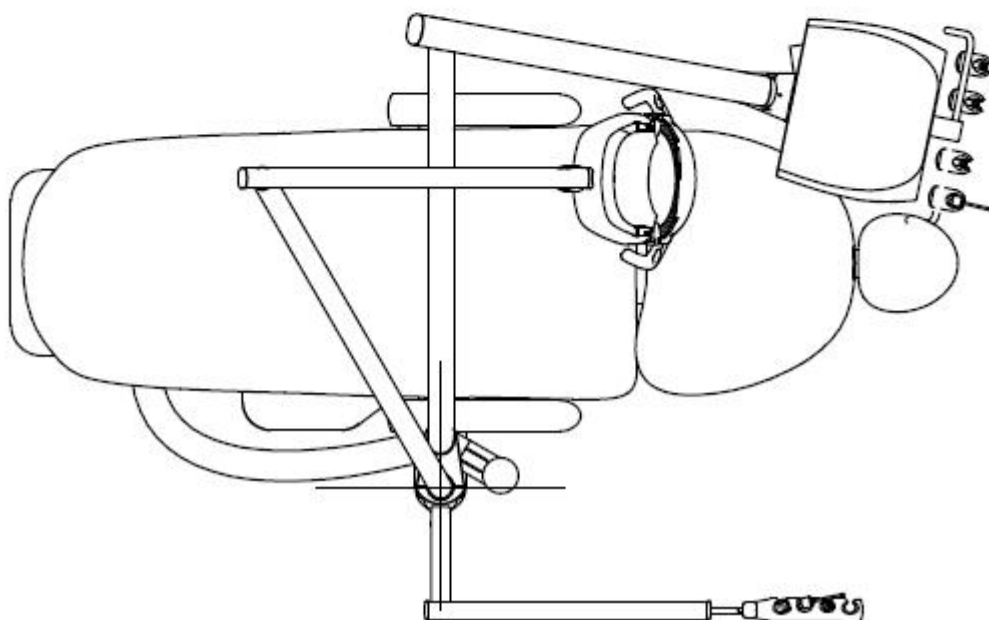
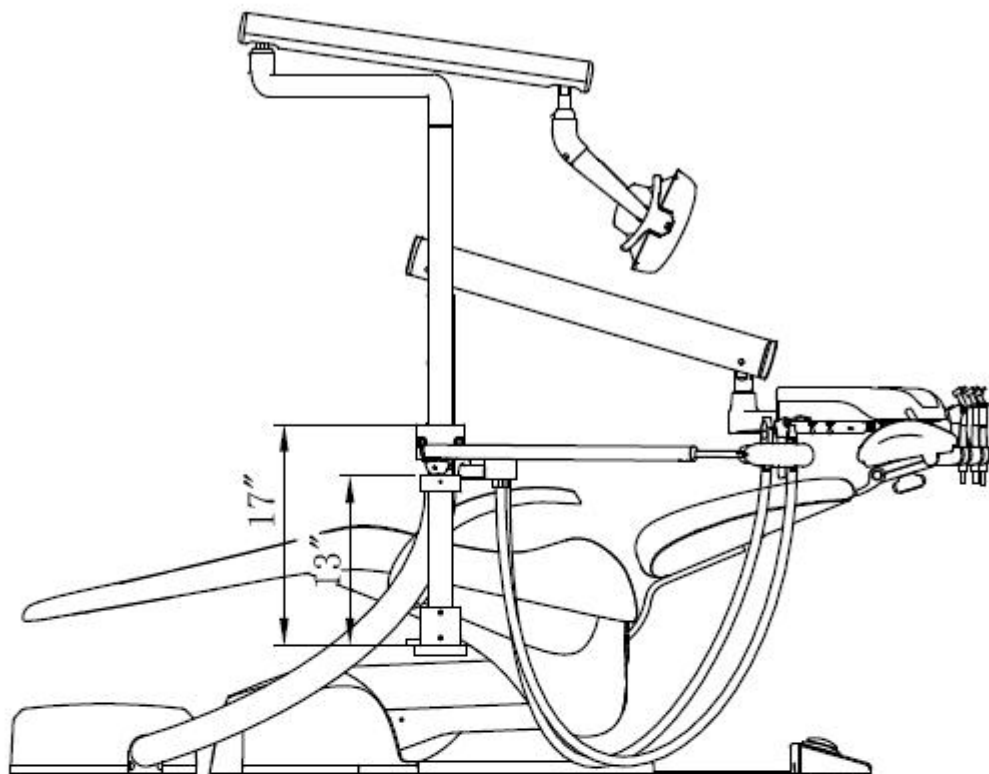
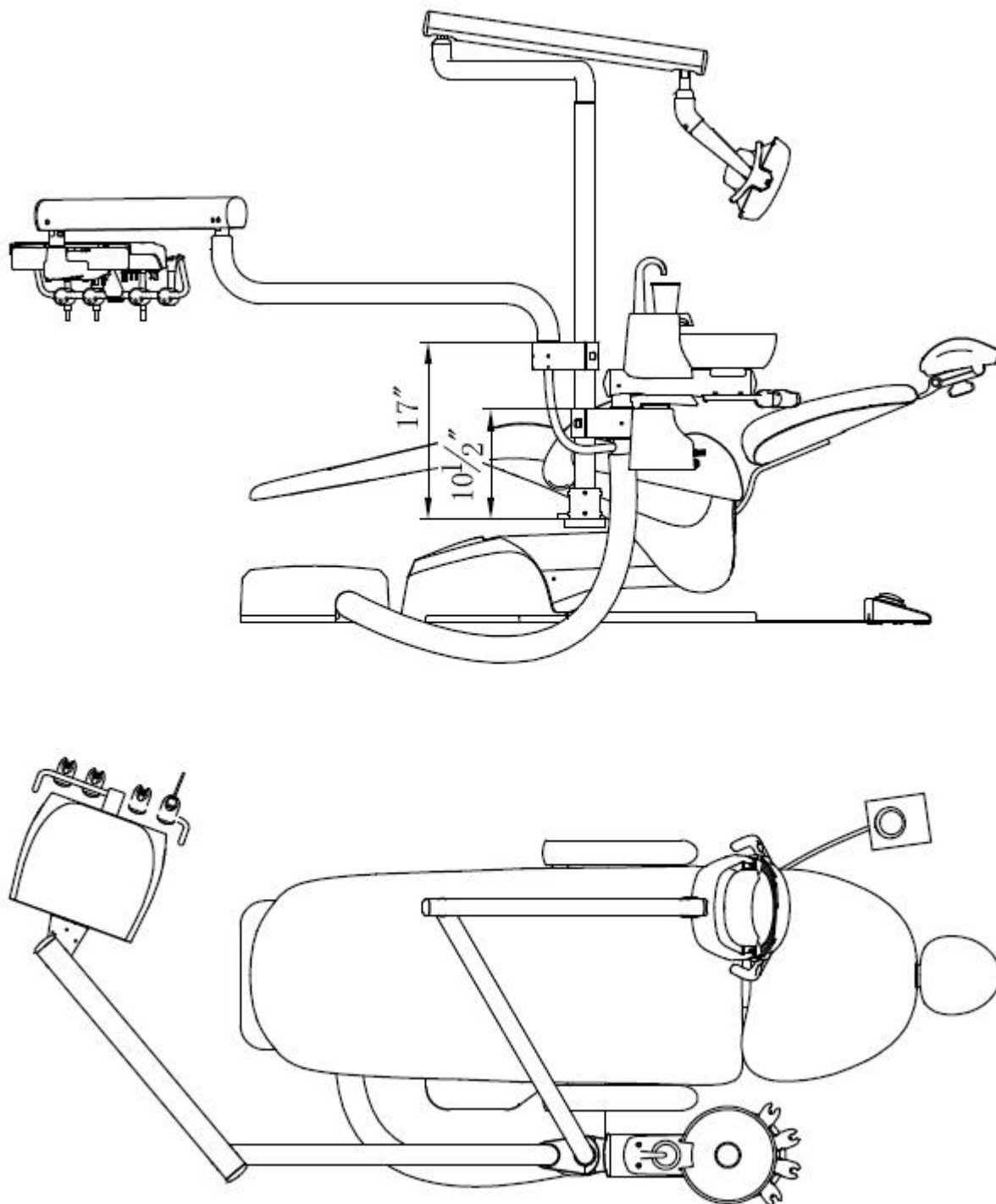


Figure 4 Classic 41



4 Specifications

Table 2

Light illuminance	8000-40000 Lux
Max load of delivery head	2.5kg
Ambient temperature	5 °C ~40 °C
Air supply pressure	72.5psi~101.5psi
Water supply pressure	29~58psi

5 Preparations

5.1 Attentions

Before install the unit, you should:

- Clear all the debris in the room ,and clean the floor thoroughly.
- Apply two manually operated valves for the air and water source.
- Exhaust the dirty water and air before connecting.

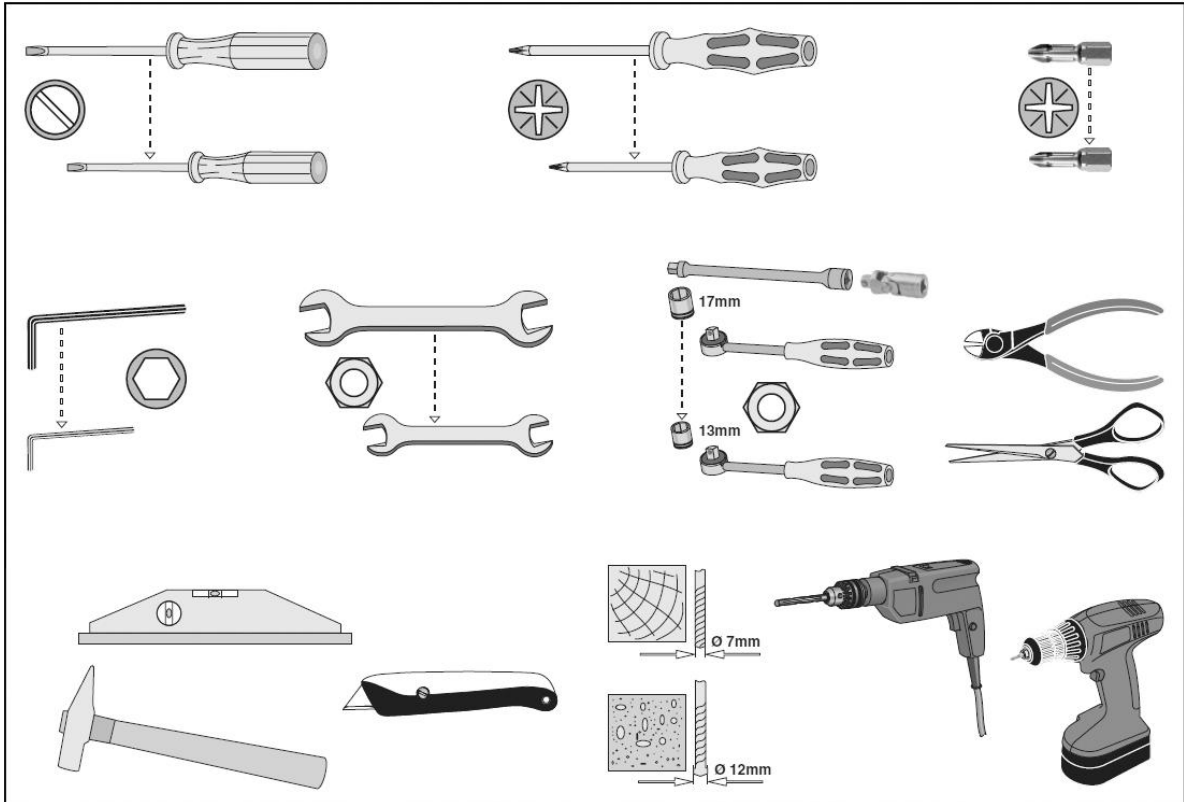
Before install the unit, please read the manual carefully:

- Input voltage AC110 V, 60 Hz.
- Make sure the dental unit is in good grounding.
- All the electrical components and connections should be made by an authorized technician.
- Only fuses and accessories recognized by ADS technician can be used.
- This device should not operate in the environment of high temperature, high humidity, vibration, flammability, unbalance, or dusty.
- Only the authorized spare parts can be used in this device.
- This device can not be used in the environment of strong magnetic, electromagnetic.

5.2 Tools recommended

The tools and instruments need to prepare before installation.

Figure 5

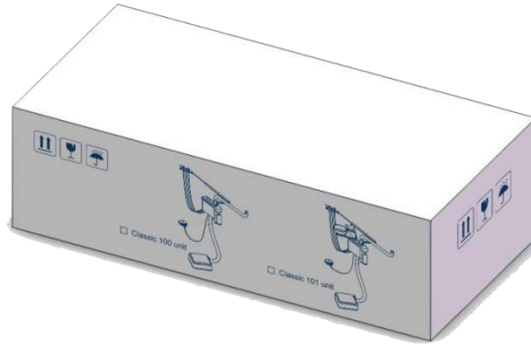


5. 3 Installation sequence

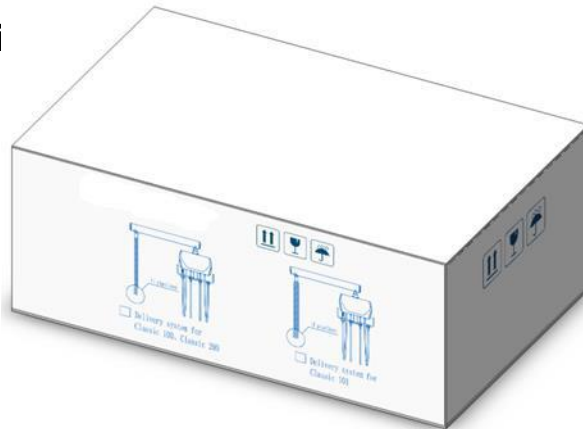
Installing packages of the Classis 40\41 system. Please install these packages as the sequence below.

Figure 6 Installing Packages

1 Classic side box unit



2 Classic dentist unit



3 Dental light unit



 **Notice:**
Each box contains all the parts that belong to the package .

6 Installation

It is necessary to check whether the system and its accessories are damaged after unpacking. In addition, please check all accessories according to the accessories list. Please install the unit in following orders.

6.1 Fix the chair adapter

1. The system should be mounted to the dental chair.
2. Fix the adapter on the chair frame with screws.

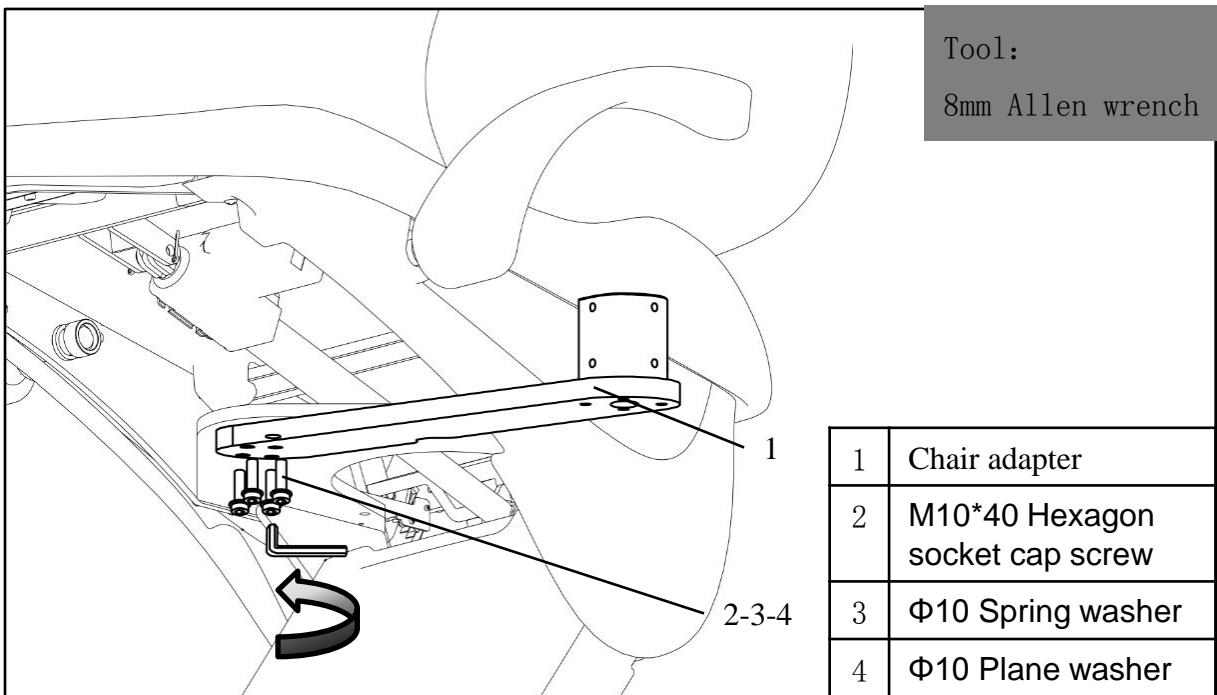


Figure 7



Attention: Completely tighten the screws to avoid water unit loosening during operation.

6.2 Install Cuspidor

1. Put the cover on the post and place it in the holder. Tighten the screws with Allen wrench, and level it with a spirit level.

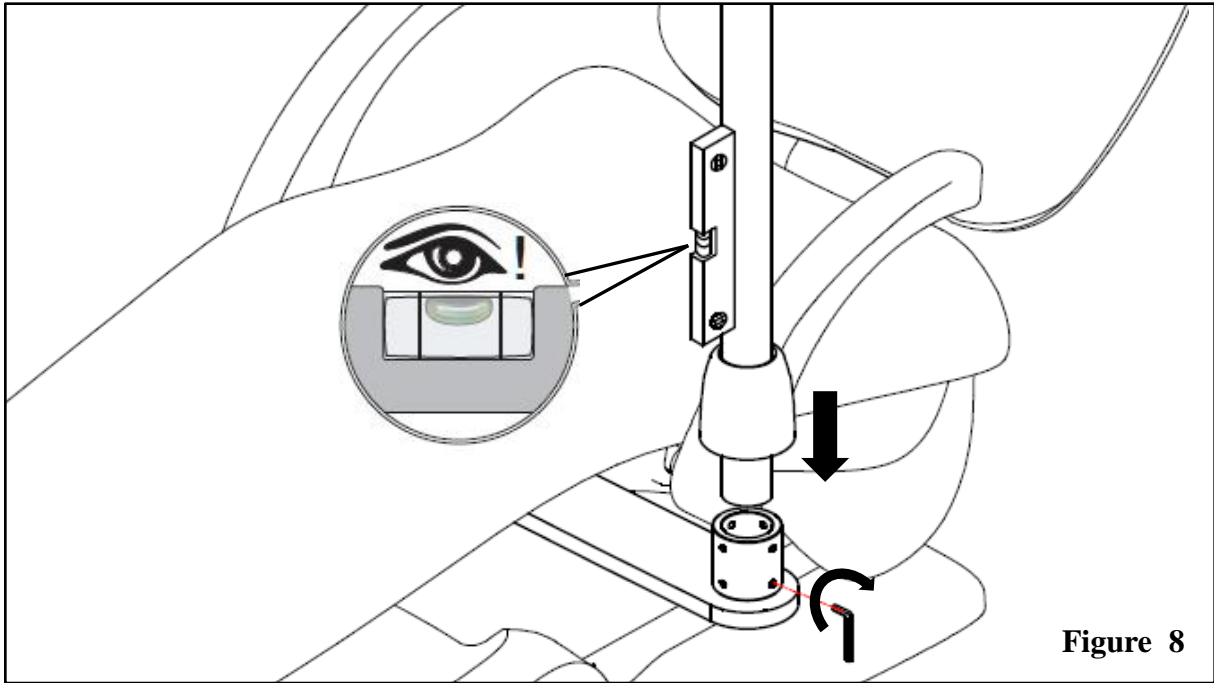


Figure 8

2. Install the cuspidor clamp to the post with screw, and install it as required. (Reference height 270mm)

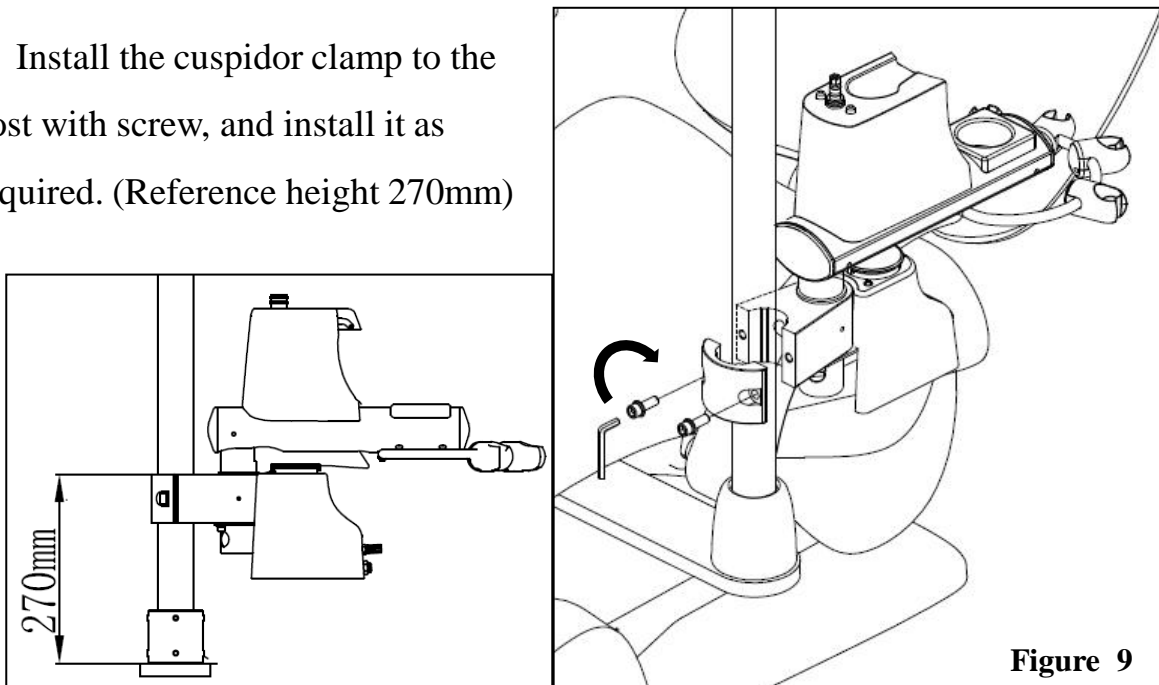


Figure 9

3. Put the cuspidor bowl into the cuspidor, and put filter 1, cover 2, and install the filling pipe 3.

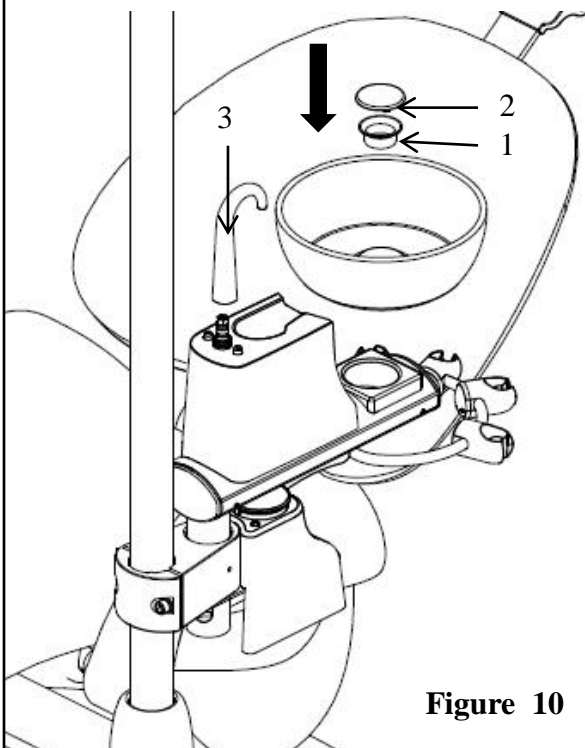


Figure 10

4. Put the HVE, SE handle and syringe handle to the assistant hanger.

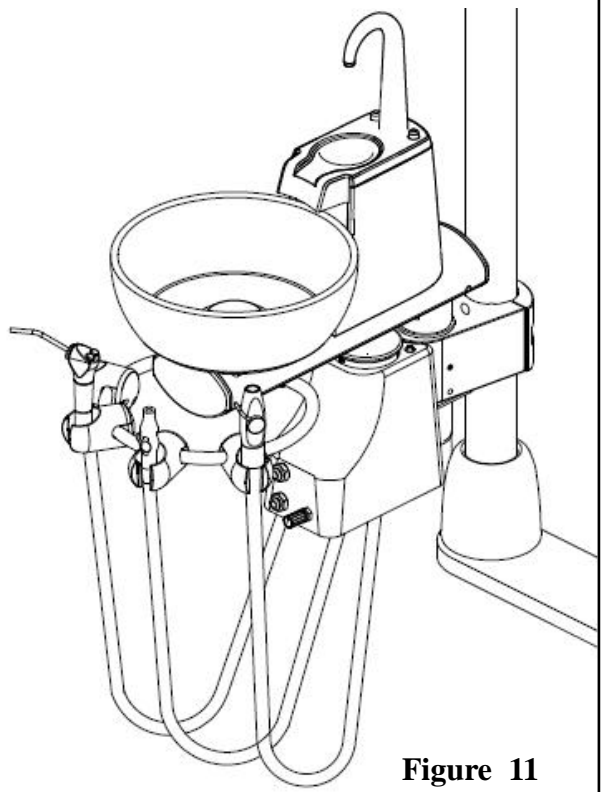


Figure 11

6.3 Install the dentist unit(Classic 40/41)

1. Install the assistant hanger to the bottom of cuspidor, tighten it with two screws.

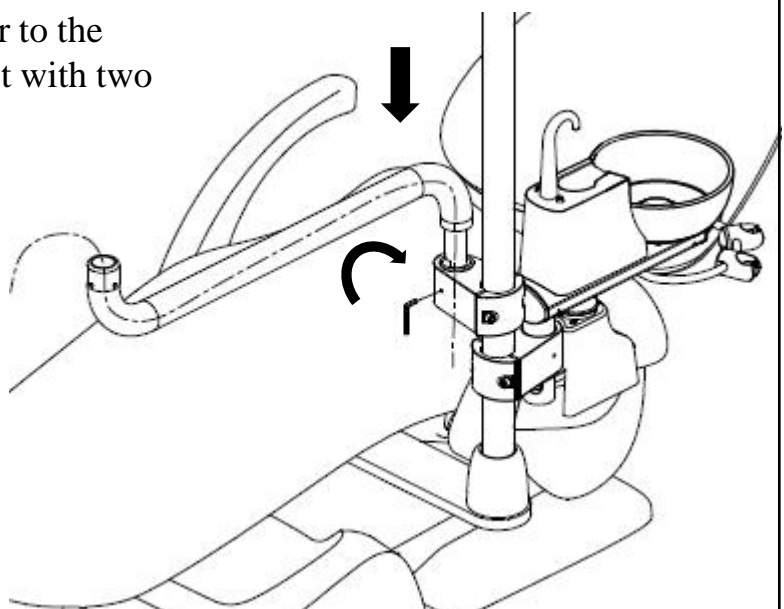
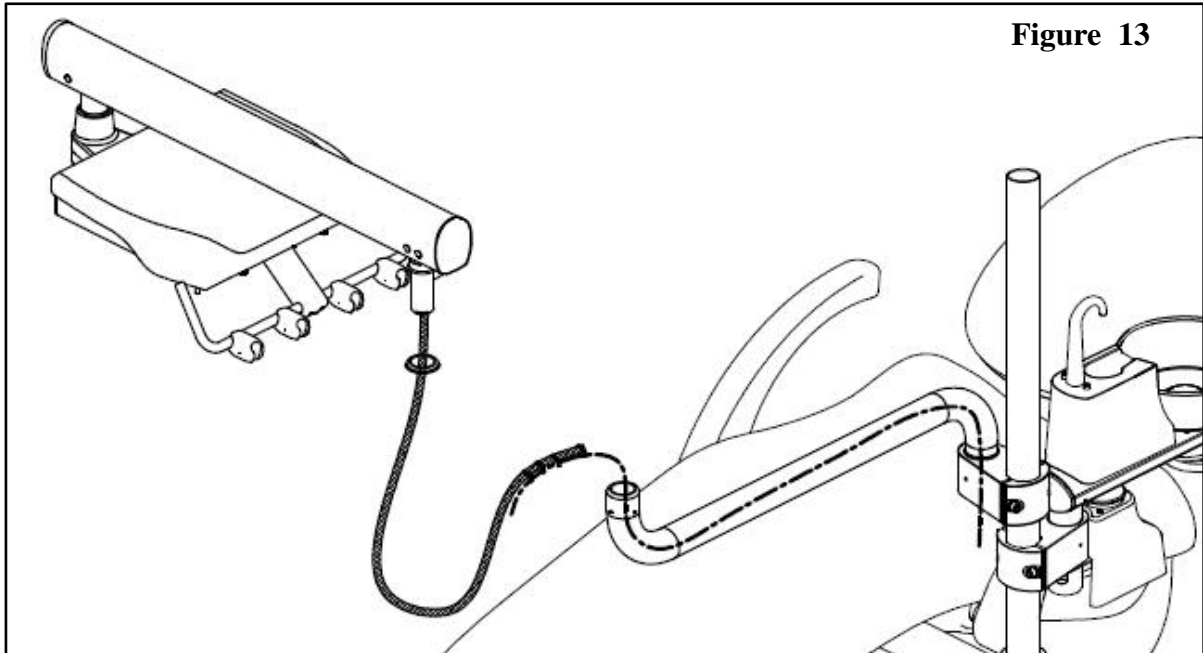
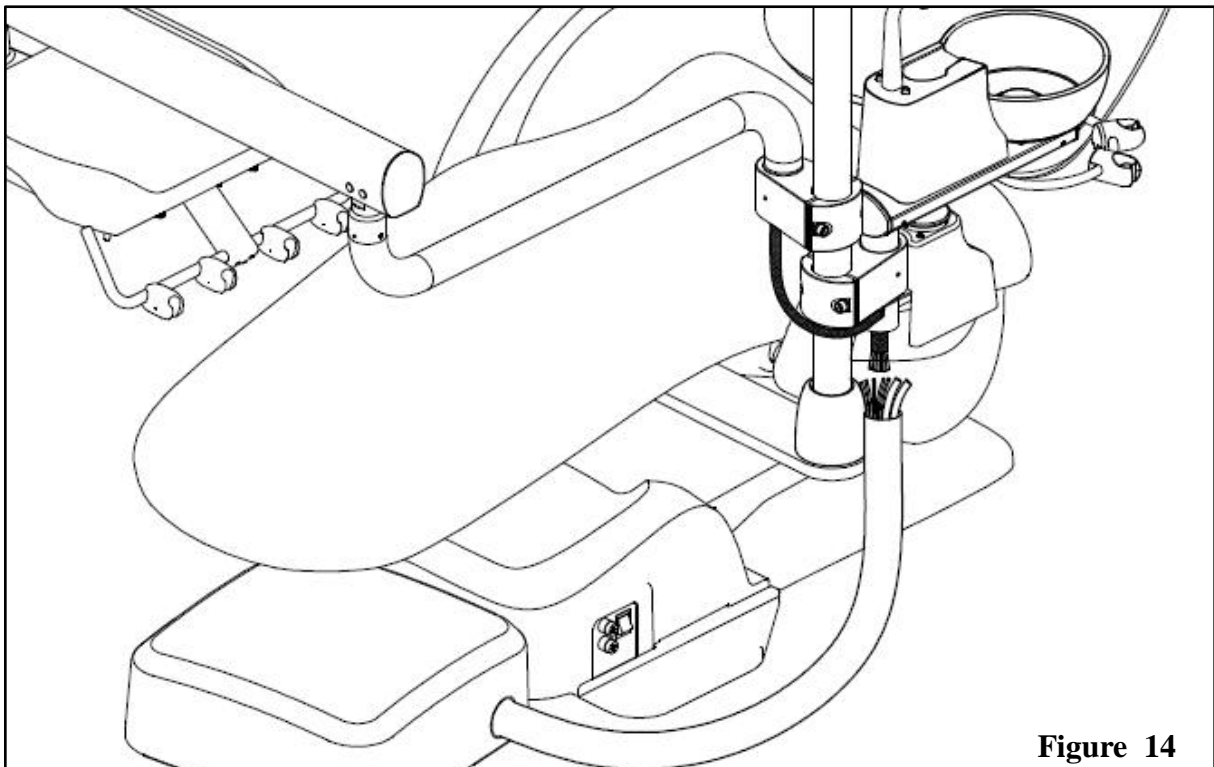


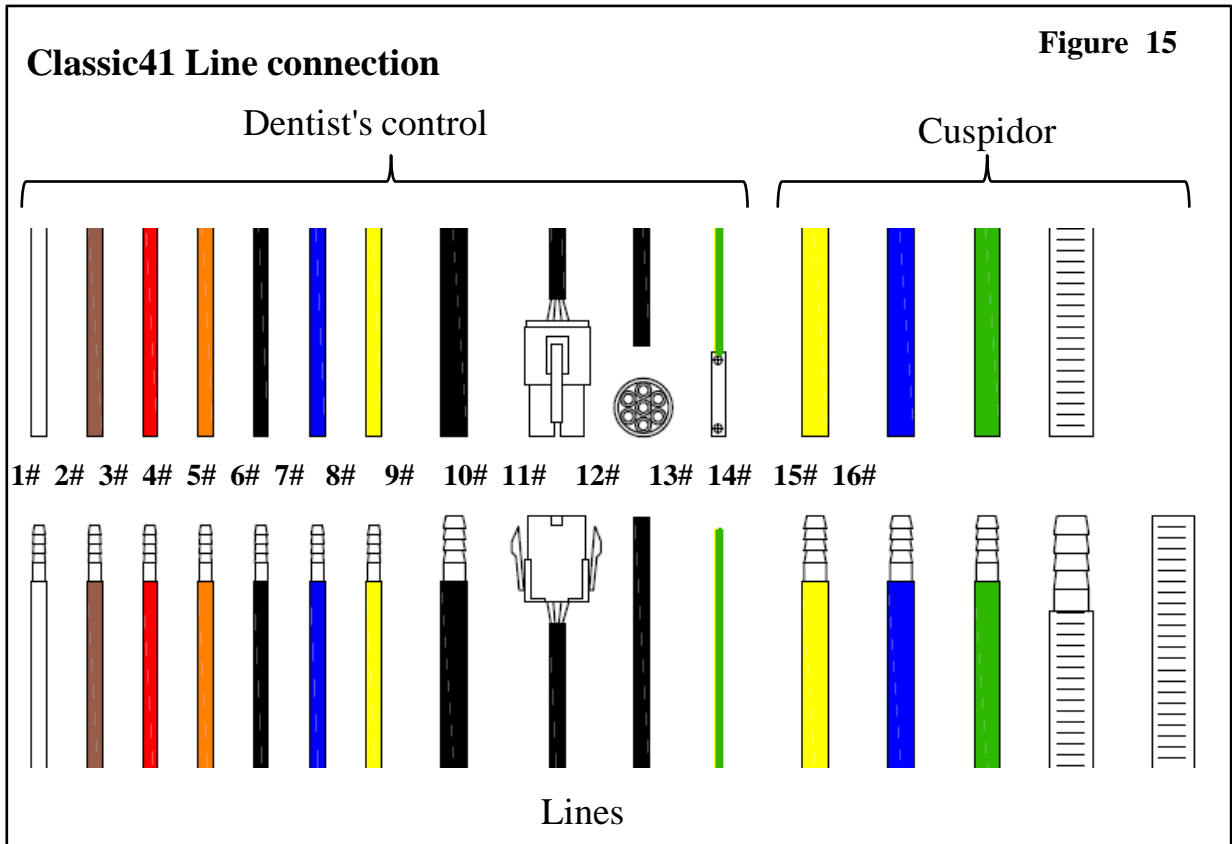
Figure 12

2. Let the ring through the line, and connect with the line of rigid arm. Pull the line, let the line of dentist's control through from rigid arm to clamp.



3. Let the line through the clamp of cuspidor, connect with the tubes in same colors as the figure shown.

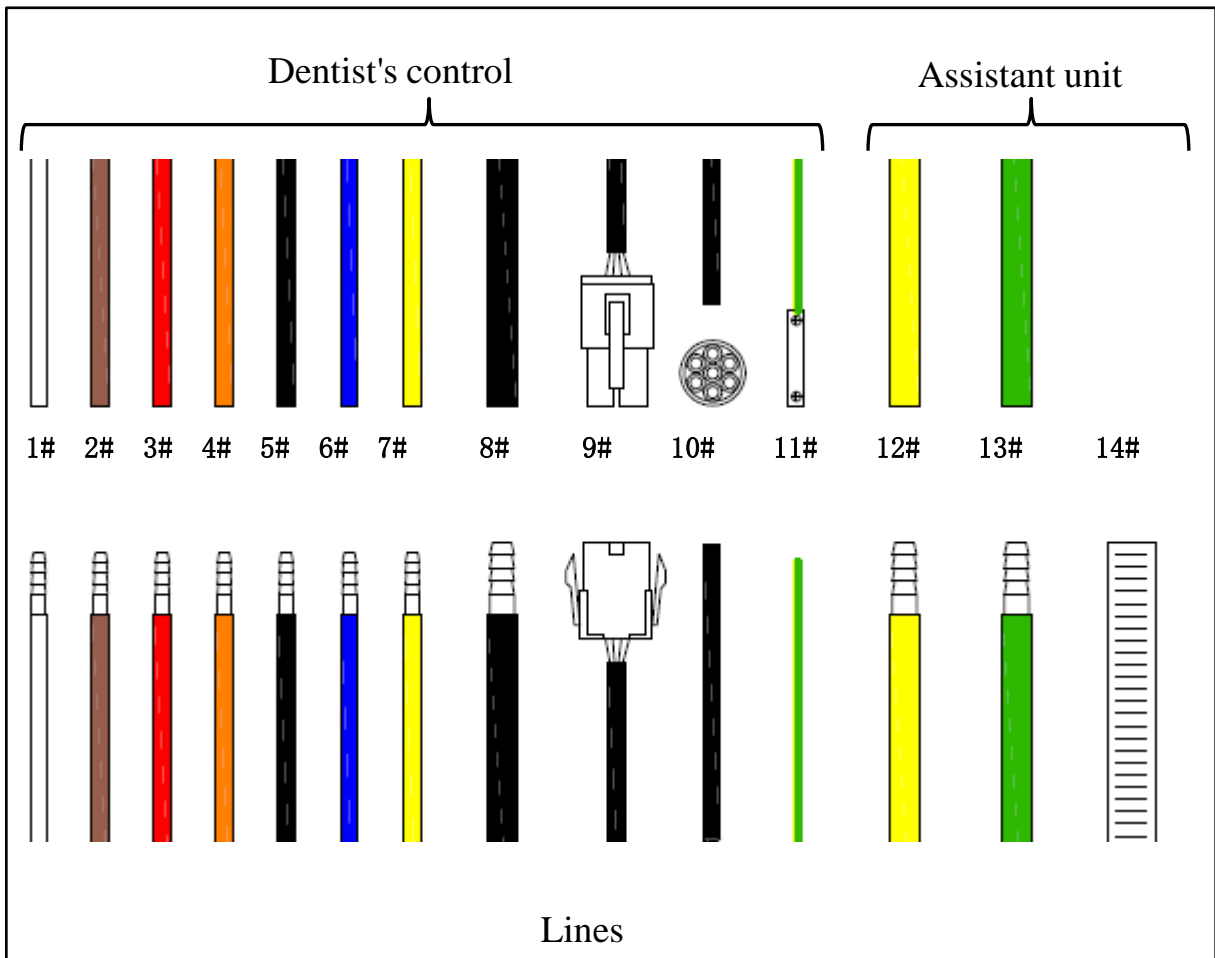




- | | |
|---|---|
| <ul style="list-style-type: none"> 1. 1/8" white, for dentist unit 2. 1/8" brown, for dentist unit 3. 1/8" red, for dentist unit 4. 1/8" orange, for dentist unit 5. 1/8" black, for dentist unit 6. 1/8" blue, for dentist unit 7. 1/8" yellow, for dentist unit 8. 1/4" black, for dentist unit | <ul style="list-style-type: none"> 9. Control wire for dentist unit 10. 7 core power cord for dentist unit 11. Ground wire, for dentist unit 12. 1/4" yellow, for cuspidor 13. 1/4" blue, for cuspidor 14. 1/4" green, for cuspidor 15. Threaded pipe, for cuspidor 16. Threaded pipe, for filter |
|---|---|

Classic40 Line connection

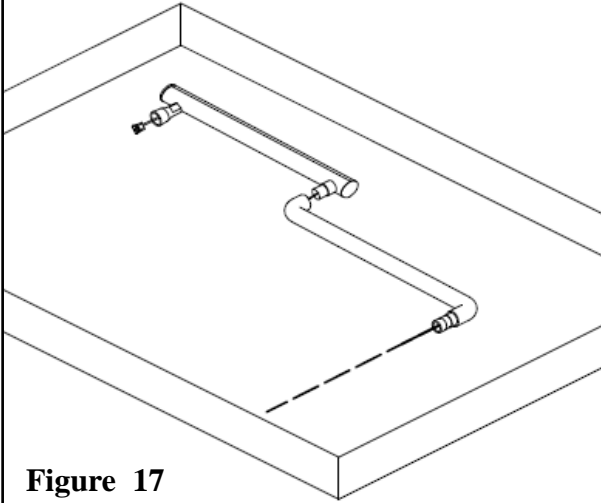
Figure 16



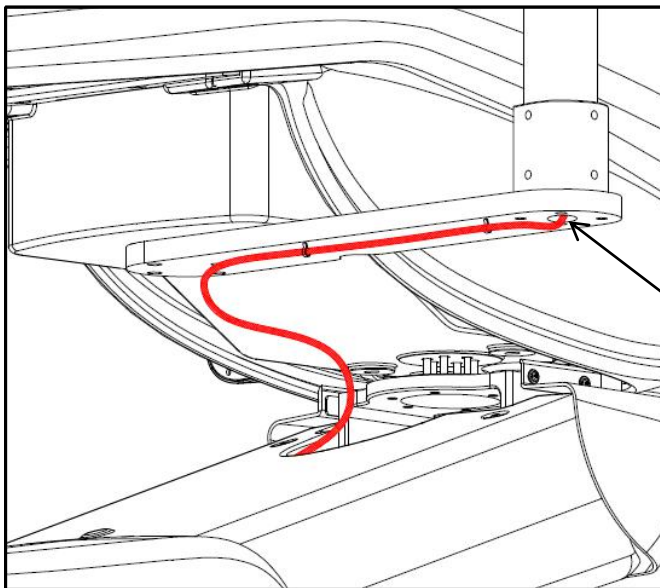
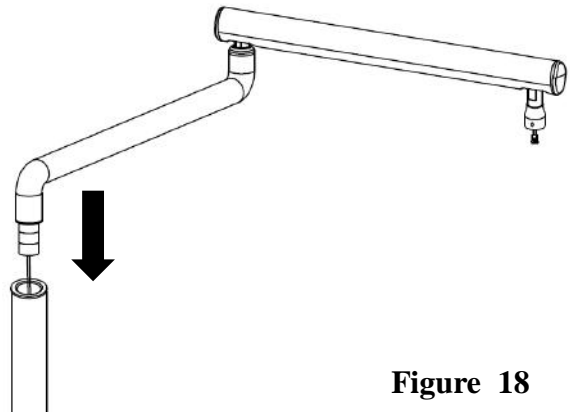
- | | |
|----------------------------------|--|
| 1. 1/8" white, for dentist unit | 8. 1/4" black, for dentist unit |
| 2. 1/8" brown, for dentist unit | 9. Control wire for dentist unit |
| 3. 1/8" red, for dentist unit | 10. 7 core power cord for dentist unit |
| 4. 1/8" orange, for dentist unit | 11. Ground wire, for dentist unit |
| 5. 1/8" black, for dentist unit | 8. 1/4" yellow, for assistant unit |
| 6. 1/8" blue, for dentist unit | 9. 1/4" blue, for assistant unit |
| 7. 1/8" yellow, for dentist unit | 10. Threaded pipe, for filter |

6.4 Install dental light

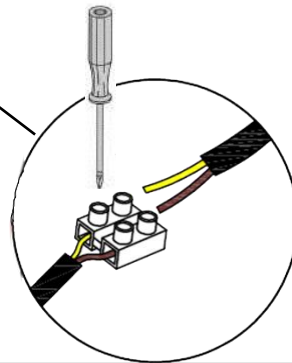
1. Joint the level arm and the rotary arm, take them out from the carton .



2. Put the connecting shaft of lamp arm into the intermediate post, let the wire pass through the post and reach to the water unit.



3. Fix the reserved light wire to the chair adapter, and pass through the hole of the adapter.



4. Take out the lamp from the package, pass the wire through the cosmetic ring and connect the wire terminals, then joint the light head and the level arm together, fully fasten with a M5*12 screw.

Note: Hold the lamp, do not drop it to void damage

Tool:
4mm Allen wrench

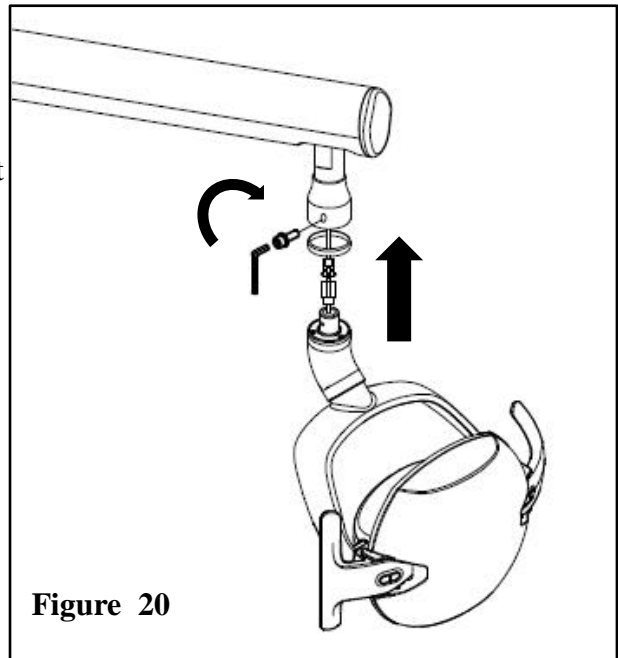


Figure 20

6.5 Install the assistant unit(Classic 40)

1. Install the clamp of assistant side for the correct height to the post, and tighten the clamp with screw. Put the HVE & SE valves and 3-way syringe to the holder.

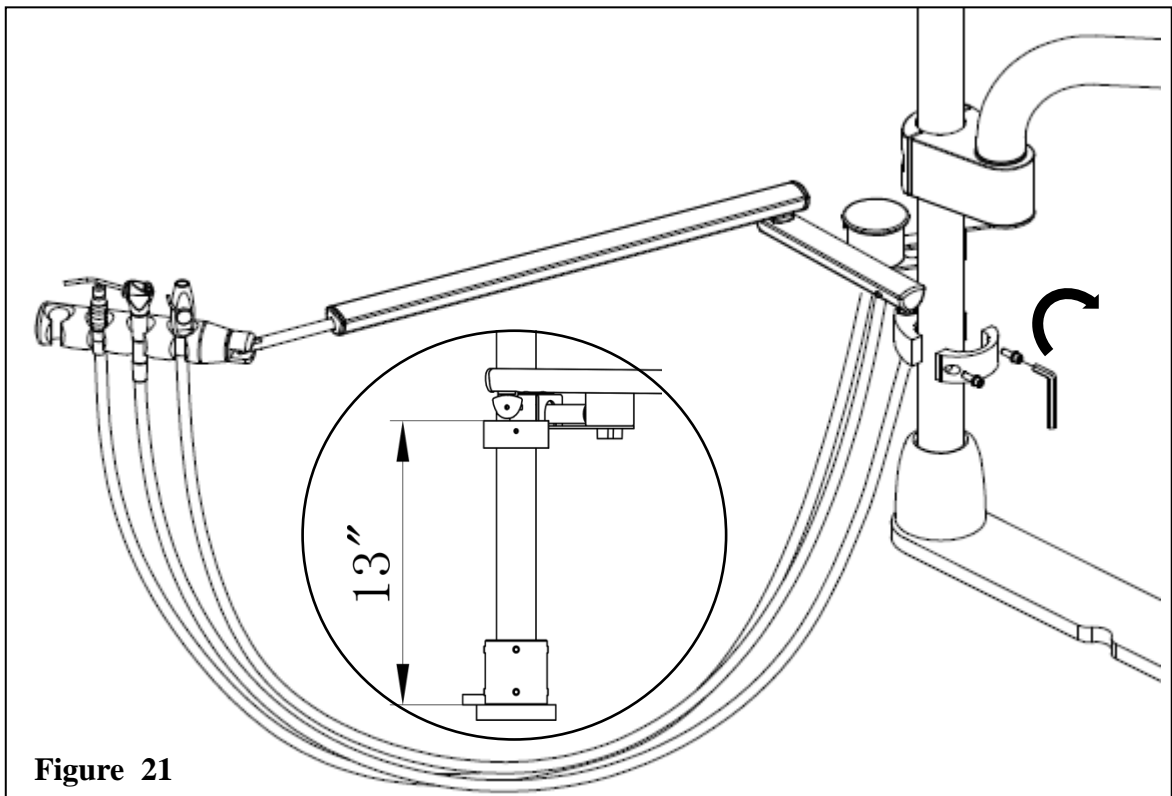


Figure 21

6.6 Install junction box

6.6.1 Junction box connections

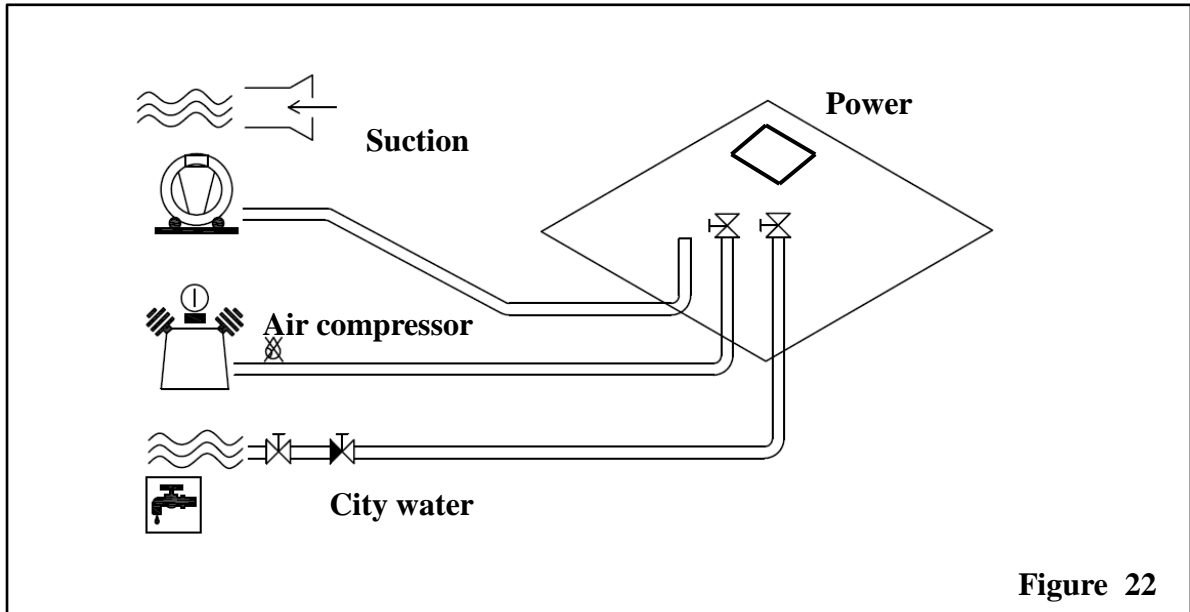


Figure 22

6.6.2 Tubes cleaning before connecting

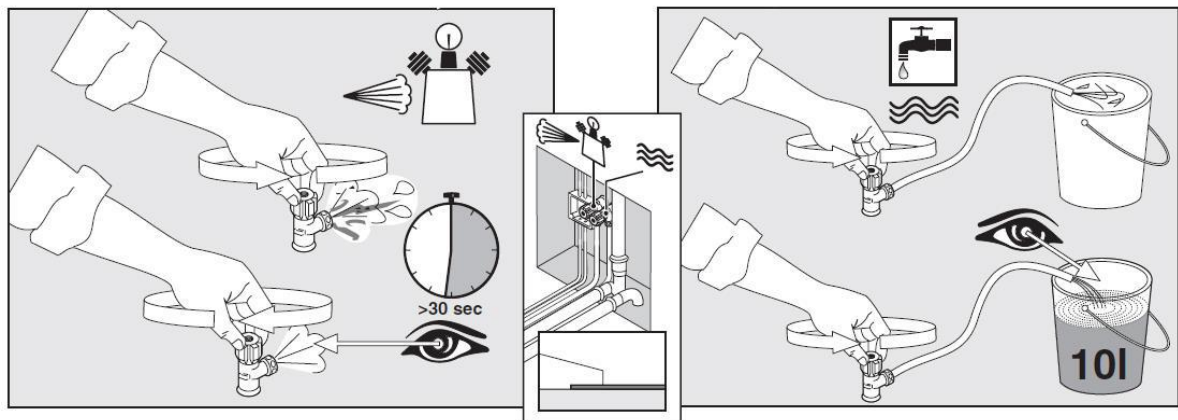


Figure 23

The tubes & wires are in the tubing zone or inside the external junction box, their places depend on your chair configurations.

1. Open the valves to exhaust water and air, clean the tubes before connecting.
2. Open the cover of the junction box, connect the air-in, water-in and water-out .
3. Take out the power box of dental light ,connect the power cord to the power box, and plug into the socket.
4. Close the cover after making sure they are well-performed.

