



<http://www.adsequip.com/>

# Installation Manual of Cabinet mount rear left/right swing delivery system

## **Copyrights**

ADS makes no warranty of any kind with regard to this material , including but not limited to, the implied warranties of merchantability and fitness for a particular purpose. ADS shall not be held liable for any errors contained herein or any consequential or other damages concerning furnishing, performance or use of this material. The information in this document is subject to change without notice . If you find any problems in the documentation, please report them to us in writing. ADS does not warrant that this document is error-free.

No part of this document may be copied, reproduced, altered, or transmitted in any form or by any means, electronic or mechanical, including photocopying, recording, or by any information storage and retrieval system, without prior written permission from ADS.

The document is intended to be used in conjunction with the equipment.

## **Comments and feedback**

Please contact us if you have any feedback and opinions on this document :

Add: 1590 S Milliken Ave., unit A, Ontario, CA 91761

Tel: (626) 620 0456

E-mail : [sales@adsequip.com](mailto:sales@adsequip.com)

<http://www.adsequip.com/>

## **Product service**

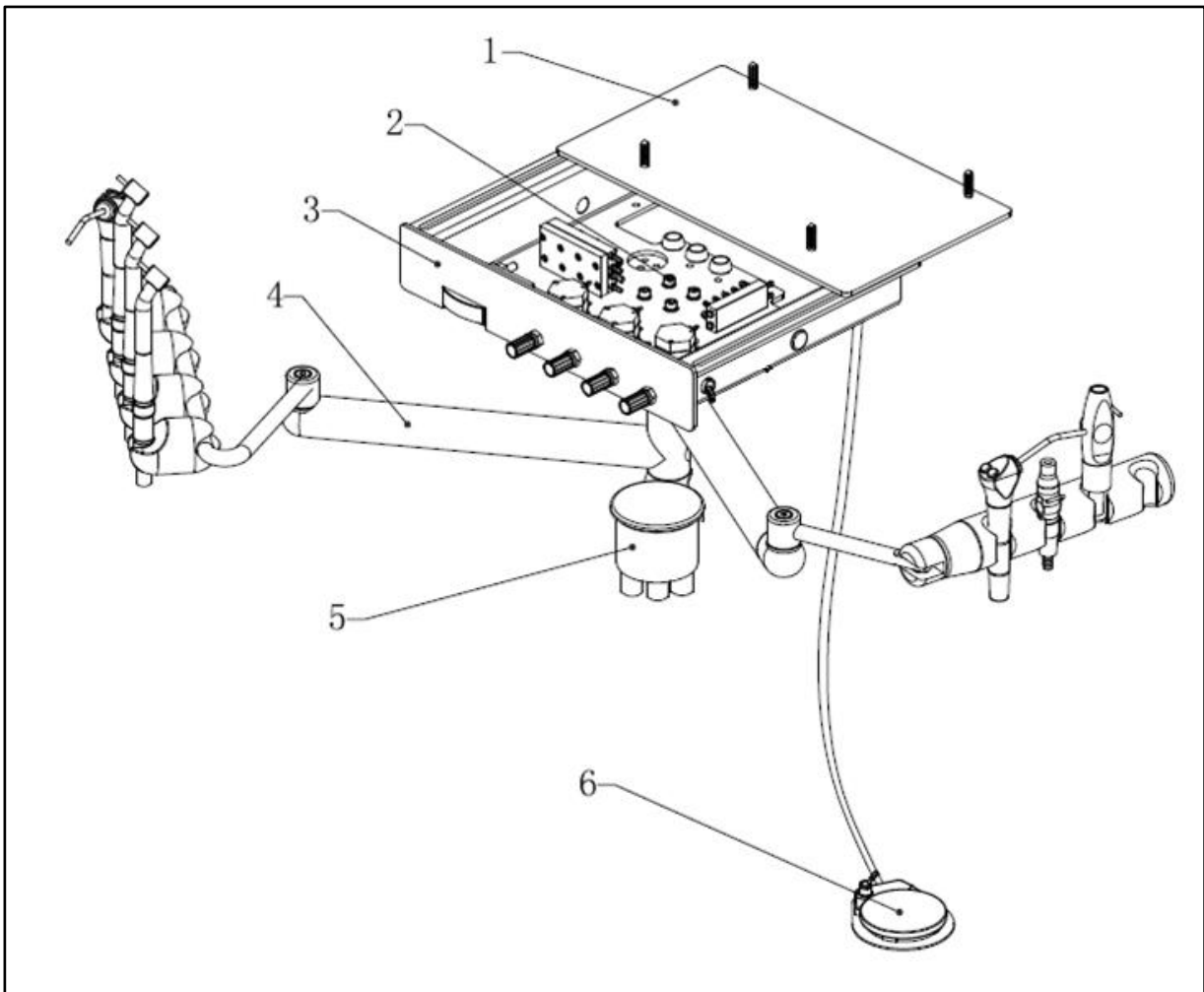
If you want to get service information, please contact the local dealer authorized by ADS company.

Technical support tel : 800 488 9708

# C O N T E N T S

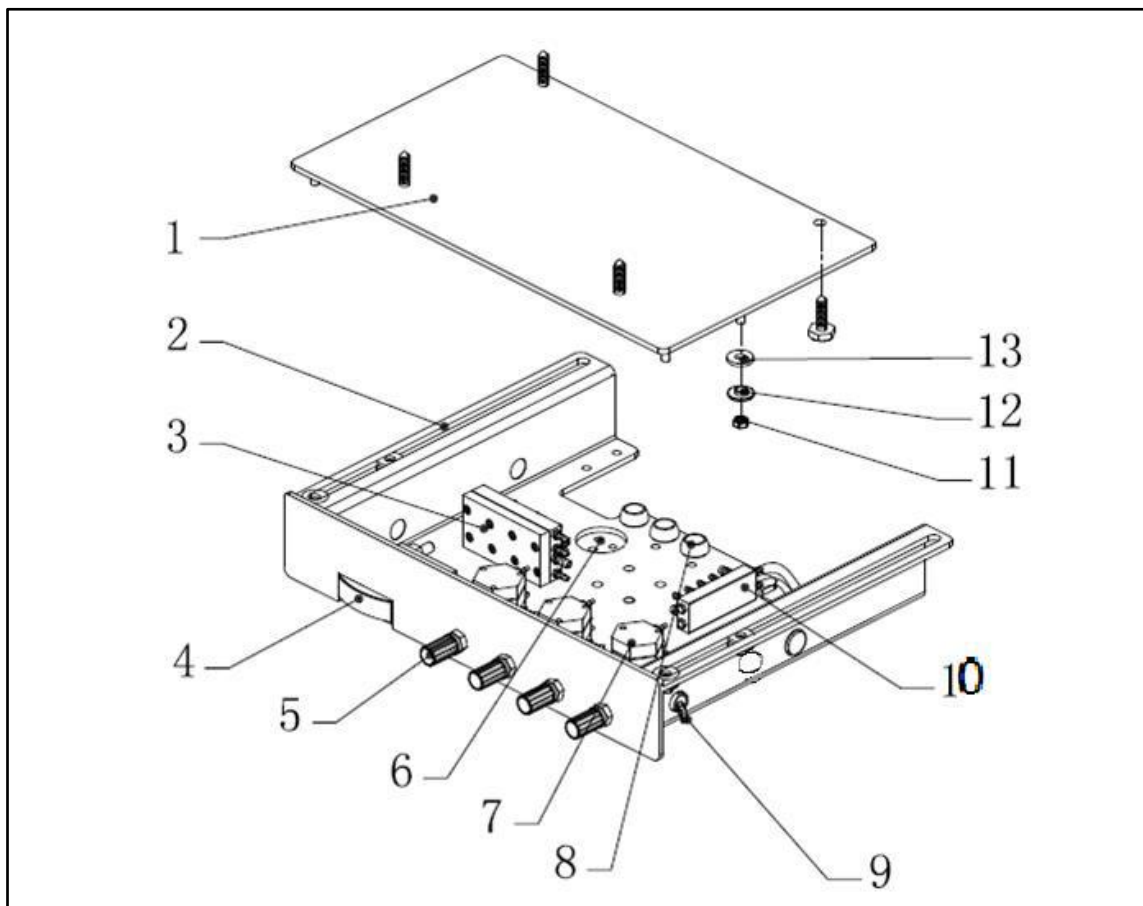
<b>1</b>	<b>Compositions.....</b>	<b>1</b>
<b>2</b>	<b>Sizes.....</b>	<b>4</b>
<b>3</b>	<b>Installation.....</b>	<b>4</b>
<b>4</b>	<b>Operations.....</b>	<b>5</b>
4.1	Functions introduction.....	6
4.2	Foot control.....	7
<b>5</b>	<b>Water diagrams.....</b>	<b>8</b>

# 1. Compositions



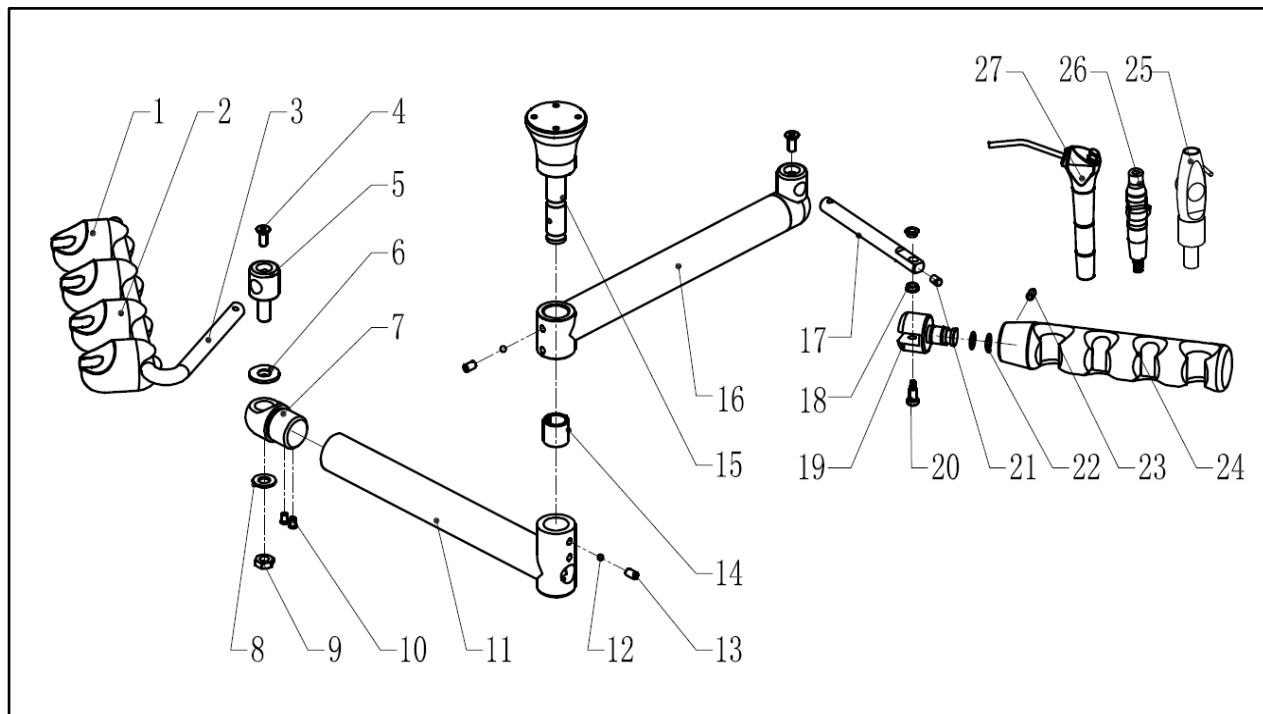
1	Slide mount top plate	4	Swing duo arm assembly
2	5*16 Hex cap screw assembly	5	Vacuum canister kit
3	Rear delivery head assembly	6	Foot control

# Installation Manual of Cabinet mount rear left/right swing delivery system



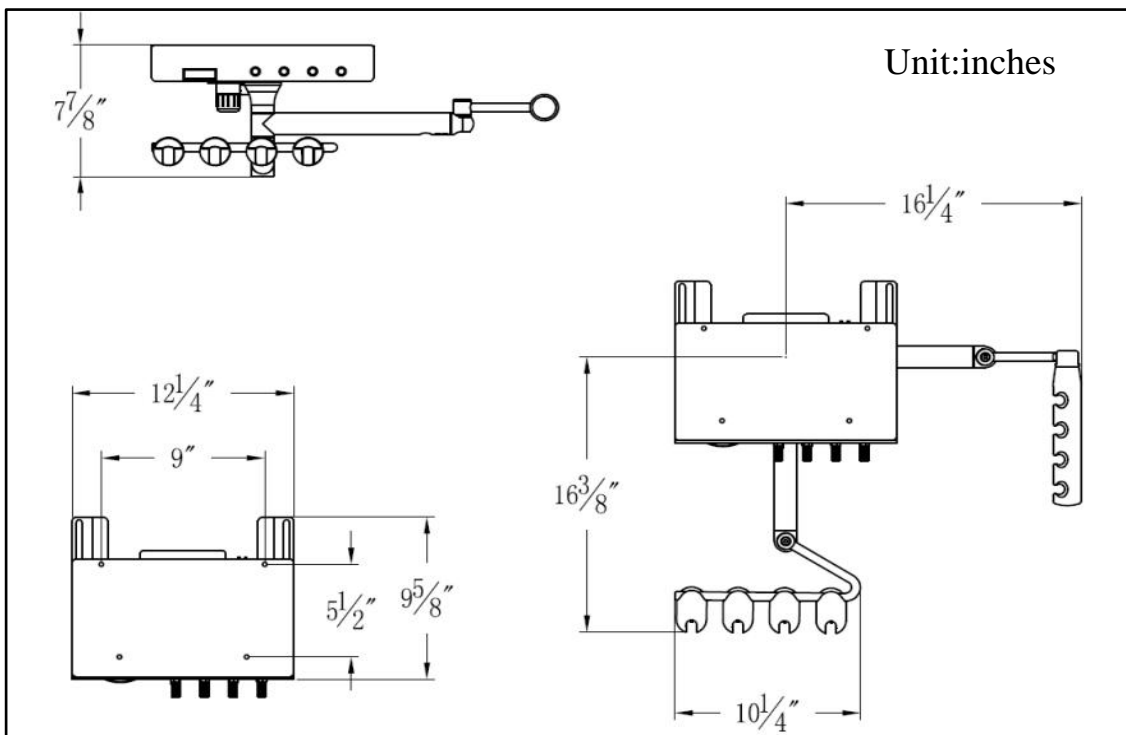
1	Slide mount top plate	8	H.P hose holes
2	Chassi	9	3-Way toggle valve
3	Control block	10	Manifold block
4	Air pressure gauge	11	M5 Locking nut
5	Needle flow valves	12	Flange washer
6	Dirty collector	13	Delrin spacer
7	Water controlled valve		

# Installation Manual of Cabinet mount rear left/right swing delivery system

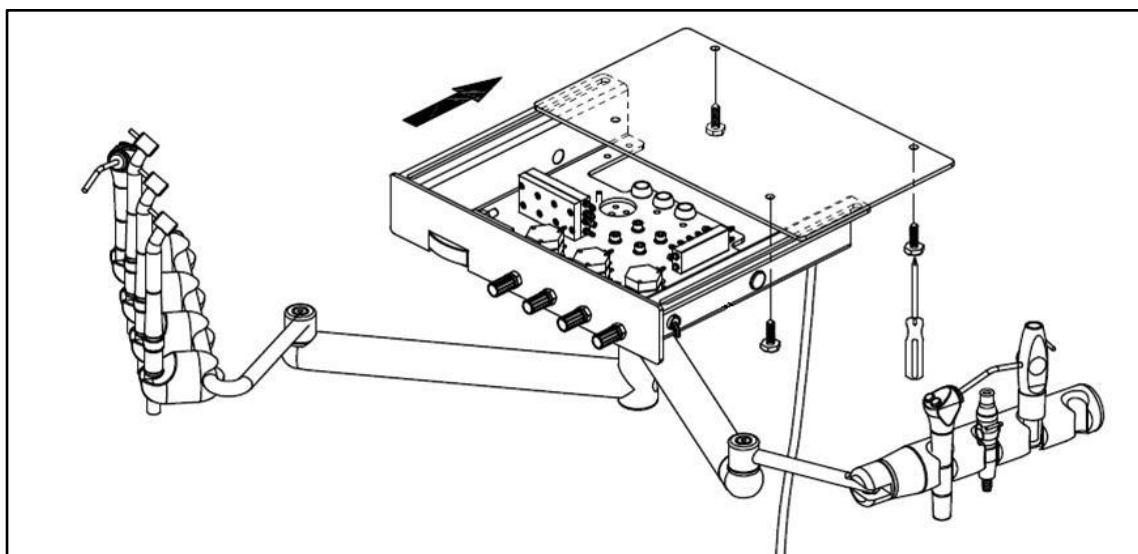


1	Molded syringe holder	15	Swivel collar pivot pin
2	Molded autoholder	16	Swing arm assembly upper
3	DE-6 Bent holder bar	17	Short bar
4	M6*16 Hex countersunk screw	18	Sleeve
5	Holder bar shaft	19	Assistant holder shaft
6	Washer	20	Φ6*16*M5 Shoulder screw
7	Holder bar shaf mount	21	M*5 Hex set screw
8	Washer	22	Φ12*Φ1.5 Metric seal ring
9	M10 Locking nut	23	M6*10 Hex jackscrew
10	M5*12 Philip's countersunk screw	24	Assistant holder
11	Swing arm assembly lower	25	Metal HVE valve with rotor
12	Φ5 Ball bearing	26	Metal SE valve with rotor
13	M6*8 Hex set screw	27	3-Way syringe
14	Φ16 Sleeve		

## 2. Sizes

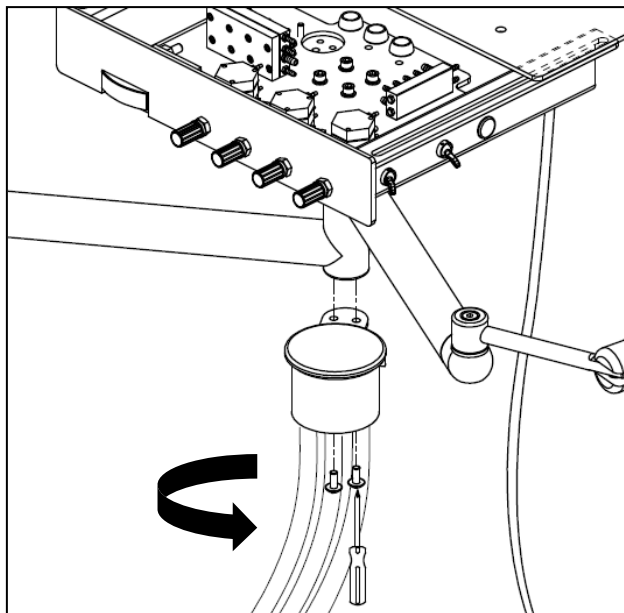


## 3. Installation



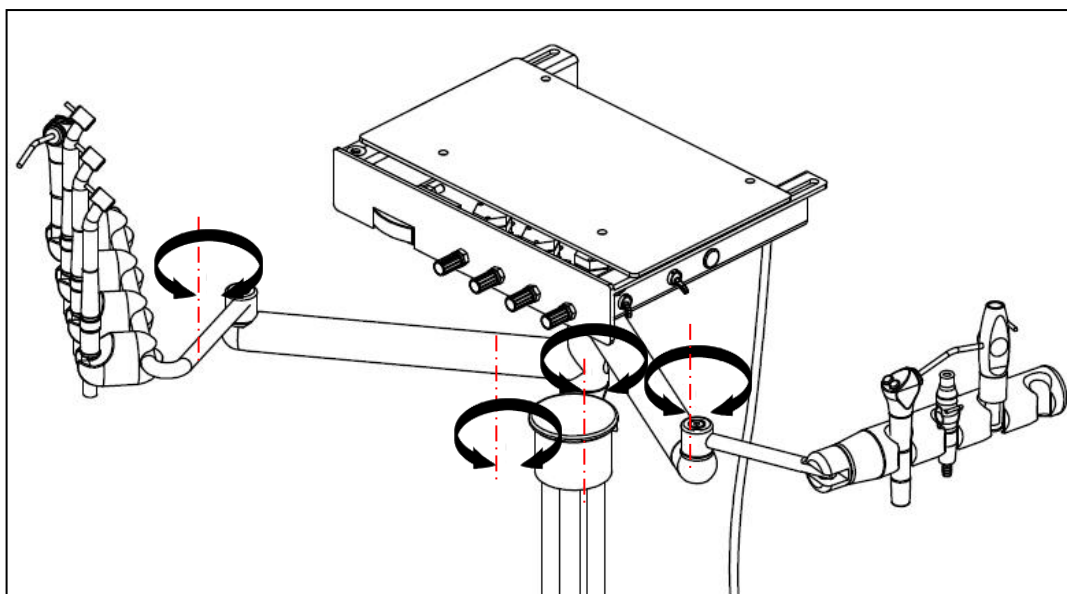
1. Slide and open the top plate, install the unit under the table, fix it with four M6\*25 outer hex Philip's tap screws.

2. Install the vacuum canister to the lower part of the swing arm assembly, and fix it with two 5\*12 outer hex Philip's screws



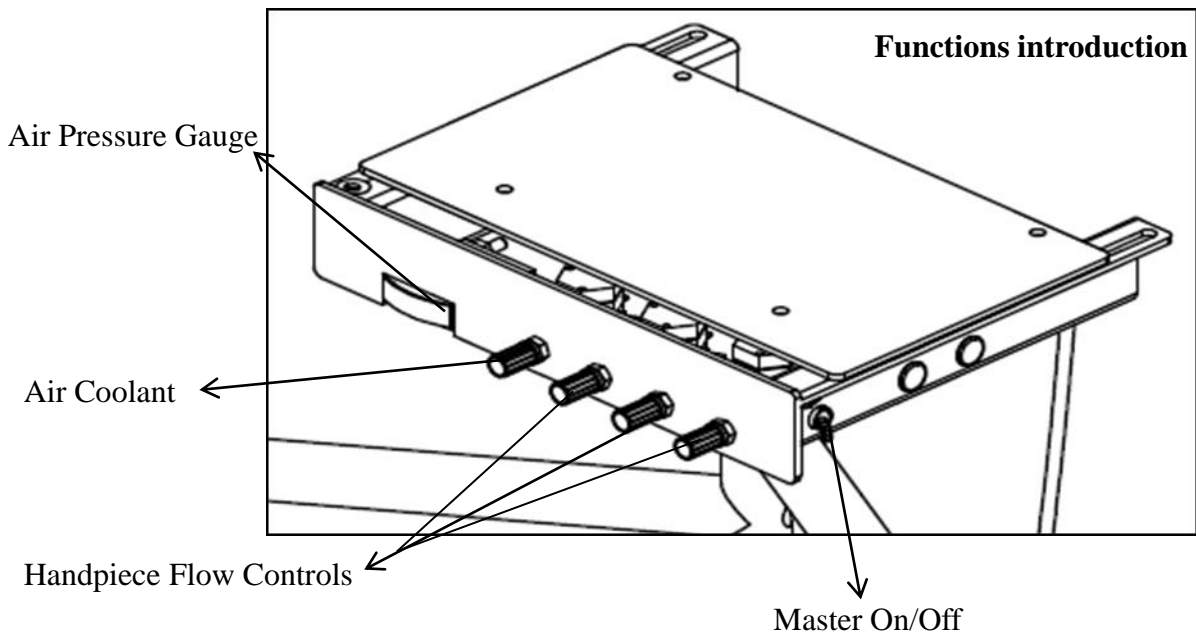
3. Connect the water/air strainer valve to the water/air supply.

## 4. Operations



The unit can swivel as the figure shown.





## 4.1 Functions introduction

**Master On/Off:** This toggle switch activates the air & water shut-off valves, which control the air and water supplies to the unit.

**Air Coolant :** This master control valve adjusts the amount of air coolant flow to all of the handpieces. Rotate in counterclockwise to increase flow, clockwise to decrease flow.

**Handpiece Flow Controls:** These individual control valves adjust the amount of water coolant supplied to its corresponding handpiece. Rotate the control valve counterclockwise to increase water coolant, clockwise to decrease water coolant.



**CAUTION:** Only water bottles supplied by the manufacturer can be used .Do not use soft drink bottles which are thin walled and may rupture when under pressure.



**CAUTION:** Avoid operating the handpieces for extended periods longer than is required to check gauge pressure.Extended operation without load can damage the handpiece.Do not operate the handpiece without a burr in the chuck.

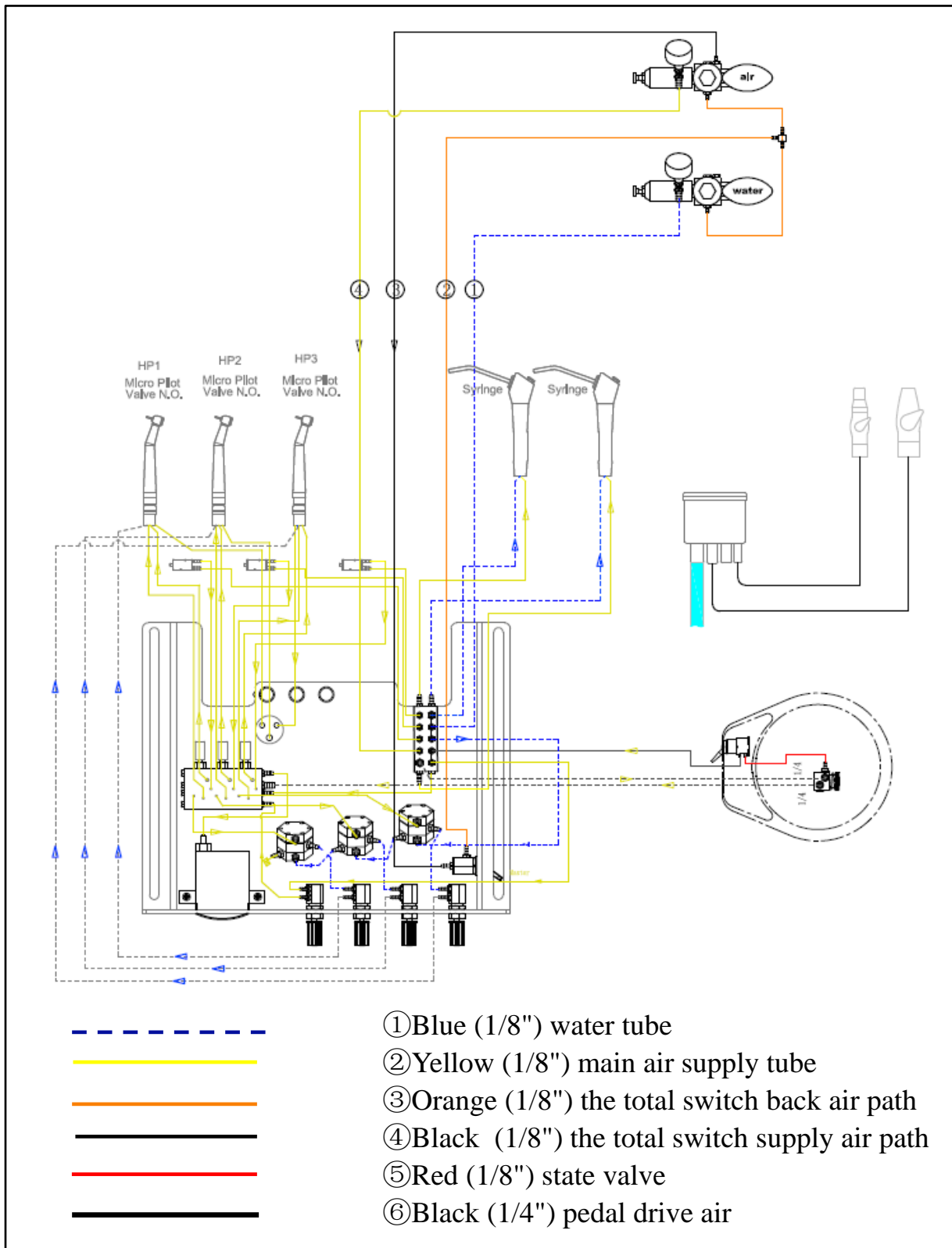
## 4.2 Foot control

Delivery system is equipped with wet-dry, variable speed, disc type foot controls. Foot pressure on any part of the disc controls the flow of air to the active handpiece.



**Water Coolant On/Off:** This toggle interrupts the flow of water coolant to the handpieces when performing a procedure that requires dry cutting.

## 5. Water diagrams



P/N:8023470

We reserve the right to make any alterations which may be due to technical improvements.



710422

## ADS Dental System Inc.

---

Add: 1590 S Milliken Ave., unit A, Ontario, CA 91761  
Tel: (626) 620 0456  
E-mail: [ads@adsequip.com](mailto:ads@adsequip.com)  
<http://www.adsequip.com/>