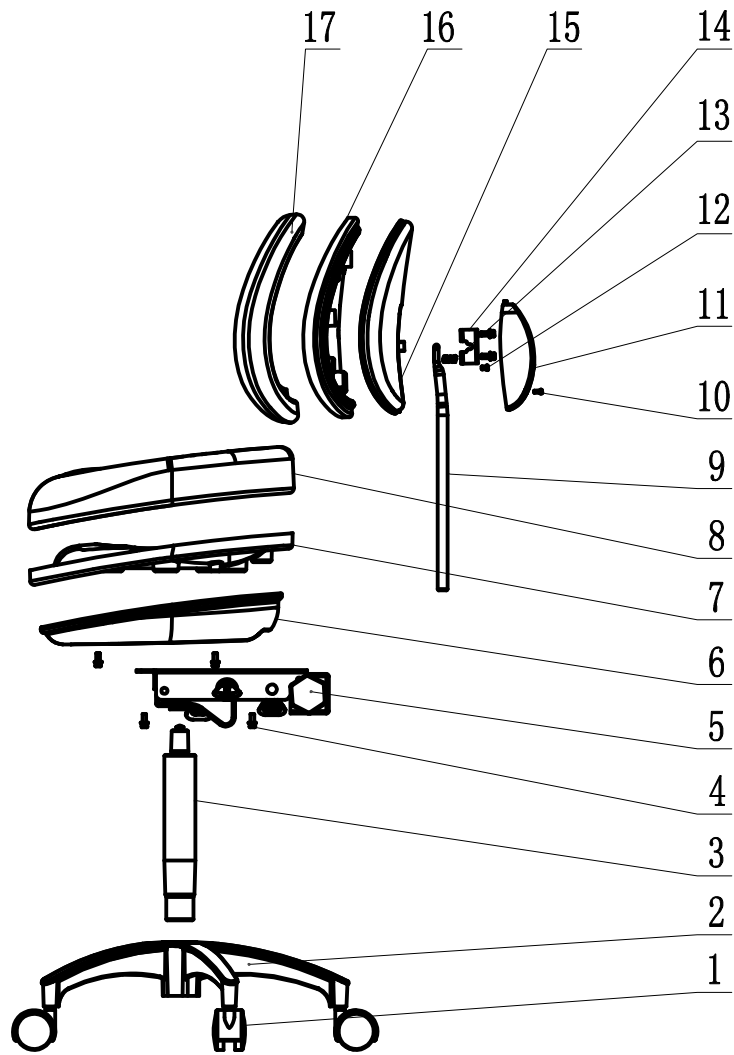


D3 Dental Stool Parts list

D3YS01-00A



No.	Part number	Name	Number	Remark
1	8024136A	noiseless caster-50	5	
2	8014035A	aluminum alloy five-star feet (R270)	1	
3	8023500A	doctor's stool gas rod (D160C-60)	1	
4	8016660A	M6*20 stainless steel screw	12	
5	8014029A	doctor's stool chassis II (JW-T002)	1	
6	8013540C	Ajax doctor's stool cushion cover	1	
7	8013531A	Ajax doctor's stool cushion inside cover	1	
8		Ajax doctor's stool cushion	1	
9	8014032D	doctor's stool back rod	1	
10	8001678A	M4*8 stainless steel screw	2	
11	8013543B	Ajax doctor's stool backrest decoration cover	1	
12	8001696A	M5*10 stainless steel screw	2	
13	8014158A	Ajax doctor's stool backrest pressure spring	1	
14	8014143A	Ajax doctor's stool back rod fixed rod	1	
15	8013537B	Ajax doctor's stool backrest cover	1	
16	8013528A	Ajax doctor's stool backrest inside cover	1	
17		Ajax doctor's stool backrest	1	