

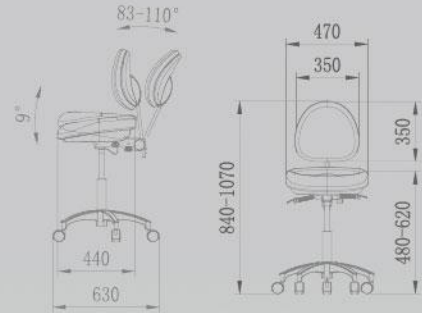
Dental Stools



D3 Doctor stool

Part number: A080103

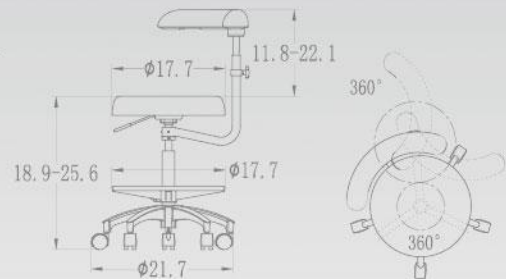
Chrome plated pneumatic cylinder
 Height adjustment,
 Backrest forward backward adjustment,
 Seat surface adjustment,
 Contoured seat & back,
 Fiber leather upholstery
 Cast aluminum star,
 Quiet twin wheel casters,
 1 year warranty



N4 Assistant stool

Part number: A080224

Round seat,
 Fiber leather upholstery,
 Chrome plated pneumatic cylinder
 Adjustable chrome foot ring
 Cast aluminum star
 Ratcheting body support,
 1 year warranty



Color sample
 (Fiber leather)



Technical support: 800 488 9708

Add: 1590 S Milliken Ave., unit A, Ontario, CA 91761

Tel: (626) 620 0456

www.adsdental.com www.adsequip.com

sales@adsequip.com



ADS Dental System



AJ12 EL Orthodontic



