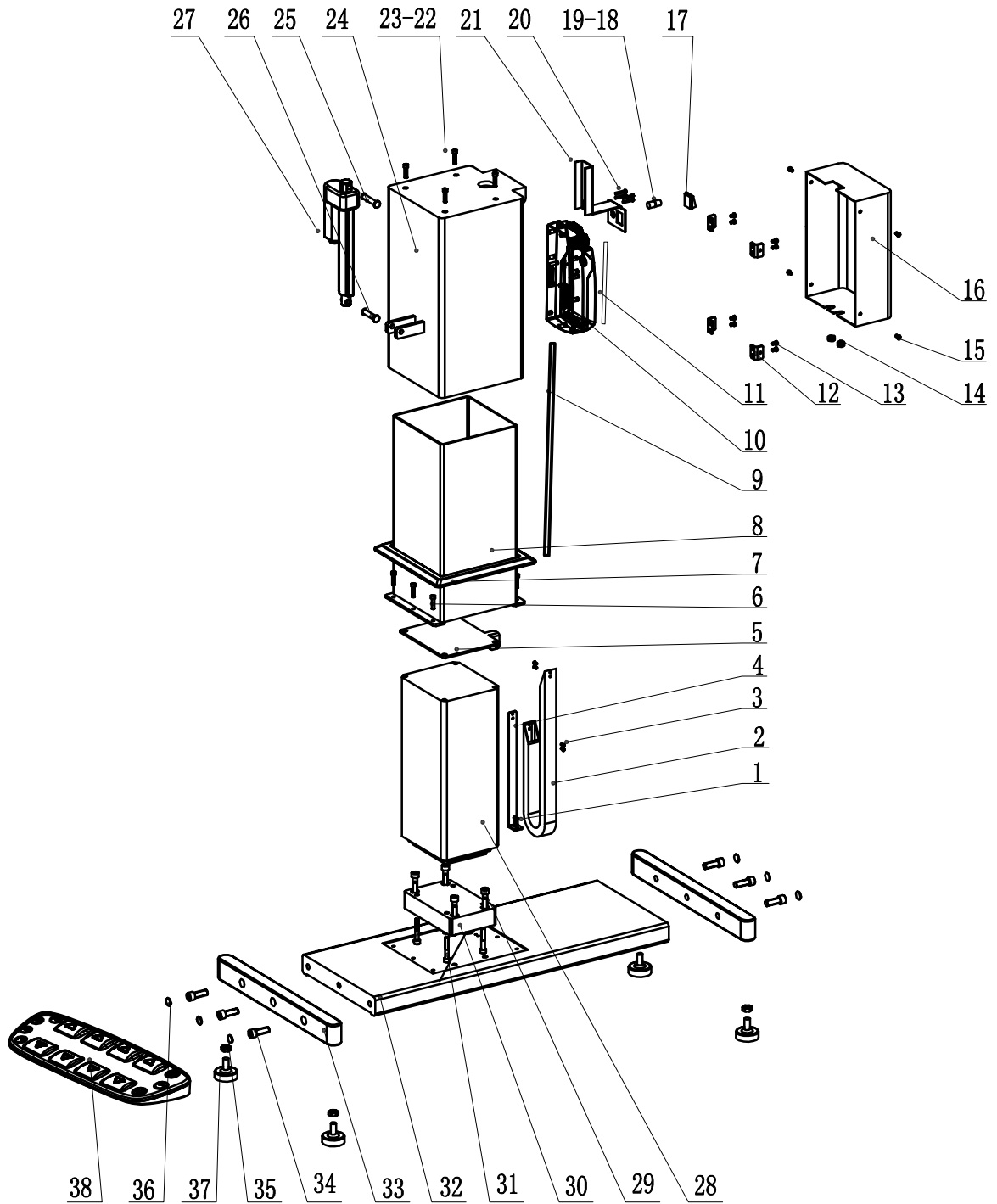


AJ11 Sugical Chair Parts list

AJ11YJ-00A



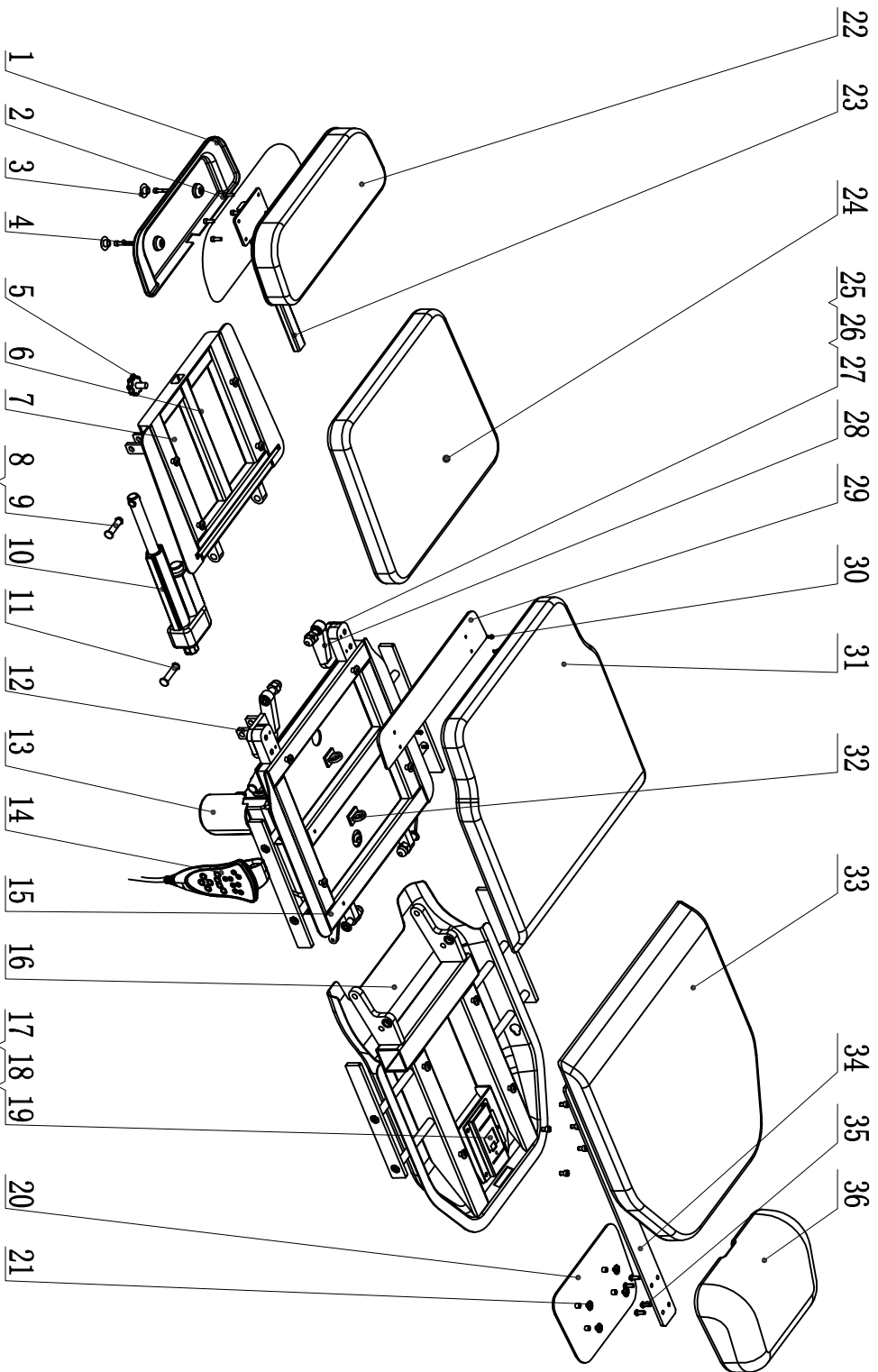
AJ11 Sugical Chair Parts list

AJ11YJ-00A

No.	Part number	Name	Quantity	Remark
1	8022174A	M4*12 stainless steel screw	2	
2	7008620	15*15 tow chain	1	
3	8001678A	M4*8 stainless steel screw	8	
4	7008485	CF-8 tow chain fixed block	1	
5	7008488	CF-8 tow chain fixed board	1	
6	8024247A	M6*25 stainless steel screw	6	
7	7008599	CF-8 stand pillar decoration cover	1	
8	7008359	CF-8 down seal cover	1	
9	7008995A	CF-8 power wire back end	1	
10	7008452	TC21 control box (with memory)	1	
11	7008992A	CF-8 power wire forepart	1	
12	7008392	CF-8 control box cover installation block	4	
13	8015988A	M5*8 stainless steel screw	12	
14	7008734	protection wire sleeve 6P-4	2	
15	7008389	CF-8 control box cover	1	
16	8001375A	power supply	1	
17	8015019A	fuse 6GFU-F6A250V	1	
18	8015025A	fuse seat R3-53	1	
19	8001687A	M4*25 stainless steel screw	4	
20	7008731	CF-8 switch installaton frame	1	
21	8014905A	M8*35 stainless steel screw	4	
22	8001594A	φ8 flat pad	4	
23	7008365	CF-8 support frame	1	
24	7008674	10*55 motor pin	1	
25	7008671	10*50 motor pin	2	
26	7008446	TA16-S150-270 slant push rod	1	
27	7008440	TL3-S400-400 up-down pillar	1	
28	8017830A	M10*45 stainless steel screw	4	
29	7008362	CF-8 stand pillar pad block	1	
30	8020509A	M8*50 stainless steel screw	4	
31	7008347	CF-8 base frame	1	
32	7008344	CF-8 pedestal beam	2	
33	8023020A	M12*35 stainless steel screw	6	
34	8001630A	M12 stainless steel nut	4	
35	7008467	M12 screw decoration cover	6	
36	7008617	M12 anchor bolt	4	
37	7008458	TFS7 foot control	1	

AJ11 Surgical Chair Parts list

AJ11YJ-01A



AJ11 Sugical Chair Parts list

AJ11YJ-01A

No.	Part number	Name	Quantity	Remark
1	7008596	CF-8 feet support decoration cover	1	
2	8020173A	M5*16 stainless steel screw	4	
3	8000121A	backrest cover decoration shell	2	
4	8020554A	M5*30 stainless steel screw	2	
5	7008461	M10 screw	1	
6	7008374	CF-8 feet support frame	1	
7	8018250A	16 backrest fixed shaft	12	
8	7008668	10*45 motor pin	2	
9	7008947	φ10 snap ring	8	
10	7008443	TA16-S100-220 feet support push rod	1	
11	7008671	10*50 motor pin	2	
12	7008380	CF-8 feet support left connecting seat	1	
13	7008449	TA7-S100-275 backrest push rod	1	
14	7008455	TMH9 hand control	1	
15	7008368	CF-8 middle pad frame	1	
16	7008476	CF-8 pillow connecting board	1	
17	8017167B	pillow frame plastic sheet	1	
18	8012031A	M6*10 stainless steel screw	5	
19	8021850A	16 pillow frame bracket II	1	
20	7008479	CF-8 pillow cover board	1	
21	8017173C	1015 backrest fixed shaft	4	
22	7008722	CF-8 feet support cushion	1	
23	7008386	CF-8 feet support connecting rod	1	
24	7008719	CF-8 feet support cushion	1	
25	8020548A	M12 screw with cap	6	
26	7008470	GFM-1214-05 bearing	12	
27	7008377	CF-8 connecting pin	6	
28	7008383	CF-8 feet support right connecting seat	1	
29	7008371	CF-8 middle pad board	1	
30	8001678A	M4*8 stainless steel screw	8	
31	7008716	CF-8 middle cushion	1	
32	7008941	Wire fixer (CL-2 white)	2	
33	7008713	CF-8 backrest cushion	1	
34	7008476	CF-8 pillow connecting board	1	
35	8013636A	M6*16 stainless steel screw	4	
36	7008710	CF-8 pillow	1	