



ADS Dental System

# AJ11 Surgical Chair

Part number: A0901031



*Uncompromising quality  
at an affordable price*



ADS Dental System

# ■ AJ11 Surgical Chair

## • Uncompromising quality and support

- Surgical Chair provides dentists with uncompromising quality and perfect support during complicated treatments. Benefits from an optimum ergonomic posture at all times as well as a comfortable lying position for patients, which seems that improved working spaces increased their enjoyment of dentistry.



## • Perfect surgical comfort

- You can adjust the patient position intraoperatively, from an upper to a lower jaw position, with maximum patient comfort. This way, you can position the operating table individually and set the correct anatomical posture quickly, which is especially handy for repetitive surgeries. With well-organized processes before, during and after surgery, you save time and money.



## • Suitable for vulnerable groups

- Providing one of the operating tables with the lowest possible seating positions on the market, Surgical Chair is easy for elderly patients, children and patients with restrictions of movement to get on the table. The dual telescopic column enables the surgeon to operate at optimal stability while standing or sitting.

## • Premium quality at an affordable price

- The Surgical Chair is the first choice if you do not need longitudinal axis tilting. Wisely select high-quality materials, ADS provides an economical solution that is premium quality at an affordable price.

## • Multiple colors to be selected

- Customized color in your dental chairs to take a cue from the colors you personally like. We collaborate with our dealers to create innovative and customized color ranges in product line are supported by key color messaging. Now you can select the one between Black or Blue.

## • Maximum leg room

- With the Surgical Chair, you benefit from maximum leg room as well. Assume a relaxed posture for a working experience that is easy on the back even during complicated or lengthy surgeries.

**Benefit from quick and identical processes and position your patients as desired at the push of a button, using either the hand-held remote control or foot control.**

## • Hand Control

- Intuitive Operation
- Easy handling



## • Foot Control

- Hands-free during work
- Contamination-free work
- Carrying handle to position the foot switch with the foot

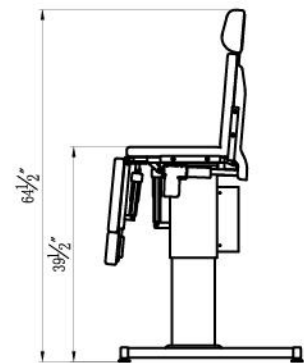
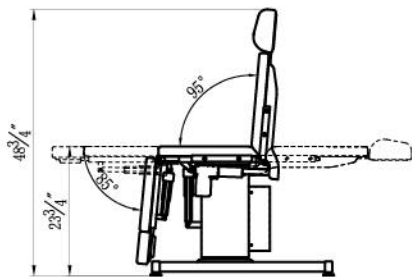
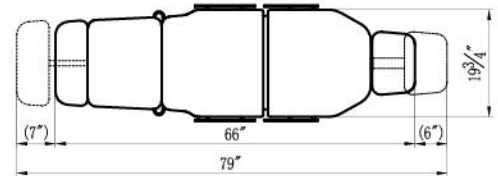
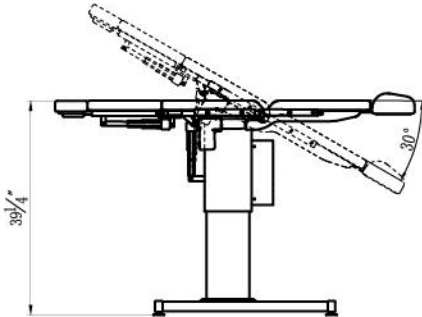




ADS Dental System

## Dimensions

Unit:inch



## Specifications

Weight	276lbs(125Kg)
Max patient load	298lbs(135Kg)
Electrical requirements	AC110~240V 50/60Hz
Environmental requirements	+10°C ~ +40°C
Humidity	30% ~ 75%
Atmospherical pressure	10.2psi~15.4psi (70kPa ~ 106kPa)

[www.adsdental.com](http://www.adsdental.com) [www.adsequip.com](http://www.adsequip.com)

Tel:(626)620 0456 [sales@adsequip.com](mailto:sales@adsequip.com)

Technical support:800 488 9708 Add:1590 S Milliken Ave., unit A, Ontario, CA 91761

@ADS Dental

