

1	Level arm	8	M3*10 Cross recessed cunTERSUNK screw
2	Tube fixing rod	9	Fixing tray
3	Handpiece tubing	10	Tray holderM6*30
4	M6*20 hexagon socket screw assembly	11	hexagon socket screw assembly
5	Supporting bracket	12	Delivery head
6	Instrument tray	13	Touchpad control panel
7	PVC mat	14	Handle

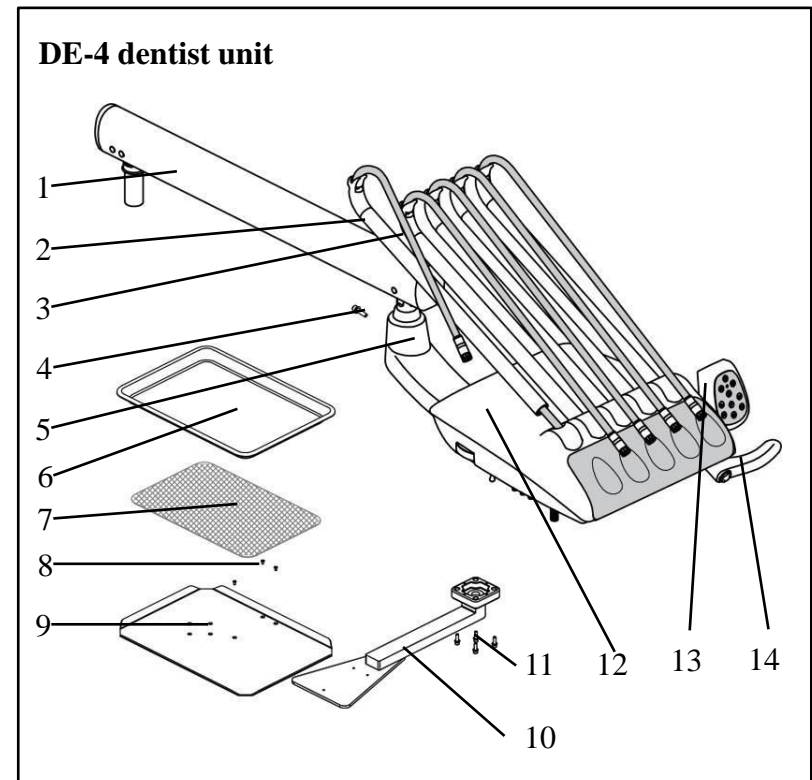
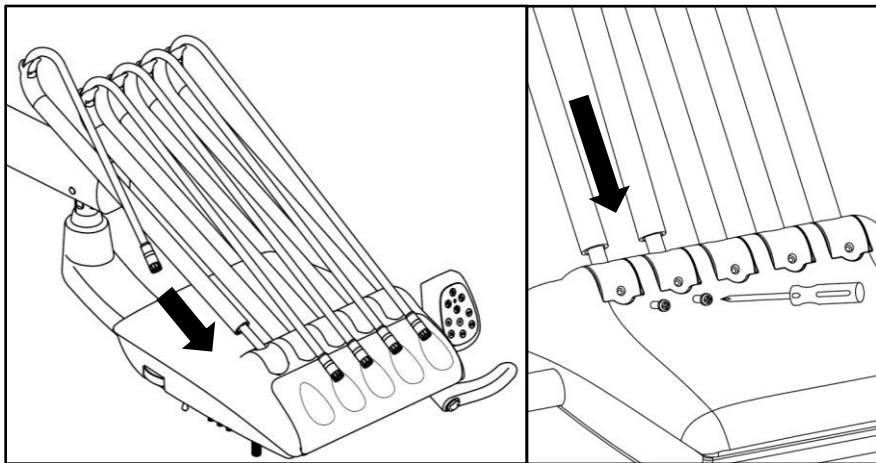


<http://www.adsequip.com/>

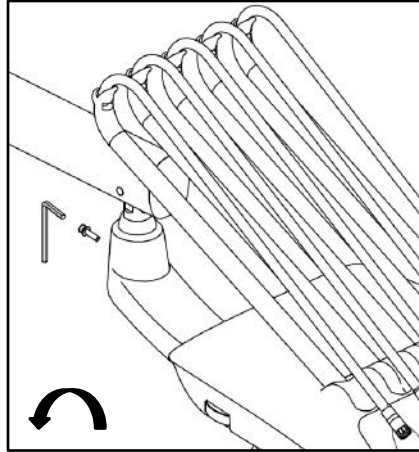
DE-4 Dentist Unit Installation

Installation steps:

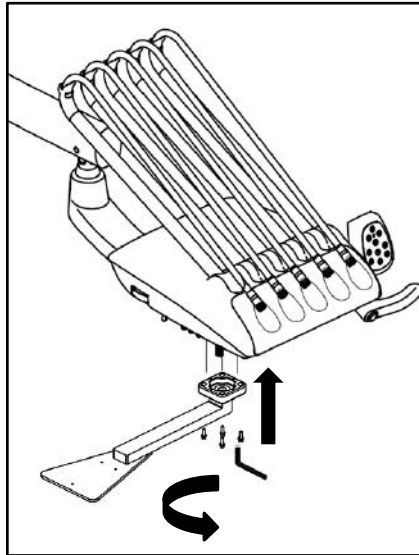
1. Insert the rods into right positions on delivery head, lock the rods with M4*16 cross recessed pan head screws, then put the handpiece tubes well.



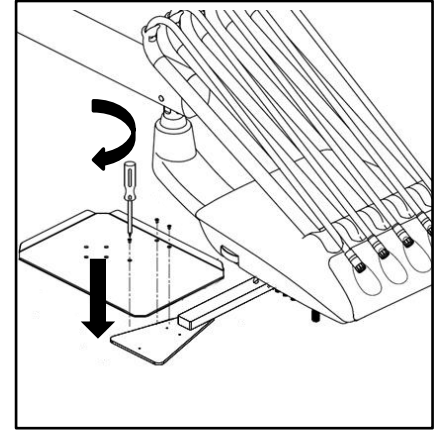
2. Lock the supporting bracket by one M6*20 screw assembly, to avoid 360° swivel of the delivery head.



3. Install the tray holder to the bottom of the delivery head and fix it with four M6*30 screw assemblies.



4. Mount fixing tray to the tray holder and lock by three M3*10 countersunk screws.



5. Put a PVC mat on the fixing tray, then put the stainless steel instrument tray on the mat.

