



<http://www.adsequip.com/>

Installation Manual/user's manual for mobile cart

Content

1	Compositions.....	1
2	Install the mobile cart.....	2
3	Install floor box.....	4
4	Adjustment.....	5
4.1	Handpiece adjustment	5
4.2	Three-way syringe adjustment.....	7
4.3	Height adjustment.....	8
5	Cleaning and disinfection.....	8
5.1	Clean dirty collector.....	8
5.2	Handpiece Tubing Clean and Care.....	9
5.3	Clean the Strong and Weak Suction.....	9

1 Compositions

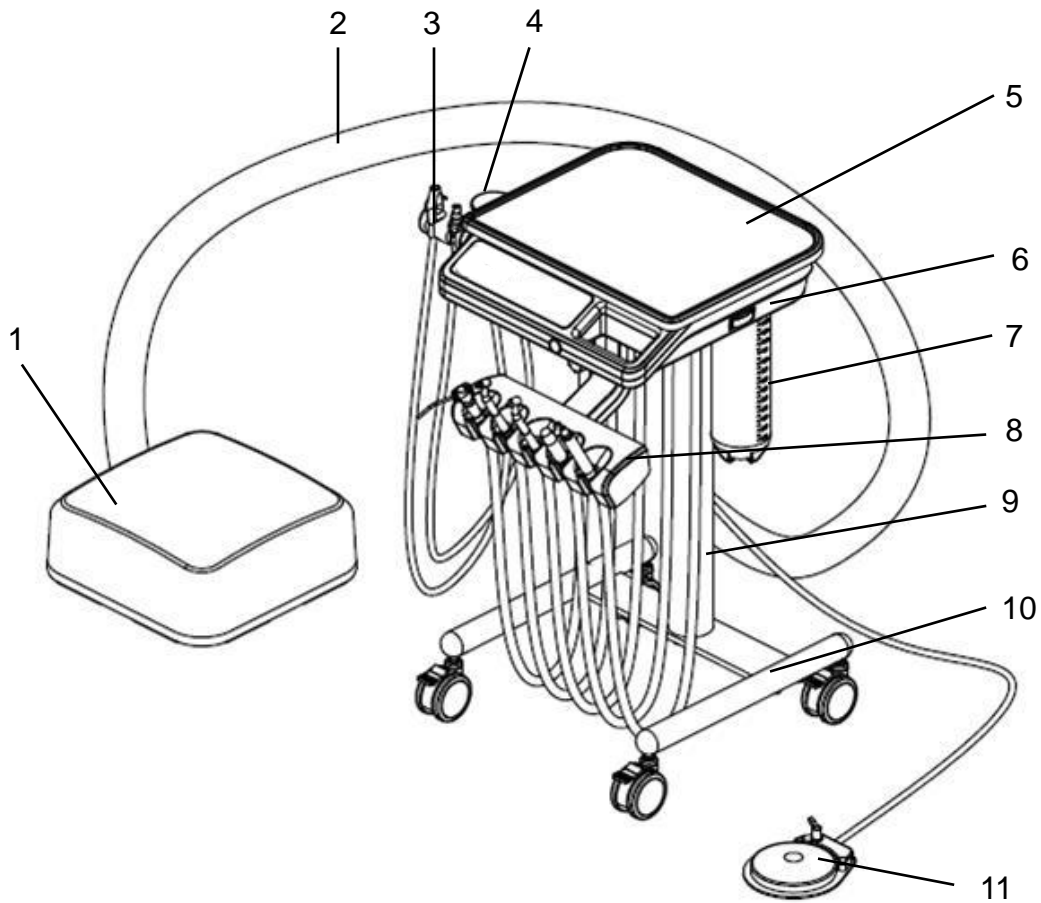
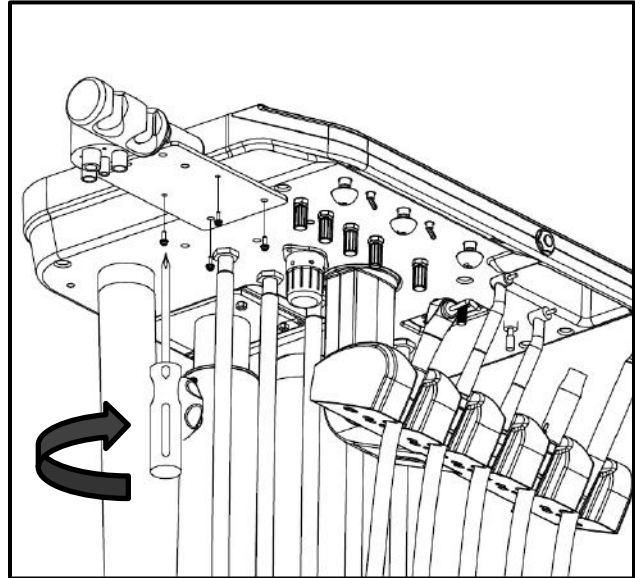


Table 1

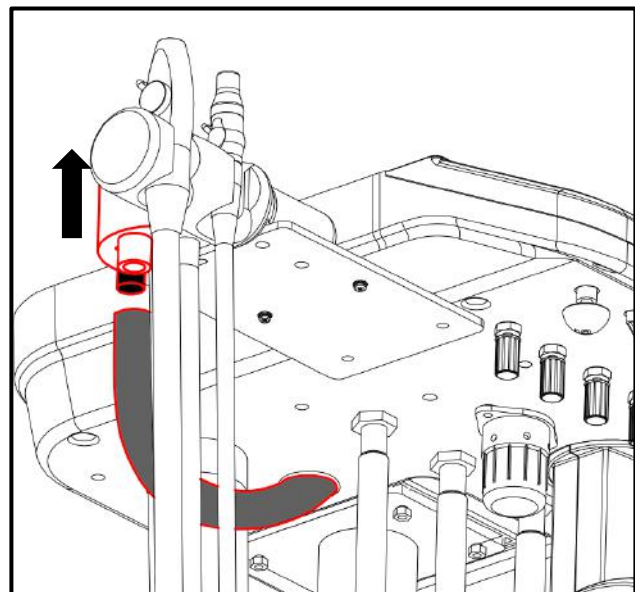
Item	name	Item	name
1	Junction box	7	water bottle
2	Corrugated pipe	8	Rack
3	Stong/weak suction holder	9	support pole
4	Filter cup	10	Foot stool
5	Dentist upper cover	11	Foot control
6	Dentist table		

2 Install the mobile cart

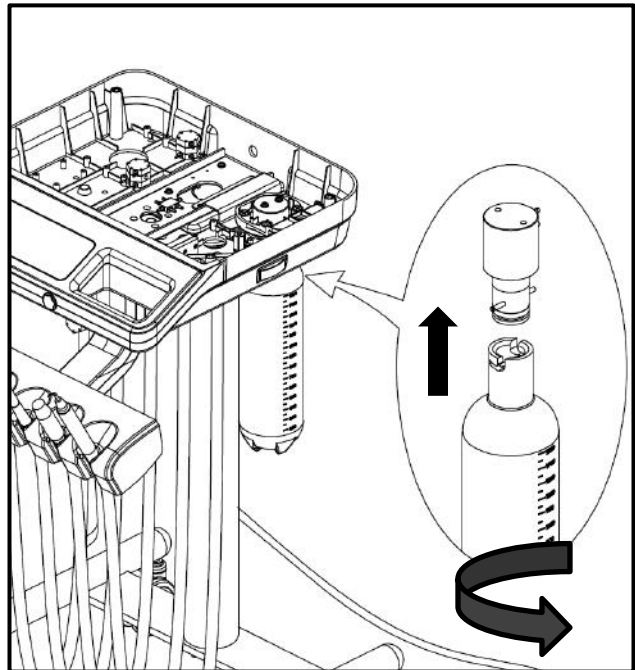
- 1、 Install the holding bracket of suction to the delivery head with 4 pcs Philips head stainless screw of M5*10. And put the suction handle to the hanger.



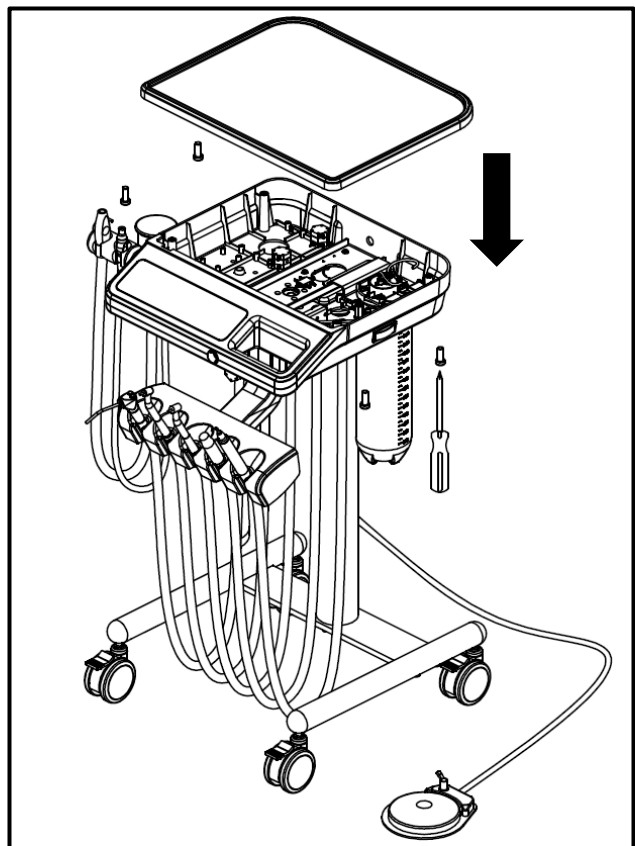
- 2、 Connect the drain-tube to the filter cup;



3. Put the water unit onto the dentist table;



4. Fixed the dentist upper cover with four M4*8 cross head stainless steel screws;



3 Install floor box

Figure32 Connection principle of ground box tube.

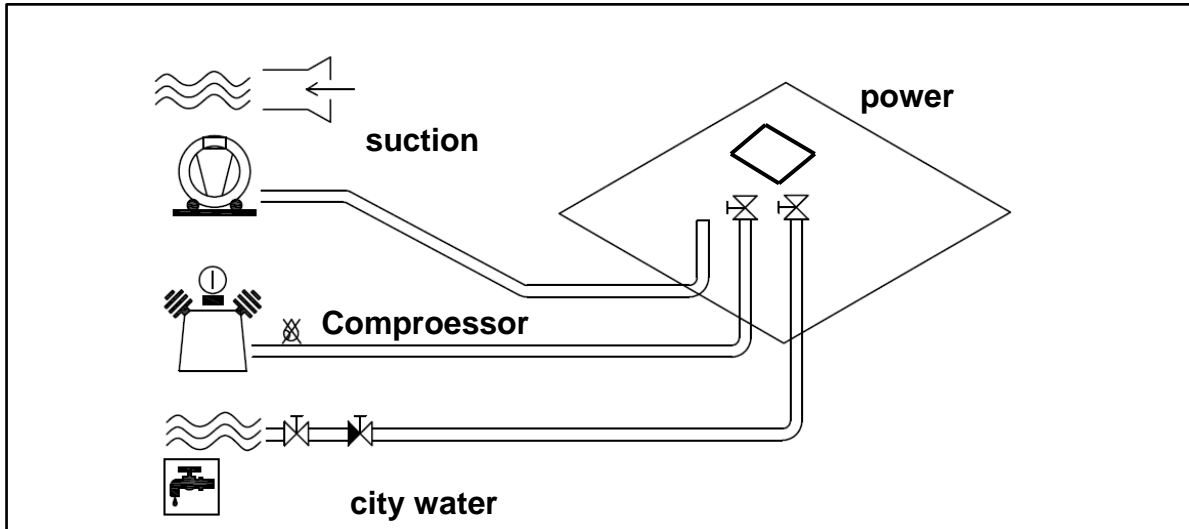
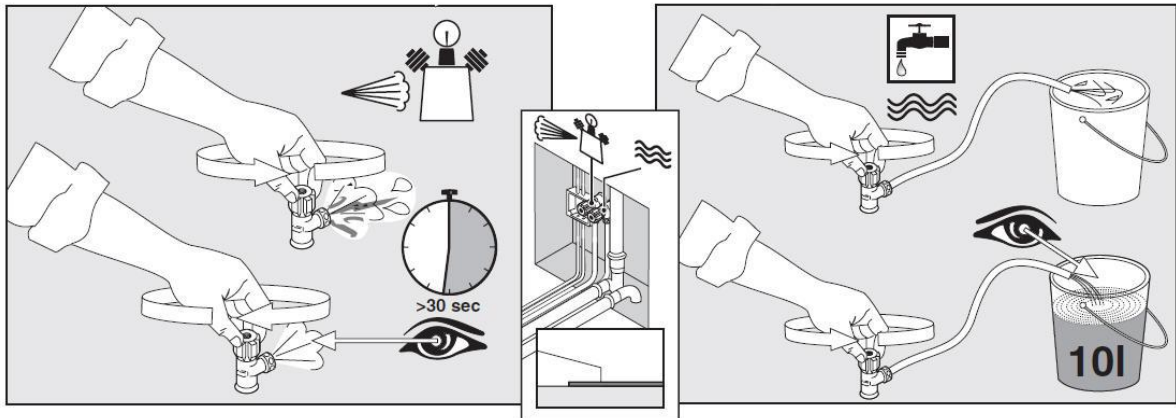


Figure33 clean tubes

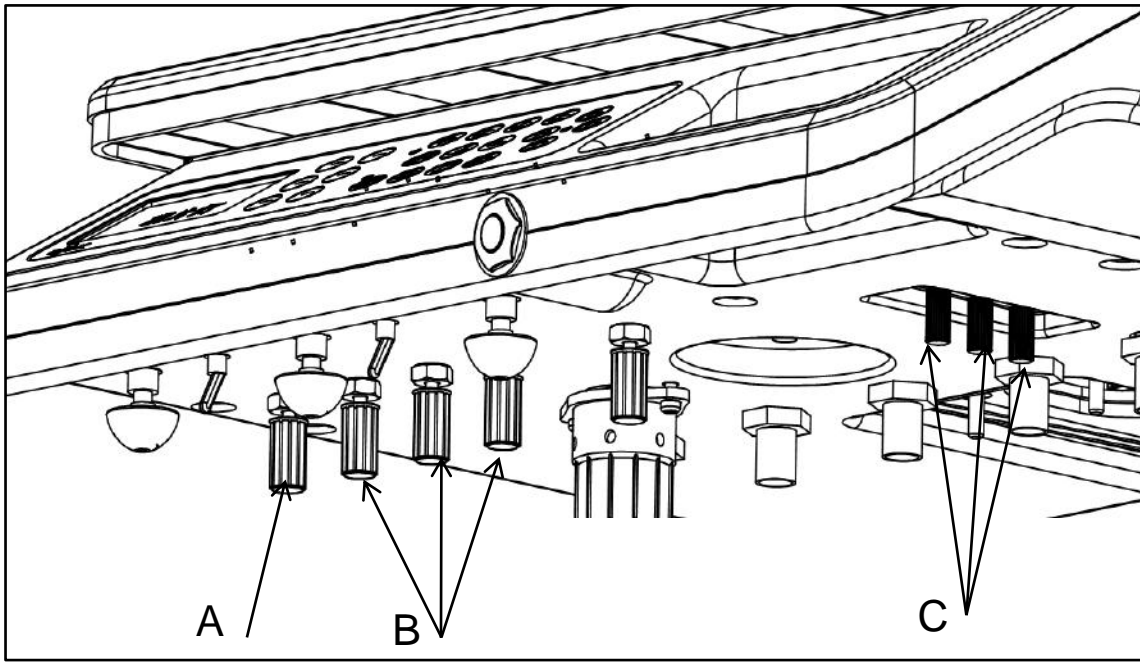


The tubes & wires are in the tubing zone or inside the outer floor box, their places are depended on your chair configurations.

- 1、 Open the valves to exhaust water and air, clean the tubes before connecting.
- 2、 Open the cover of the floor box, connect the air-in, water-in and water-out .
- 3、 Take out the Power box of dental light ,connect the power cord to the power box, and plug into the socket.
- 4、 Close the cover after making sure they are well-performed.

4 Adjustment

4.1 handpiece adjustment



- A、Atmozation adjustment B、water adjustment
C、Handpiece working air adjustment

Water Coolant Flow

The system includes Water Coolant flow control for each handpiece. Use the adjustment key to complete the adjustments :

1. Lift the handpiece from the holder or pull the whip forward.
2. Locate the coolant water flow controls.
3. Turn the Water Coolant on (flip the wet/dry toggle toward right side on the foot control).
4. Press the foot control to activate the handpiece.
5. Adjust the Water Coolant flow by turning the adjustment key clockwise to decrease flow and counterclockwise to increase flow.

Air Coolant Flow

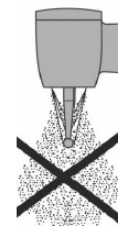
The air coolant flow control adjusts the air coolant flow to all handpieces.

Use the adjustment key to complete the adjustment. To adjust the air coolant:

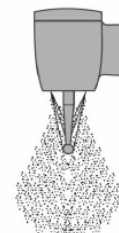
1. Lift the handpiece from the holder.
2. Locate the air coolant control.
3. Press the foot control to activate the handpiece.
4. Adjust the air coolant flow by turning the adjustment key clockwise to decrease flow and counterclockwise to increase flow.

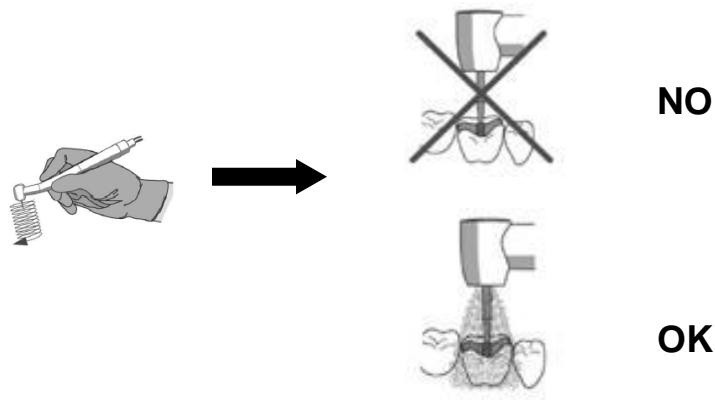
Handpiece Adjustment

turn off mist spr



open mist spr



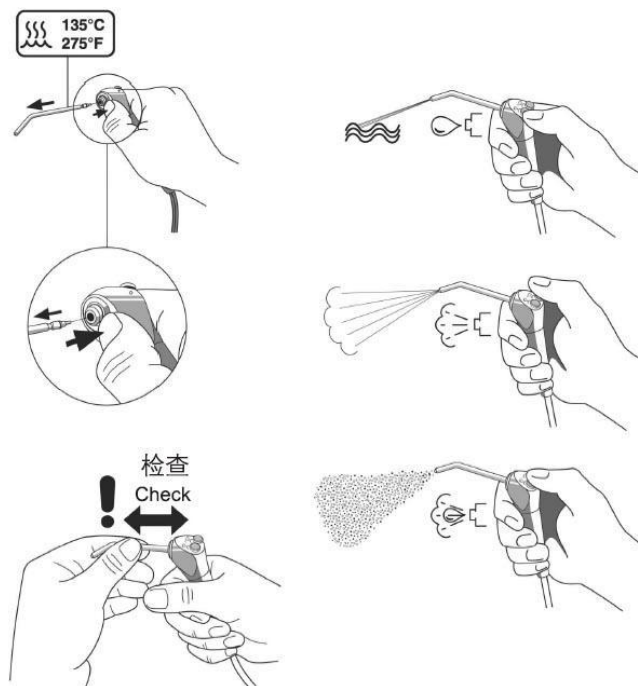


Note :

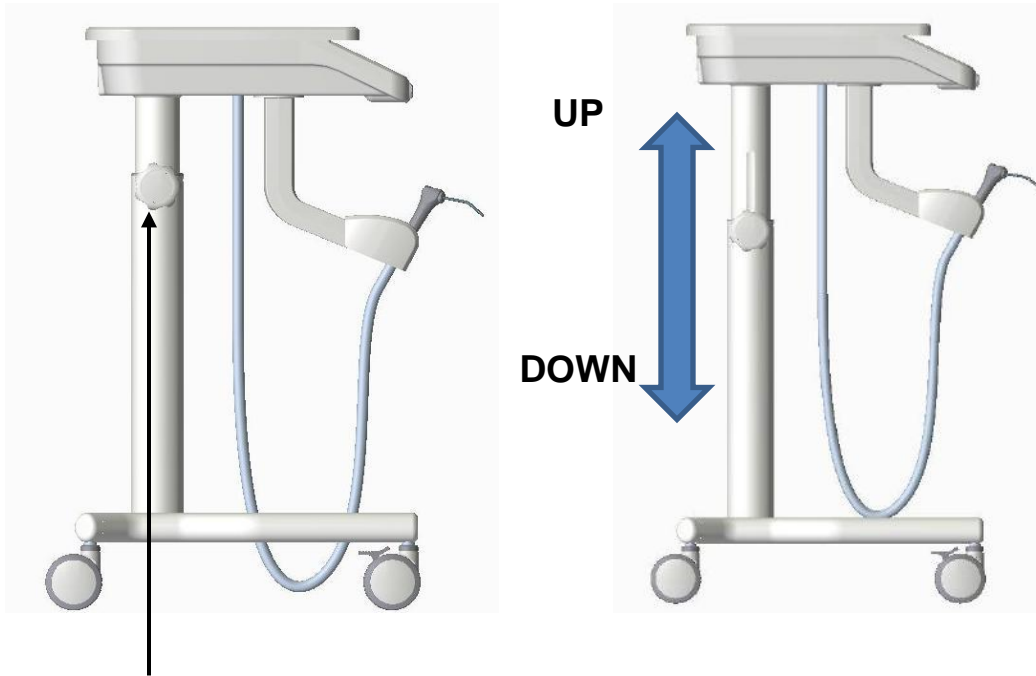
Adjust the drive air pressure to meet the handpiece manufacturer's drive air pressure specification.

Refer to your handpiece documentation for the drive air pressure specification.

4.2 3-ways syringe Adjustment



4.3 Height adjustment



Loose or tight the button to adjust the height of dentist table;

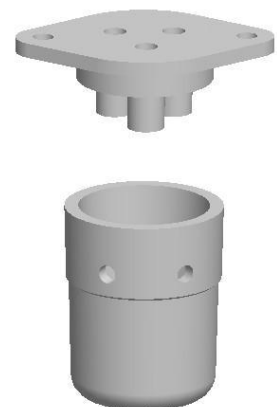
5 Cleaning and disinfection

5.1 Clean dirty collector

keep weekly maintenance, Increase maintenance times with frequent use;

ways for maintenance as below:

- 1、 Unscrew the dirty collector counterclockwise and remove it;
- 2、 Discard used cotton。
- 3、 Put some cotton into dirty collector;
- 4、 Tighten the dirty collector clockwise。



5.2 Handpiece Tubing Clean and Care

- **Flush Tubing's Independently or together**
- Use the handpiece tubing flush system to move more water through the tubing's in less time than using the foot control. After each patient:
 1. Disconnect the handpieces before flushing the tubings.
 2. Gather handpiece tubings that use Water Coolant and hold them over a sink, cuspidor bowl, or basin.
 3. Hold the tubings so that the water is directed away from you and into the receptacle (see the Figure 38.)
 4. It last for 20~30s



Notice Discharge all tubing air and water lines for 20–30 seconds between each patient.

5.3 Clean the Strong and Weak Suction

Suction cleaning suggestion:

- Suck 2 cups of water in every two hours during working time;
- Suck 1 liter water after daily working.

We reserve the right to make any alterations which may be due to technical improvements.



710422

ADS Dental System Inc.

Add: 1590 S Milliken Ave., unit A, Ontario, CA 91761

Tel: (626) 620 0456

E-mail: ads@adsequip.com

<http://www.adsequip.com/>