

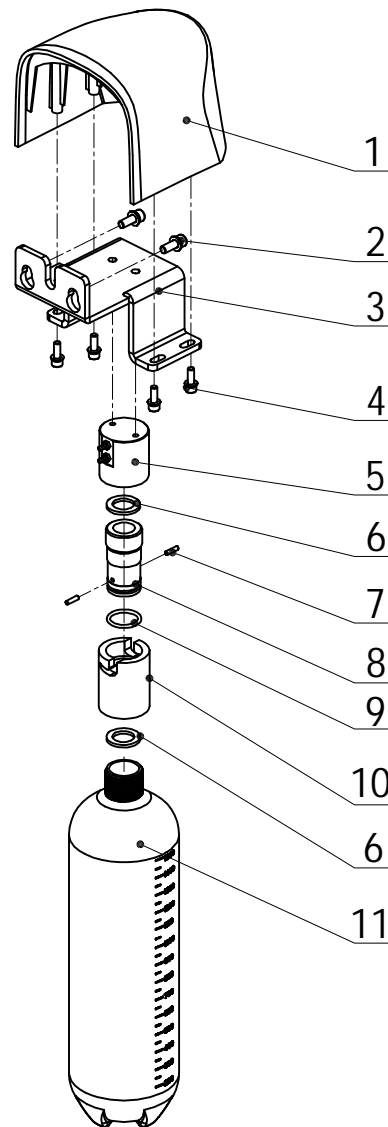
Beyond 300 Water Unit Assembly

300XJ01-01A

No.	Material No.	Name	Quantity	Remark
1	8011584A	1/4 Inch Hose Connector	2	
2	8018127A	Adjusting Knob	1	
3	8024754A	Selector Valve (ϕ 2.4, ϕ 4.7)	1	
4	8025750A	M8*25Stainless Steel Socket Head Set Screw	8	
5	8006871A	M6*25 Socket Round Head Screw	4	
6	8018880F	WU-1 Aluminium Base	1	
7	8021973A	Fixed Base	1	
8	8021862A	M6*4 Stainless Steel Socket Head Set Screw	1	
9	8024772A	M6*10 Stainless Steel Socket Head Set Screw	1	
10	8001693A	M5*8 Stainless Steel Pan Head Philips Screw	1	
11	8019051B	WU-1 Pole	1	
12	8018154A	Adjusting Knob of Three Way Syringe	1	
13	8018238A	M4*16 Stainless Steel Pan Head Philips SEM Screw	4	
14	8021118A	Fixed Plate of Beyond Water Unit Parts	1	
15	8017425B	M8*25 Stainless Steel Socket Head 304 SEM Screw	3	
16	8019912A	6#-32*3/8 Stainless Steel Round Head Screw	2	
17	8018076A	M5*12 Stainless Steel Hex Philips SEM Screw	2	
18	8021115B	Adjusting Plate of Beyond Side Box Filter	1	
19	8017272A	Filter	1	
20	8018112A	Mini Pressure Regulating Valve	1	
21	8001678A	M4*8 Stainless Steel Pan Head Philips Screw	2	
22	8022933A	Fixed Holder of Pressure Gauge	1	
23	8012199B	ϕ 2.4 Copper Connector	1	
24	8005833A	M10*1 Stainless Steel Nut	1	
25	8023635B	Circular Manometer	1	
26	8018928A	HK3516 Pin Bearing	2	
27	8018916B	ϕ 51 Copper Bush	1	
28	8021103A	Left Gate of Beyond Box Shell	1	
29	8021100E	Beyond Box Shell	1	
30	8018958B	ϕ 55 Cover of Box Shell	2	
31	8021106A	Right Gate of Beyond Box Shell	1	

Beyond300 Water Bottle Assembly

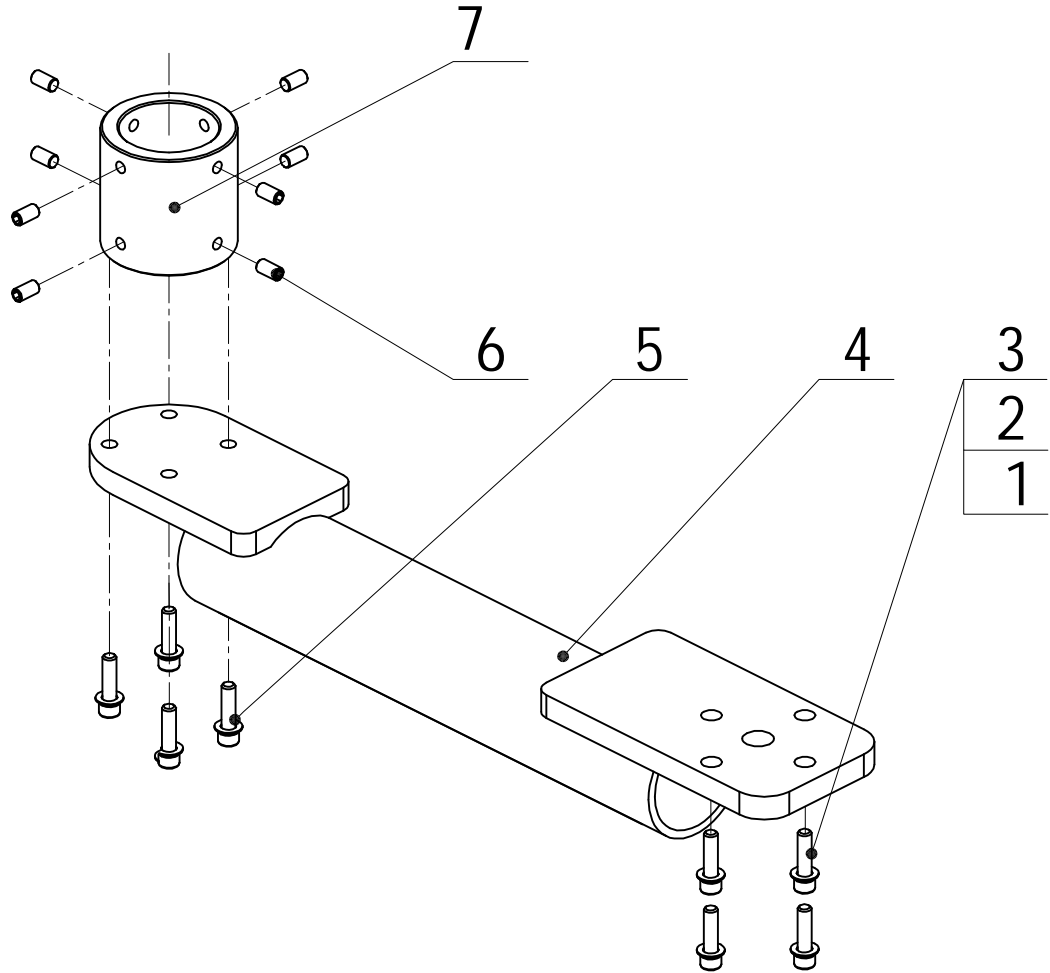
300XJ01-01A



No.	Material No.	Name	Quantity	Remark
1	8016405A	Ajax Water Bottle Cap	1	
2	8001738A	M6*16 Stainless Steel Socket Head Screw	2	
3	8021109A	Bottle Fixed Plate II	1	
4	8018076A	M5*12 Stainless Steel Hex Philips SEM Screw	4	
5	8008719E	Cap of 600ml Water Bottle	1	
6	8013687A	Rubber Mat (φ28*φ18*t2)	2	
7	8018931B	Fixed Axis of Rotatory Bottle	2	
8	8018904B	Connecting Shafts of Rotatory Bottle	1	
9	8020602A	φ20*φ2.4 O Ring	1	
10	8018907B	Rotatory Bottle Cap	1	
11	8026344A	WB-2 Water Bottle 1.5L	1	

Beyond300 Connecting Plate Breakdown

300XJ01-04A



No.	Material No.	Name	Quantity	Remark
1	8001783A	M10*40 Stainless Steel Socket Head Screw	4	
2	8001570A	φ10 Spring Washer	4	
3	8001597A	φ10 Washer	4	
4	8021112A	Arm of Beyond Side Box	1	
5	8001759A	M8*30 Stainless Steel Socket Head Screw	4	
6	8011443A	M8*10 Stainless Steel Socket Head Set Screw	8	
7	8017647A	OTP200 Fixed Base of Pole	1	