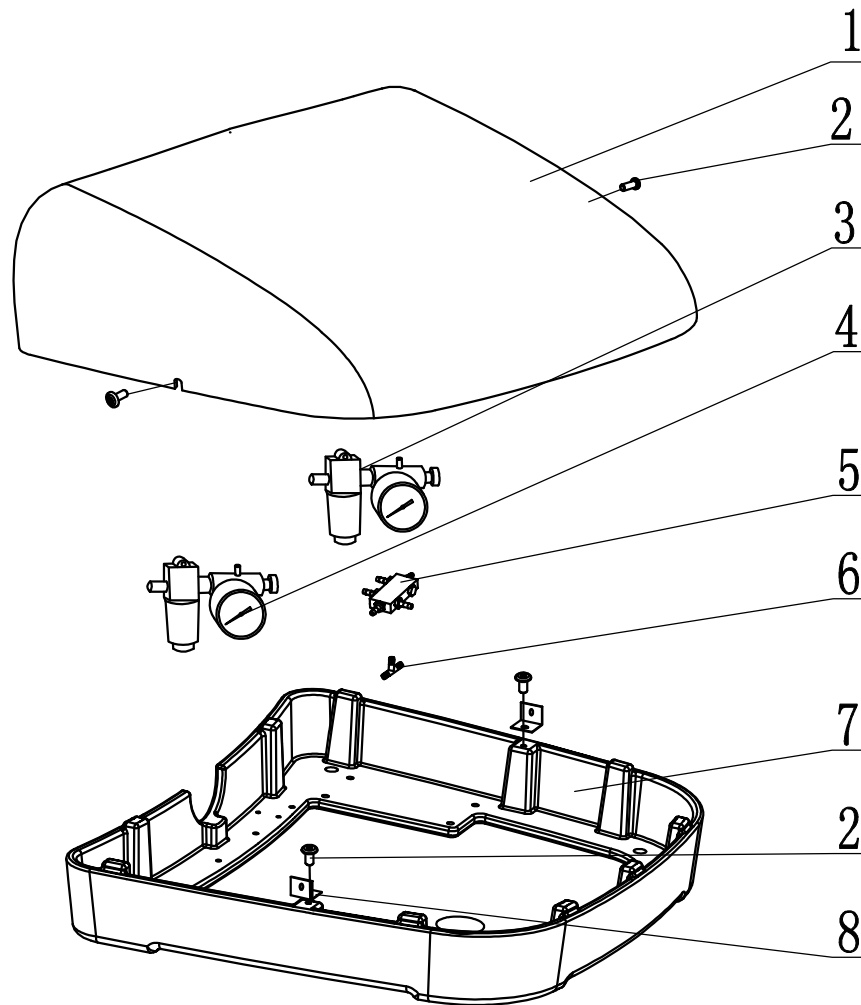


16 US Junction Box Breakdown

300DX01-00A



| No. | Material No. | Name | Quantity | Remark |
|-----|--------------|---|----------|--------|
| 1 | 8017680A | AJ16 Junction Box Cover II | 1 | |
| 2 | 8015112A | M4*8 Stainless Steel Truss Head Philips Screw | 4 | |
| 3 | 8018109A | Air Filter Pressure Reducing Valve | 1 | |
| 4 | 8018106A | Water Filter Pressure Reducing Valve | 1 | |
| 5 | 8001252A | Six-way Connector | 1 | |
| 6 | 8021664A | Three-way Connector (φ2.4) | 1 | |
| 7 | 8010840D | AJ16 Junction Box Base Plate | 1 | |
| 8 | 8012160A | AJ16 Fixed Holder of Front Shell | 2 | |