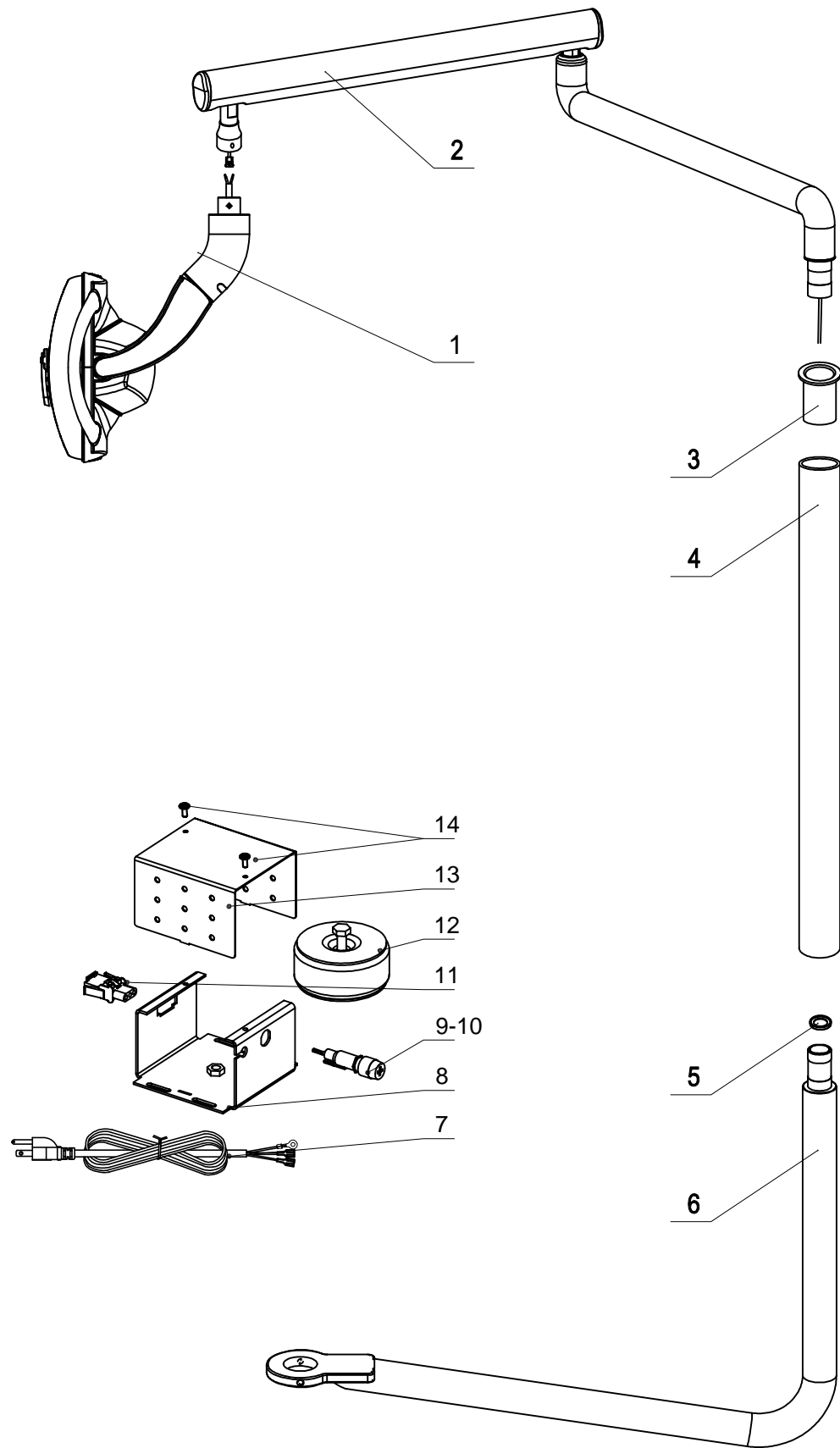


Swing mount (24") Amber LED Light Parts list

200KQD02-00A



Swing mount (24") Amber LED Light Parts list

200KQD02-00A

No.	Material No.	Name	Quantity	Remark
1	8020617C	Amber LED light	1	
2	8013558E	light arm	1	
3	8024115A	φ45.7/1-3/8 bushing	1	
4	8021925D	Intermediate post 600	1	
5	8024349A	2 inches front decoration ring	1	
6	8020215F	2 inches front light arm	1	
7	8020563A	30VA Transformer	1	
8	8020557A	Upper Shell of Power Box	1	
9	8016762A	M4*6 Stainless Steel Truss Head Philips Screw	2	
10	8021163A	M10*30 stainless steel screw	2	
11	8011827A	φ50 connection axle cover	2	
12	8011830A	AXK5070 surface bearing	4	
13	8011443A	M8*10 set screw	4	
14	8012745A	AJ16 front rotate arm damping shaft	4	