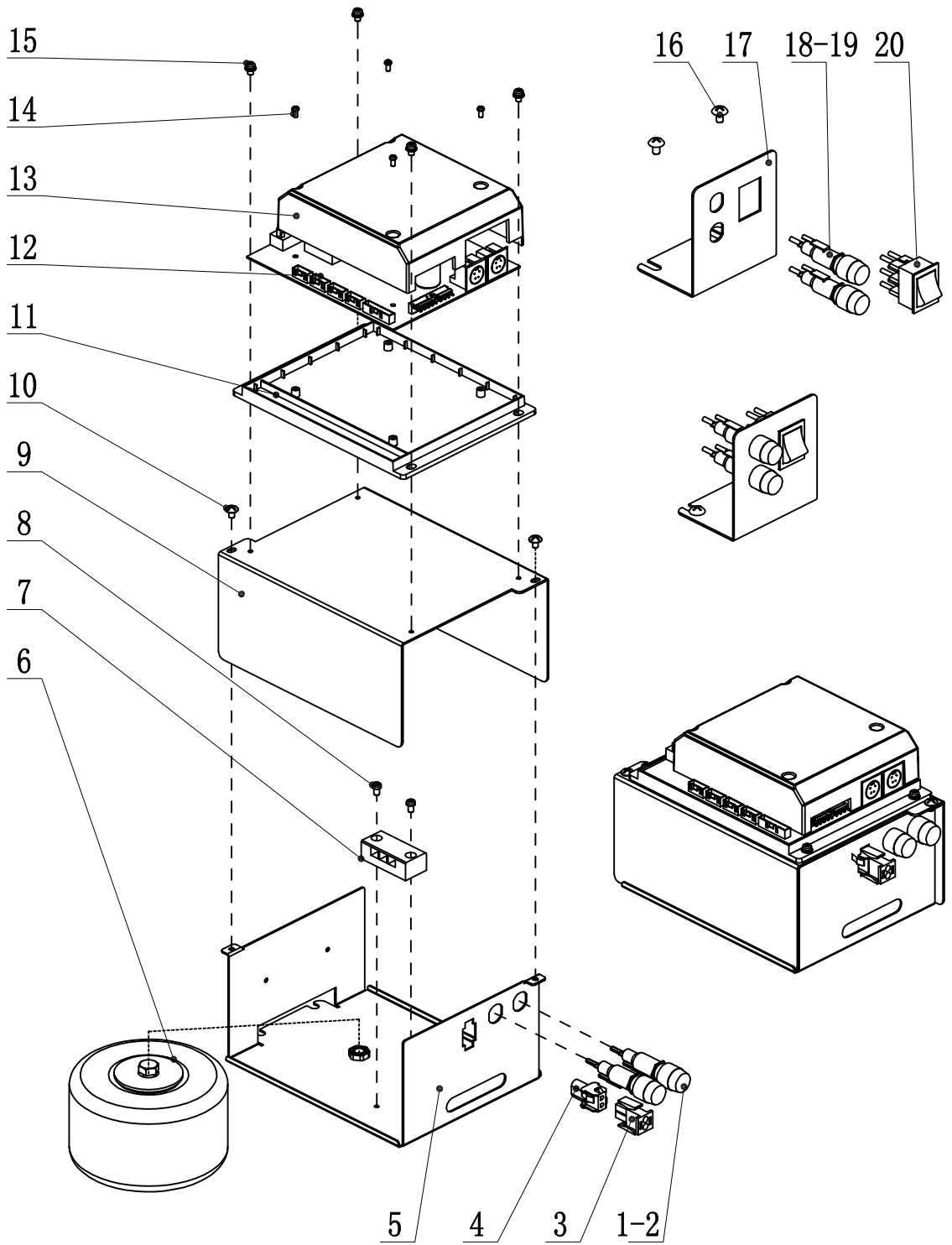


AJ19 Pediatric Dental Bench Parts list

19YJ01-00A

No.	Material No.	Name	Quantity	Remark
1	6007813	儿童椅架	1	
2	8020959A	M5*8 Stainless Steel Flat Head Screw	6	
3	8014323D	AJ16 Lower Cover II	1	
4	8014326B	AJ16 Back Cover III	1	
5	8017422A	M5*10 Stainless Steel Truss Head Philips Screw	4	
6	8024247A	M6*25 Stainless Steel Socket Head SEM Screw	6	
7	8018727A	CC headrest frame washer	2	
8	8018721A	CC headrest frame installation board	1	
9	8017167A	headrest frame plastic sheet	1	
10	8017905D	headrest frame II	1	
11		headrest PU	1	
12	8018724A	CC headrest frame splint	2	
13	8018244A	Aj16 headrest frame bracket	1	
14	8021265A	M5*16 Stainless Steel Pan Head Philips SEM Screw	4	
15		19 cushion PU	1	
16	8017377C	cushion bracket	1	
17	8019396A	19US Cushion Shell	1	
18	8017152A	55 Motor Pin	1	
19	8016168A	TA7-ED Lifting Motor(with Plastic Cover)	1	
20	8017155A	63 Motor Pin	1	
21	8014335A	Front Shell II for AJ16 Cushion	1	
22	8022864A	AJ16 front cover III	1	



1217US Power Box BreakkdownS

12DX01-00A

No.	Material No.	Name	Quantity	Remark
1	8015022A	Fuse 6GFU-F10A250V	2	
2	8015025A	Fuseholder R3-53A	2	
3	8015076A	2 Ways Connectror(Green) B12630209	1	
4	8015079A	2 ways connectror(Green) B11630209	1	
5	8023611A	US Lower Shell II of Power Box	1	
6	8017902A	280w Transformer II	1	
7	8023626A	3-Ways Connector	1	
8	8001675A	M4*6 Stainless Steel Pan Head Philips Screw	2	
9	8023614A	US Upper Shell II of Power Box	1	
10	8016762A	M4*6 Stainless Steel Truss Head Philips Screw	2	
11	8022936A	Ajax Bottom Cover of Control Panel	1	
12	8015469B	Ajax Hydraulic Control Panel	1	
13	8022939A	Ajax Upper Cover of Control Panel	1	
14	8001714A	M4*8 Stainless Steel Pan Head Philips SEM Screw	4	
15	8018232A	ST3*10 Pan Head Self-tapping Philips Screw	4	
16	8015988A	M5*12 Stainless Steel Hex Philips SEM Screw	2	
17	8018976B	CF-4 Switch Holder	1	
18	8015022A	Fuse 6GFU-F10A250V	2	
19	8015025A	Fuseholder R3-53A	2	
20	8001375A	Power Switch	1	