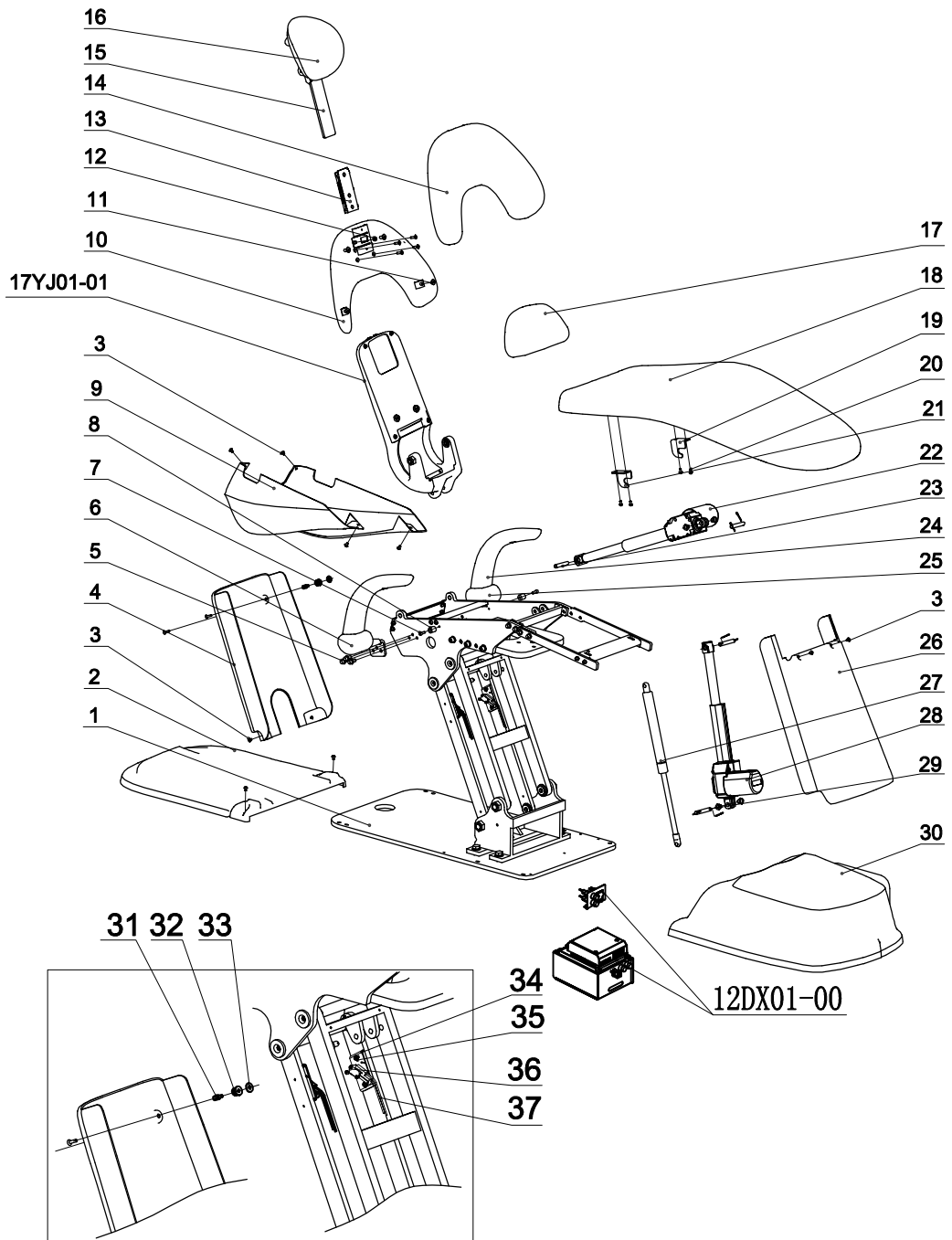


AJ17 Chair Parts list

17YJ01-00A



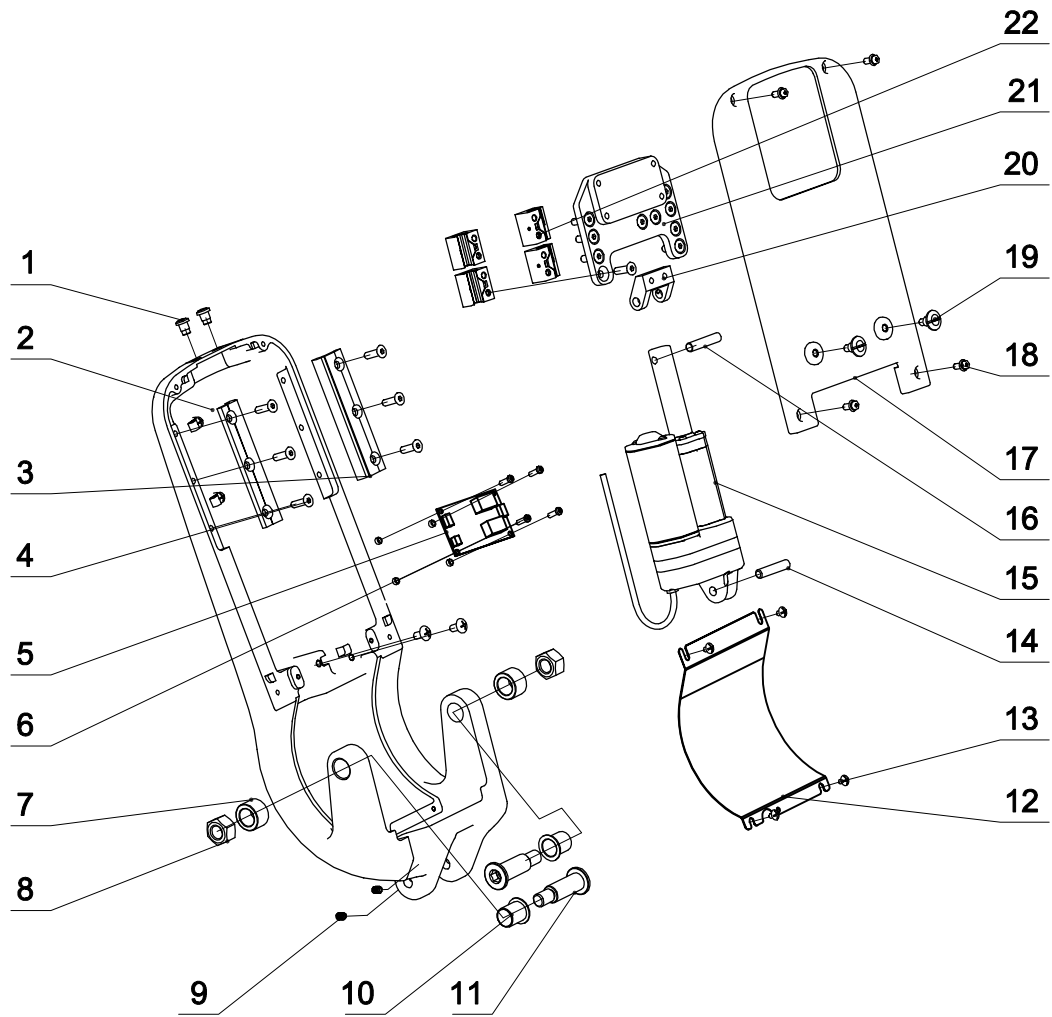
AJ17 Chair Parts list

17YJ01-00A

No.	Material No.	Name	Quantity	Remark
1	8017074K	CF-1 chair frame	1	
2	8020785B	CF-3 behind bottom shell	1	
3	8015988A	M5*8 stainless steel screw	8	
4	8020788C	CF-3 down parallel cover	1	
5	8020848A	M8*20 stainless steel screw	6	
6	8025729A	Ajax Right Armrest Support	1	
7	8001738A	M6*16 Stainless Steel Socket Head Screw	2	
8	8012721A	AJ16 Limit Sleeve of Post Mounted Rotating Arm	2	
9	8020791E	CF-3 cushion protection cover	1	
10	8020803C	CF-3 metal backrest	1	
11	8017173C	1015 backrest fixed shaft	4	
12	8001618A	M6 Stainless Steel Nut	1	
13	8017167B	headrest frame plastic sheet	1	
14		backrest V shoulder pillow microfiber leather	1	
15	8020512C	headrest frameIII	1	
16		pillow microfiber leather	1	
17	8020344C	backrest V lumbar pillow microfiber leather	1	
18		cushion V microfiber leather	1	
19	8020827A	cushion V left buckle	1	
20	8018076A	M5*12 stainless steel screw	4	
21	8020830A	cushion V right buckle	1	
22	8017005B	TA7 quick backrest motor	1	
23	8017152A	55 motor pin	2	
24	8013708D	Ajax Armrest	2	
25	8025726A	<i>Ajax Left Armrest Support</i>	1	
26	8020839A	CF-3 upper parallel cover	1	
27	8010687A	Gas Spring	1	
28	8016168A	TA7-ED Lifting Motor	1	
29	8017155A	63 Motor Pin	2	
30	8020842B	CF-3 big front cover	1	
31	8020956B	M5*15 stainless steel bolt	2	
32	8020950B	safety switch with pad spring	2	
33	8018445A	Butterfly-shape Washer $\phi 12.5 \times 6.2 \times 0.7$	2	
34	8020953B	safety switch bracket	2	
35	8020965A	M5*20 Stainless Steel Pan Head Philips SEM Screw	4	
36	8020968A	M3*16 stainless steel screw	4	
37	8017842B	Ajax sAfety Switch Wire	2	

AJ17 Chair Parts list

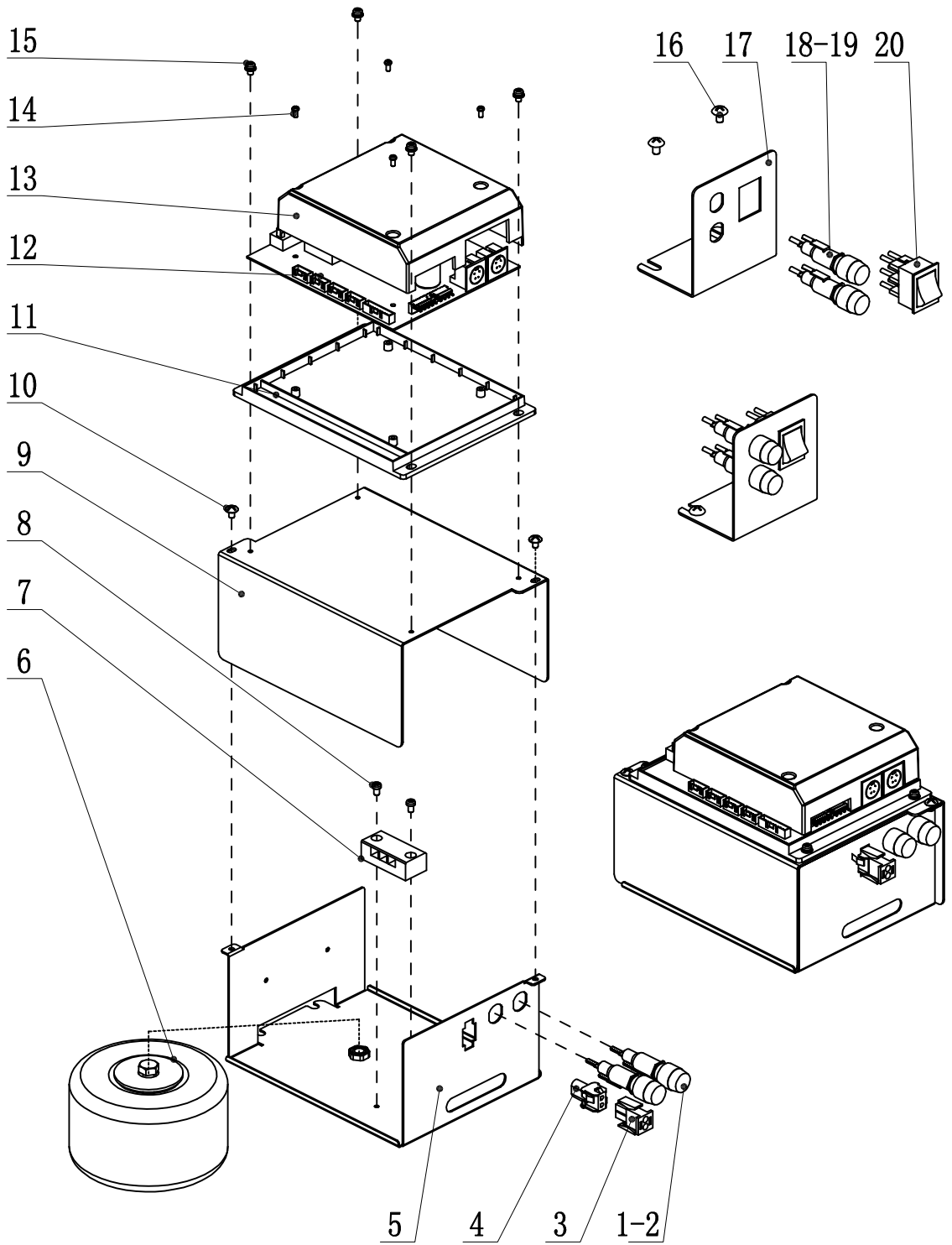
17YJ01-00A



AJ17 Chair Parts list

17YJ01-00A

No.	Material No.	Name	Quantity	Remark
1	8020701A	8mm round metal button switch	2	
2	8020797C	CF-3 aluminum elbow board	1	
3	8020800A	WS-10 round guide rail (customization)	2	
4	8020506A	M6*20 stainless steel screw	10	
5	8020698A	backrest up-down control panel	1	
6	8015112A	M4*8 stainless steel screw	4	
7	8020794A	CF-3 elbow board washer t16	2	
8	8001630A	M12 stainless steel nut	2	
9	8013801A	M6*8 set bolt (black coating)	2	
10	8020836A	GFM-1618-21 plastic sliding bearing	2	
11	8020833A	CF-3 elbow board screw	2	
12	8020824A	CF-3 aluminum elbow board upper shell	1	
13	8015112A	M4*8 stainless steel screw	4	
14	8020821B	φ8 motor fixed pin	1	
15	8019981A	TA16 motor (50)	1	
16	8020806B	φ8 motor push rod pin	1	
17	8020818B	CF-3 motor box top vocer	1	
18	8018076A	M5*12 stainless steel screw	4	
19	8018250A	16 backrest fixed shaft	2	
20	8020815A	CF-3 backrest motor seat	1	
21	8020812A	CF-3 backrest sliding seat	2	
22	8020809A	WJUME-01-10 sliding block	4	



1217US Power Box BreakkdownS

12DX01-00A

No.	Material No.	Name	Quantity	Remark
1	8015022A	Fuse 6GFU-F10A250V	2	
2	8015025A	Fuseholder R3-53A	2	
3	8015076A	2 Ways Connectror(Green) B12630209	1	
4	8015079A	2 ways connectror(Green) B11630209	1	
5	8023611A	US Lower Shell II of Power Box	1	
6	8017902A	280w Transformer II	1	
7	8023626A	3-Ways Connector	1	
8	8001675A	M4*6 Stainless Steel Pan Head Philips Screw	2	
9	8023614A	US Upper Shell II of Power Box	1	
10	8016762A	M4*6 Stainless Steel Truss Head Philips Screw	2	
11	8022936A	Ajax Bottom Cover of Control Panel	1	
12	8015469B	Ajax Hydraulic Control Panel	1	
13	8022939A	Ajax Upper Cover of Control Panel	1	
14	8001714A	M4*8 Stainless Steel Pan Head Philips SEM Screw	4	
15	8018232A	ST3*10 Pan Head Self-tapping Philips Screw	4	
16	8015988A	M5*12 Stainless Steel Hex Philips SEM Screw	2	
17	8018976B	CF-4 Switch Holder	1	
18	8015022A	Fuse 6GFU-F10A250V	2	
19	8015025A	Fuseholder R3-53A	2	
20	8001375A	Power Switch	1	