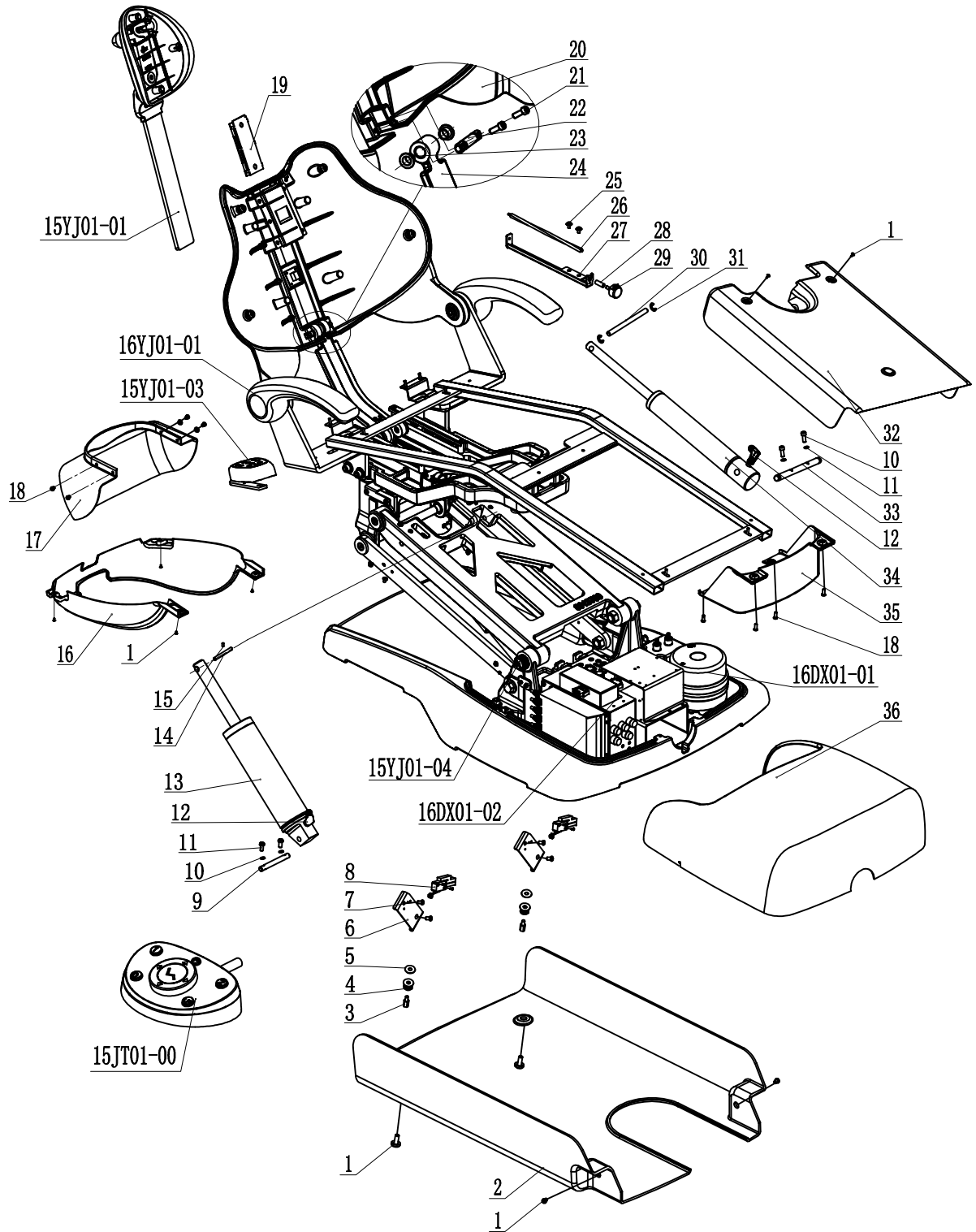


# AJ16 Beyond300 Exploded View

16YJ01-00A



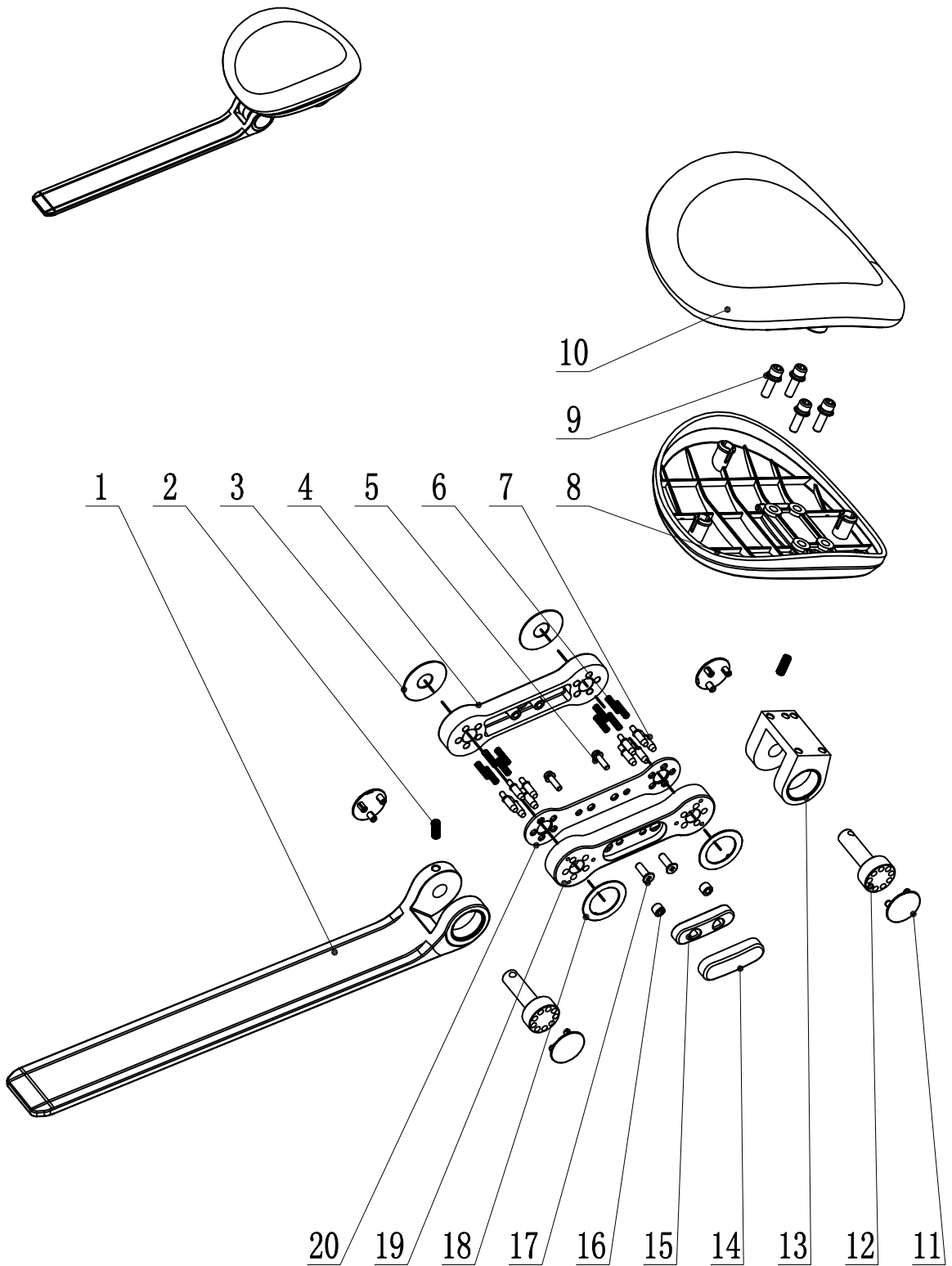
## AJ16 Beyond300 Exploded View

16YJ01-00A

No.	Material No.	Name	Quantity	Remark
1	8020959A	M5*8 Stainless Steel Flat Head Screw ( $\phi$ 15 diameter * 1	10	
2	8014323D	AJ16 Lower Cover II	1	
3	8020956A	Stainless Steel Bolt of Connector	2	
4	8020950A	Safety Switch Spring %%C1.0	2	
5	8018445A	Butterfly-shaped Ring A $\phi$ 12.5*6.2*0.7	2	
6	8020965A	M5*20 Stainless Steel Pan Head Philips SEM Screw	4	
7	8020953A	Safety Switch Holder	2	
8	8000193A	Ajax Safety Switch Wire	2	
9	8014653C	1618 Lower Hydraulic Cylinder Fixing Pin	1	
10	8001564A	$\phi$ 6 Spring Washer	2	
11	8015628A	H03-L102 Elbow Connector	2	
12	8001741A	M6*20 Stainless Steel Socket Head Screw	2	
13	8009952G	Lifting Hydraulic Cylinder	1	
14	8014302A	Fixing Pin of 1618 Pushing Rod	1	
15	8013801A	M6*8 Socket Head Set Screw	2	
16	8022906A	AJ16 US Back Cover of Cushion	1	
17	8014326B	AJ16 Back Cover III	1	
18	80174225	M5*10 Stainless Steel Truss Head Philips Screw	8	
19	8021847A	Plastic Sheet of Headrest	1	
20	8018247D	AJ16 al Breakrest	1	
21	8024247A	M6*25 Stainless Steel Socket Head SEM Screw	2	
22	8018274A	Fixing Pin for Backrest Pusher	1	
23	8012454A	GFM-1214-10 Plastic Sliding Bear	2	
24	8018136C	AJ16 AI Breakrest Pusher- Hydraulic Vision	1	
25	8018076A	M5*12 Stainless Steel Hex Philips SEM Screw	2	
26	8012379A	AJ16 Upper VR Driver Lever	1	
27	8016942A	AJ16 Potentiometer Holder	1	
28	8013663A	$\phi$ 8* $\phi$ 5 TDS Transparent Hose	1	
29	8017869A	Hydraulic Backrest Potentiometer Wire	1	
30	8014668C	Pin for AJ16 Upper Hydraulic Cylinder	2	
31	8014731A	The Elastic Retaining Ring with 12 Axis	1	
32	8014332B	AJ16 Upper Cover II	1	
33	8014665D	Fixing Pin for AJ16 Upper Hydraulic Cylinder	1	
34	8009955B	Pitching Hydraulic Cylinder	1	
35	8014335A	Front Shell II for AJ16 Cushion	1	
36	8018979D	CF-4 Front Cover	1	

# Headrest Parts list

15YJ01-01A



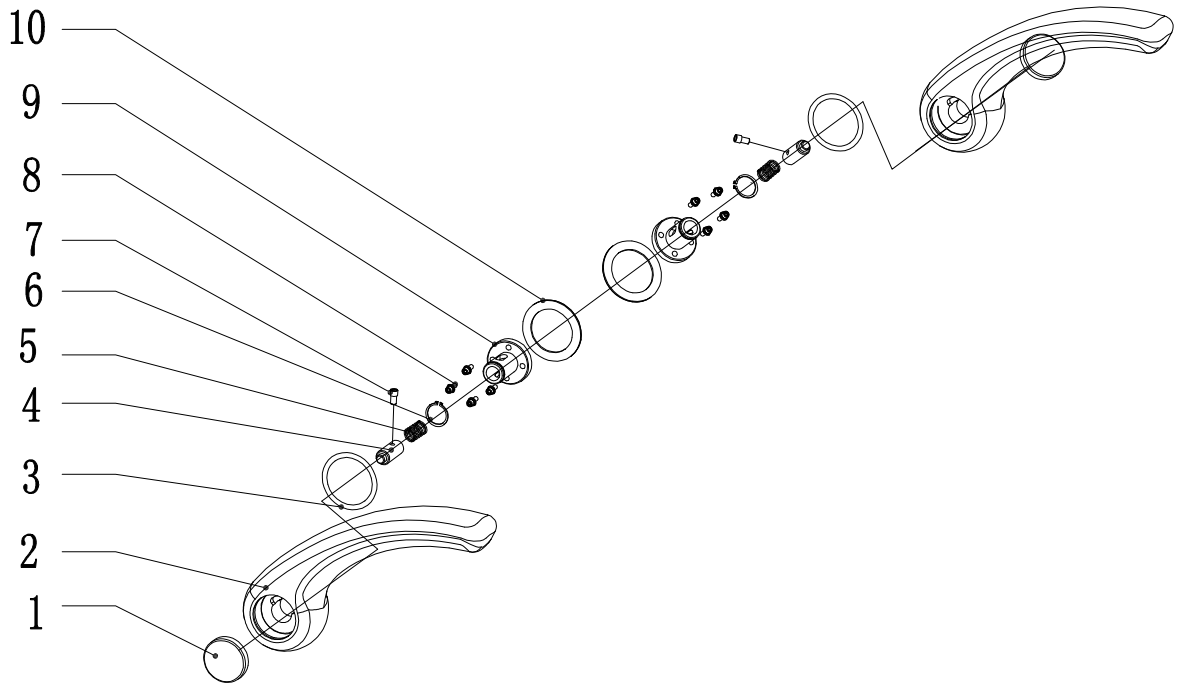
# Headrest Parts list

15YJ01-01A

No.	Part number	Name	Number	Remark
1	8024433B	BP-1 fixed rod	1	
2	8025057A	M6*16 set screw(12.9 level)	2	
3	8024436A	BP-1 washer I	2	
4	8024439A	BP-1 adjustment seat II	1	
5	8018238A	M4*16 Stainless steel screw	2	
6	8024442A	BP-1 adjustment spring	10	
7	8024445A	BP-1 locating pin	10	
8	8024448A	BP-1 cover	1	
9	8016660A	M6*20 Stainless steel screw	4	
10		headrest PU	1	
11	8024451A	BP-1 decoration cover	4	
12	8024454B	BP-1 rotate axle	2	
13	8024457A	BP-1 fixed seat	1	
14	8024460A	BP-1 button shell	1	
15	8024463A	BP-1 button inner shell	1	
16	8024466A	oily bushing 4x8x6	2	
17	8001651A	M5*16 Stainless steel screw	2	
18	8024472A	BP-1 washer II	2	
19	8024469B	BP-1 adjustment seat I	1	
20	8024475A	BP-1 guide plate	1	

# 16 Handle Parts list

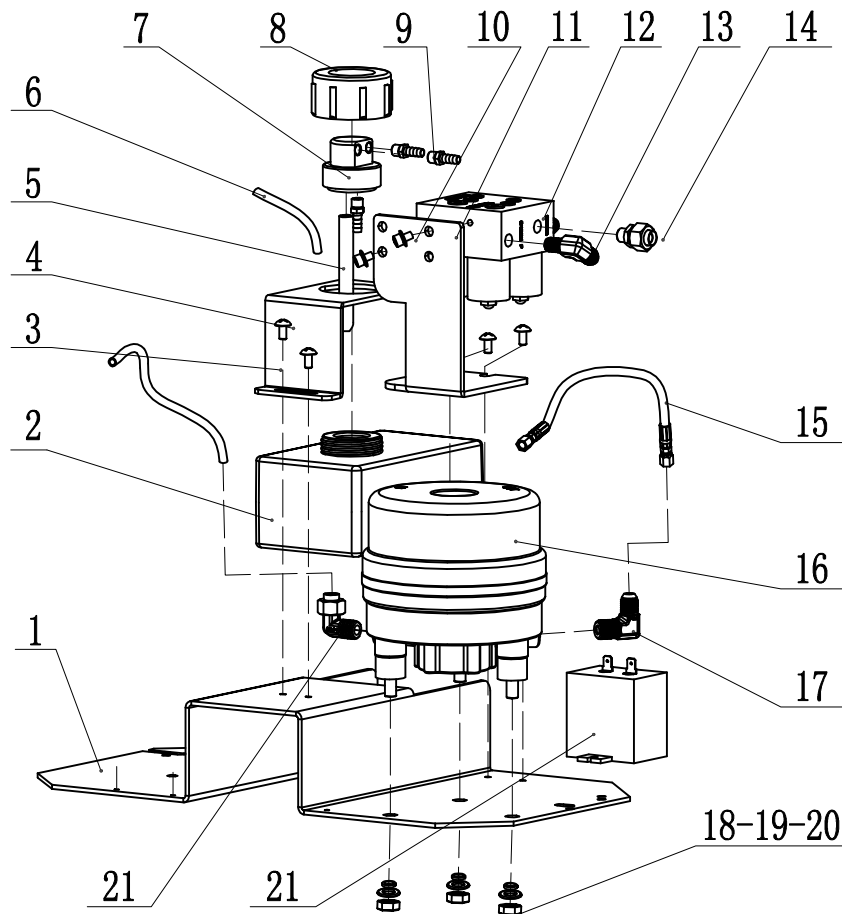
16YJ01-01A



No.	Material No.	Name	Quantity	Remark
1	8013729A	AJ16 Armrest Button II	2	
2	8011602A	AJ16 Armrest	2	
3	8004726A	O Ring of $\phi 48 \times \phi 3$	2	
4	8012094A	AJ16 Armrest Button Axis	2	
5	8012103B	AJ16 Armrest Spring ( $\phi 1.2$ )	2	
6	8012100A	Elastic Retaining Ring for $\phi 24$ Axis	2	
7	8012097A	AJ16 Armrest Limit Screw	2	
8	8021268A	M5*20 Stainless Steel Socket Head SEM Screw	4	
9	8012085C	AJ16 Armrest limit seat	2	
10	8013735A	Big Washer II of AJ16 Armrest	2	

# 16US Hydraulic Unit Assembly

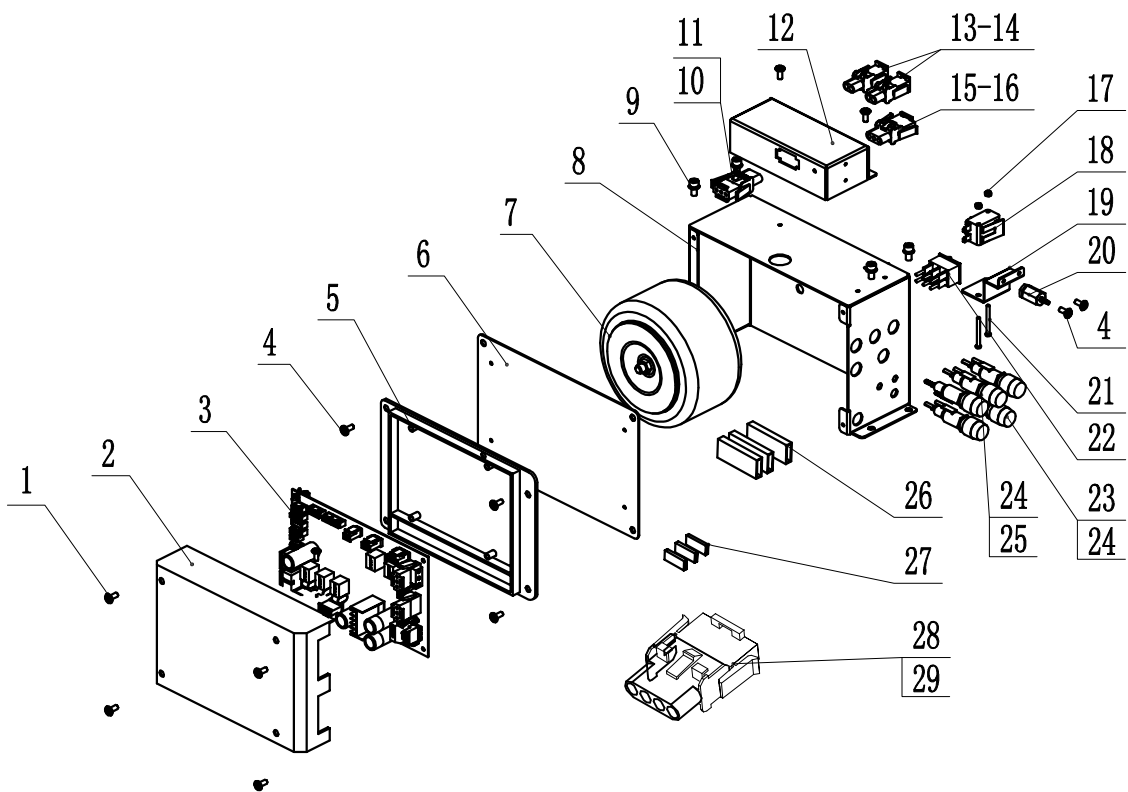
16DX01-01A



No.	Material No.	Name	Quantity	Remark
1	8011899D	AJ16 Hydraulic Fixed Plate [T]	1	
2	8009958A	Oiler	1	
3	8016315A	AJ18 Oiler Fixed Plate	1	
4	8015988A	M5*8 Stainless Steel Truss Head Philips Screw	2	
5	8023620A	Supply Hose II for Oiler	1	
6	8013663A	φ8*φ5 TDS Transparent Hose	1	
7	8023623A	Connector for Oiler Hose	1	
8	8009967A	Plastic Nut	1	
9	8023599A	φ6 Connector	3	
10	8018076A	M5*12 Stainless Steel Hex Philips SEM Screw	2	
11	7005815	Solenoid Valve Holder [T]	1	
12	8019474A	Solenoid Valve Group SVU2-A115-12(115V)	1	
13	8015652A	H03-L102 Elbow Connector	2	
14	8015646A	N03-C1025 Elbow Connector	1	
15	8015643A	Oil Tubing(L=335)	1	
16	8019468A	Hydraulic Pump TSM-CBC-8LP-MU (115V, 8L)	1	
17	8015628A	H03-L202 Elbow Connector	1	
18	8001621A	M8 Stainless Steel Nut	3	
19	8001567A	φ8 Spring Washer	3	
20	8001594A	φ8 Washer	3	
21	8015640A	N06-L2025 Elbow Connector	1	

# 16us Power Box Assembly

16DX01-02A



# 16us Power Box Assembly

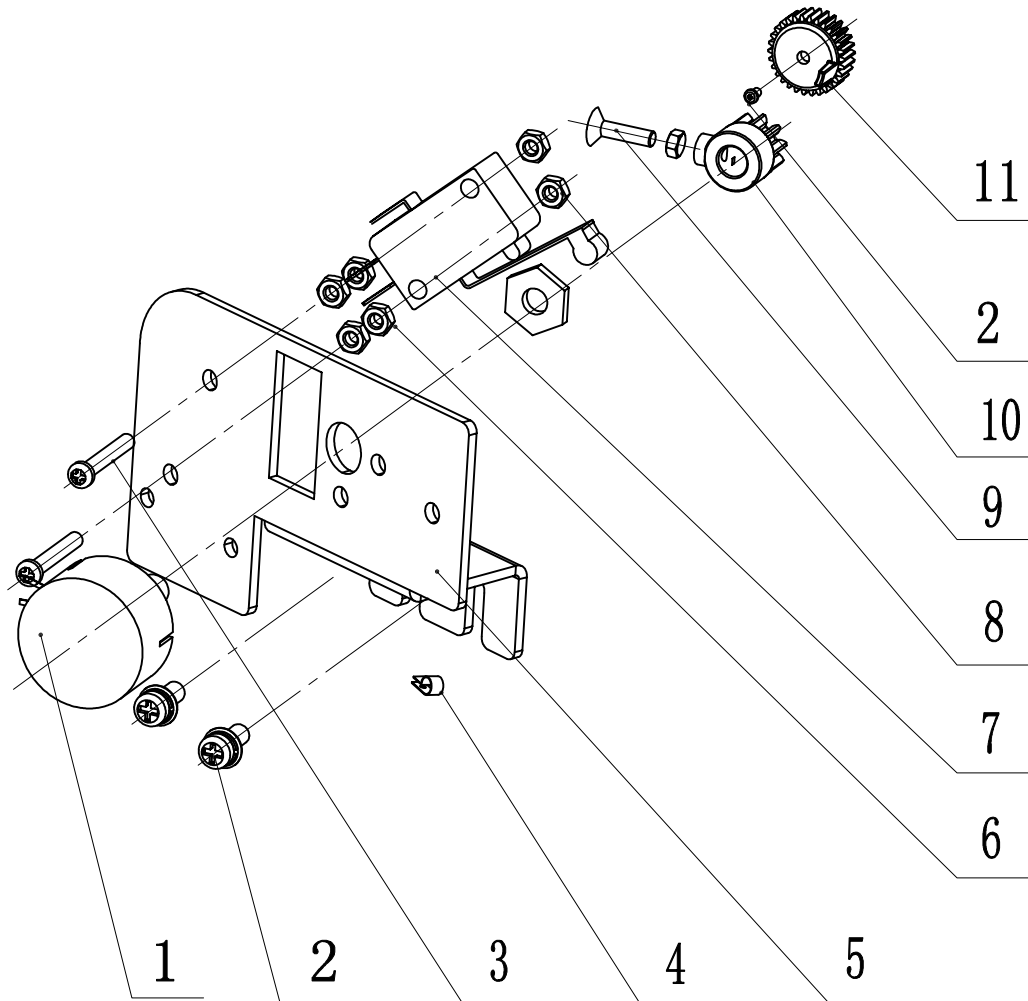
**16DX01-02A**

No.	Material No.	Name	Quantity	Remark
1	8001714A	ST3*10 Pan Head Self-tapping Philips Screw	4	
2	8022939B	Upper Shell of AJAX Main Control Panel	1	
3	8015487B	Ajax Hydraulic Main Control Panel	1	
4	8018232A	M4*8 Stainless Steel Pan Head Philips SEM Screw	6	
5	8022936B	Bottom Cover of AJAX Main Control Panel	1	
6	8015010D	Upper Shell of Power Box	1	
7	8024133B	280W Transformer	1	
8	8015013F	Lower Shell of Power Box	1	
9	8015988A	M5*8 Stainless Steel Truss Head Philips Screw	4	
10	8015064A	3 ways connectror(red) male B12630303	2	
11	8015067A	3 ways connectror (red) male B11630303	2	
12	8015262C	Fixed Plate for Connector	1	
13	8015076A	2 ways connectror(green) male B12630209	1	
14	8015079A	2 ways connectror(green) male B11630209	1	
15	8015409A	2 ways connectror(blue) male B1263	1	
16	8015412A	2 ways connectror(blue) male B1163	1	
17	8001609A	M3 Stainless Steel Nut	2	
18	8015031A	KW3-OZ-D112012L21 2-way microswitch	1	
19	8015028A	Fixed Pllate for Microswitch	1	
20	8015328A	Air controlled valve (φ2.4)	1	
21	8015034A	R13-117D 6P Rocker Switch	1	
22	8005542A	M3*30 Stainless Steel Pan Head Philips Screw	2	
23	8015019A	6GFU-F6A250V Fuse	2	
24	8015025A	R3-53A Fuse Holder	5	
25	8015022A	6GFU-F10A250V Fuse	3	
26	8015037A	4 Ways Block (878301)	8	
27	8015040A	2 Ways Block (DMTF250)	7	
28	8015820A	3 Ways Connectror (white) Male	1	
29	8015823A	3 Ways Connectror (white) Male	1	



# Lower Limit Switch Parts list

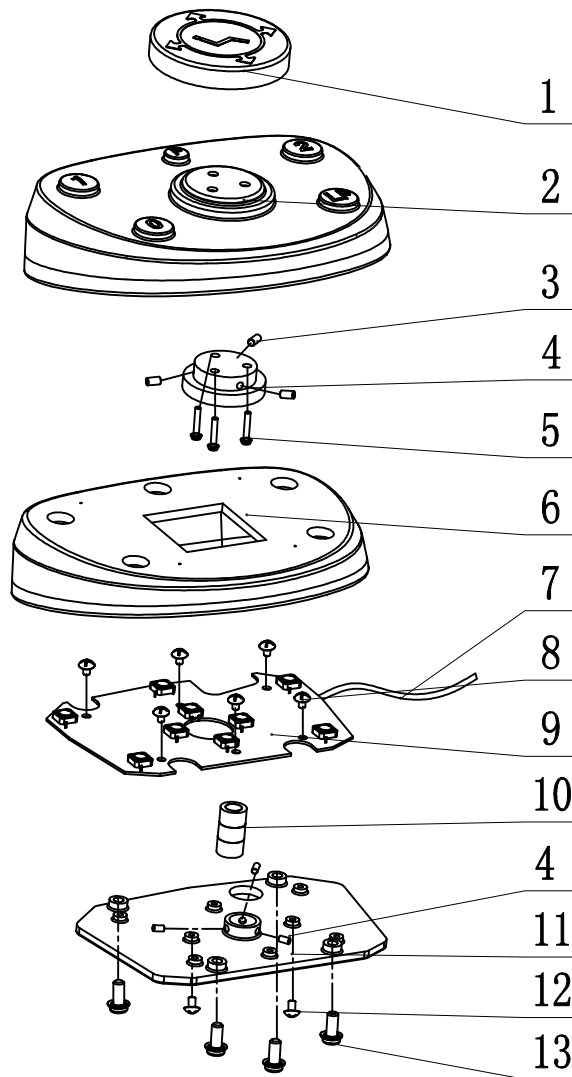
15YJ01-04A



No.	Material No.	Name	Quantity	Remark
1	8017866A	Potentiometer Line of Hydraulic Chair Frame	1	
2	8018235A	M4*10 Stainless Steel Pan Head Philips SEM Screw	3	
3	8020959A	M3*20 Stainless Steel Pan Head Philips Screw	2	
4	8020464A	R Shape Wire Clip 3	1	
5	8020092B	VR Fixed Plate	1	
6	8001612A	M4 Stainless Steel Nut	4	
7	8017845C	Ajax Limited Position Switch Line	1	
8	8001609A	M3 Nut	7	
9	8013736A	M3*16 Stainless Steel Counter sunk Head Philips Screw	1	
10	8013726A	Sensor Driven Gear II	1	
11	8013723A	Lower Sensor Driven Gear II	1	

# Breakdown of FT-1 Electric Foot Control

15JT01-00A



No.	Material No.	Name	Quantity	Remark
1	8019057A	FT-1 Foot Control Ring		
2	8019069A	FT-1 Plastic Cover	1	
3	8012166A	M5*6 Socket Head Set Screw with Flat End	6	
4	8019060A	FT-1 Flanged Base of Foot Control Ring	1	
5	8021262A	M4*20 Stainless Steel Pan Head Philips SEM Screw	3	
6	8019063A	FT-1 Balancing Weight	1	
7	8020095B	AJAX Strong Foot Control Line	1	
8	8015112A	M4*8 Stainless Steel Truss Head Philips Screw	6	
9	8018619B	AJAX Foot Control Keypad I	1	
10	8019054A	FT-1 Buffer Bar	1	
11	8019066B	FT-1 Keypad Fixed Plate	1	
12	8016762A	M4*6 Stainless Steel Truss Head Philips Screw	2	
13	8021265A	M5*16 Stainless Steel Pan Head Philips SEM Screw	4	