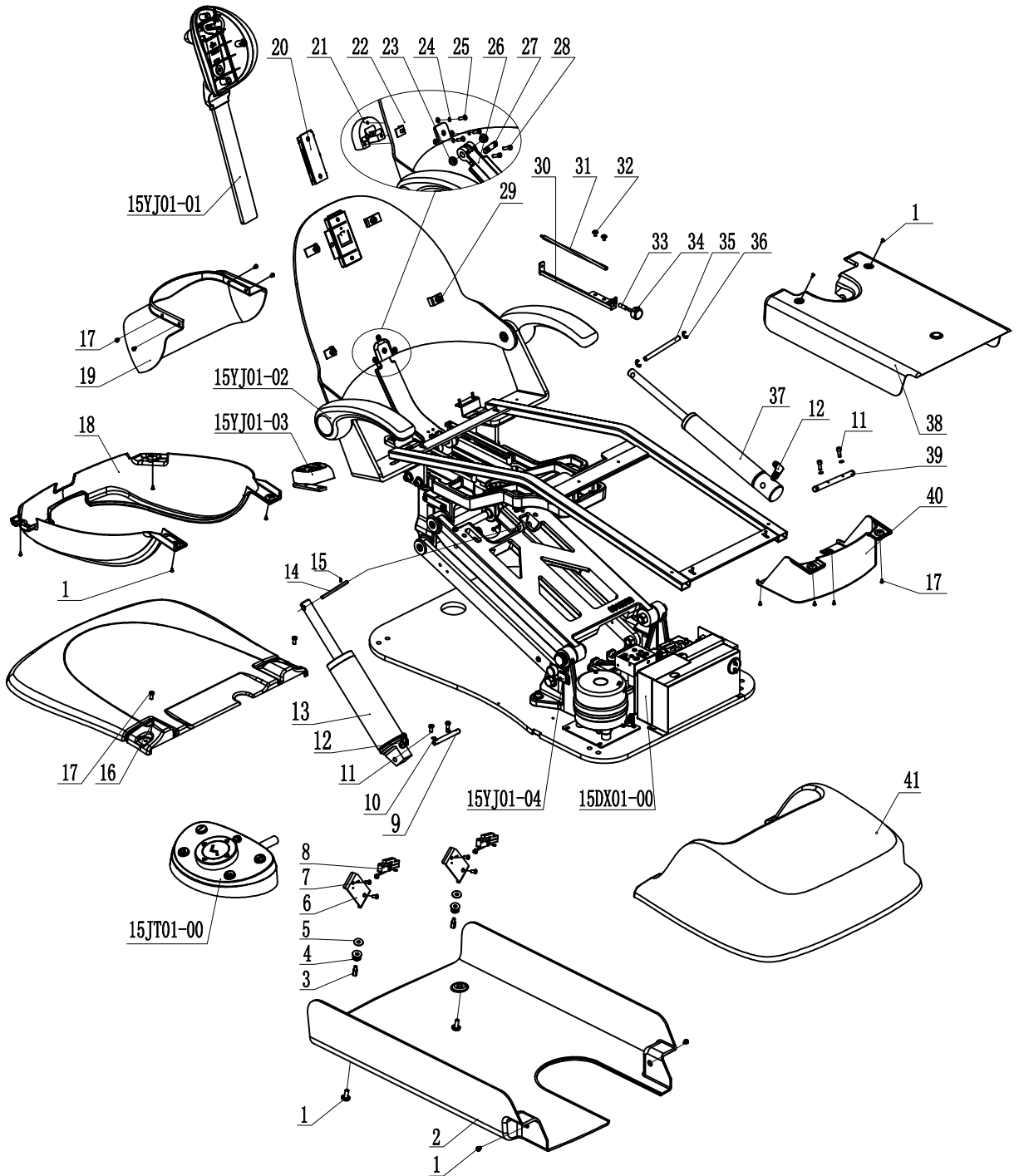


15 Classic100 Parts list

15YZ01-00A



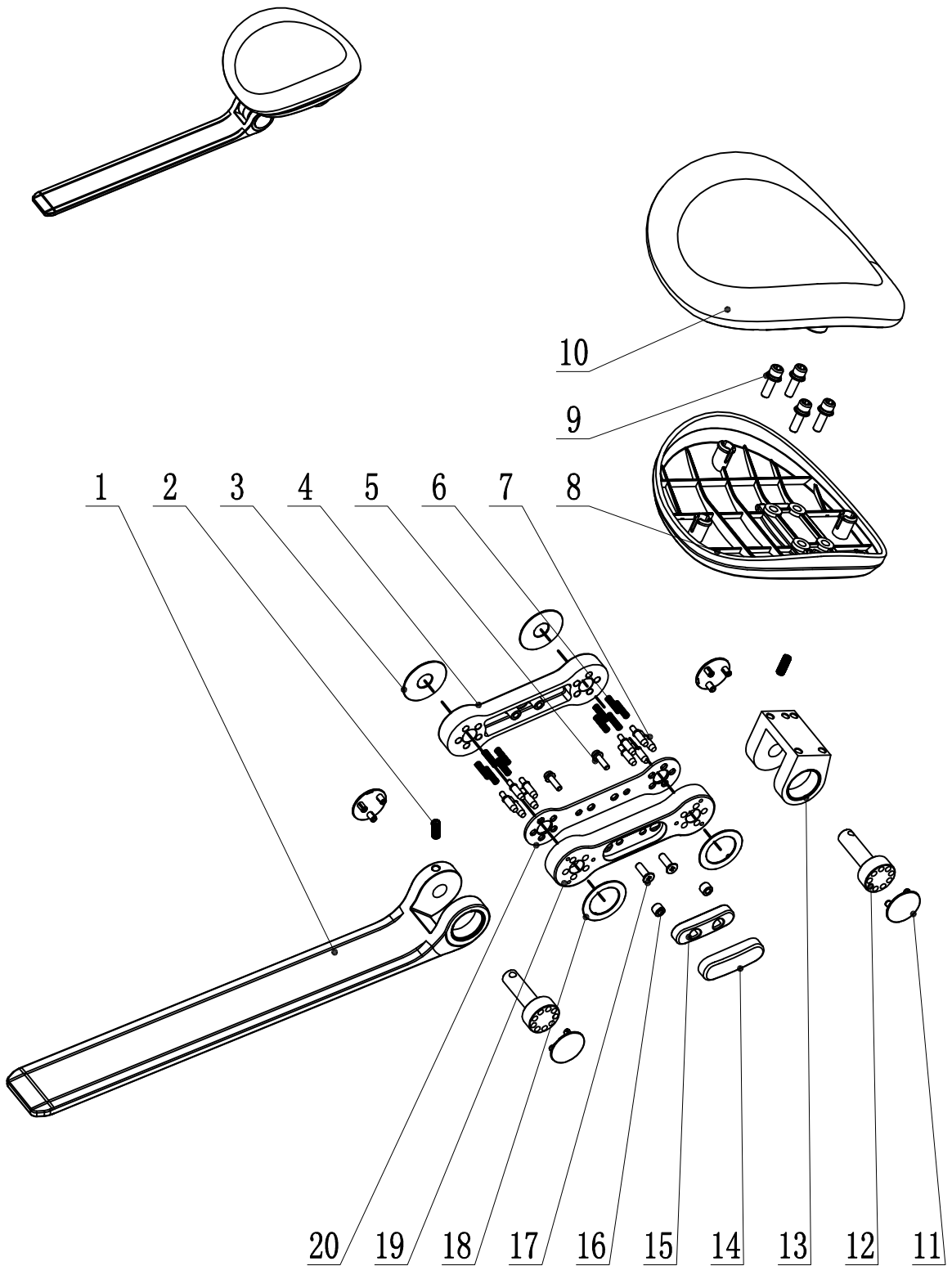
15 Classic100 Parts list

15YZ01-00A

No.	Material No.	Name	Quantity	Remark
1	8020959A	M5*8 Stainless Steel Flat Head Screw (φ15 diameter * 1.5 thickness)	10	
2	8014323C	AJ16 Lower Cover II	1	
3	8020956A	M5*15 Stainless Steel Internal & External Bolt	2	
4	8020950A	Safety Switch Spring %%C1.0	2	
5	8018445A	Butterfly-shape Washer A φ12.5*6.2*0.7	2	
6	8020953A	Safety Switch Holder	2	
7	8020965A	M5*20 Stainless Steel Pan Head Philips SEM Screw	4	
8	8000193A	Ajax Safety Switch Wire	2	
9	8014653C	1618 Lower Hydraulic Cylinder Fixing Pin	1	
10	8001741A	M6*20 Stainless Steel Socket Head Screw	2	
11	8001564A	φ6 Spring	1	
12	8009940A	Connector PT 1/4"*90°-PF 1/4"	2	
13	8009952G	Lifting Hydraulic Cylinder	1	
14	8014302A	Fixing Pin of 1618 Pushing Rod	1	
15	8013801A	M6*8 Socket Head Set Screw	1	
16	8018982C	CF-4 Back Cover	1	
17	8017422A	M5*10 Stainless Steel Truss Head Philips Screw	10	
18	8022906A	AJ16 US Back Cover of Cushion	1	
19	8014326B	AJ16 Back Cover III	1	
20	8021847A	Plastic Sheet of Headrest Bracket	1	
21	8019390A	American Backrest Pusher Cover	1	
22	8019105C	American Metal Backrest	1	
23	8012454A	GFM-1214-10 Plastic Sliding Bear	2	
24	8018991A	M6 Outer Sawtooth Washer	3	
25	8010042A	M6*20 Stainless Steel Socket Countersunk Head Screw	3	
26	8018136C	AJ16 Hydraulic AI Backrest Pusher	1	
27	8018274A	Fixed Axis of Backrest Pusher	1	
28	8024247A	M6*25 Stainless Steel Socket Head SEM Screw	2	
29	8017173A	1015 Fixed Axis of Backrest	1	
30	8016942A	AJ16 Potentiometer Holder	1	
31	8012379A	AJ16 Upper VR Driver Lever	2	
32	8018076A	M5*12 Stainless Steel Hex Philips SEM Screw	1	
33	8013663A	φ8*φ5 TDS Transparent Hose	1	
34	8017869A	Hydraulic Backrest Potentiometer Wire	1	
35	8014668C	AJ16 Hydraulic Backrest Pusher Pin	2	
36	8014731A	Retaining Ring for φ12 Axis	1	
37	8009955B	Pitching Hydraulic Cylinder	1	
38	8014332B	AJ16 Upper Cover II	1	
39	8014665D	Fixing Pin for AJ16 Upper Hydraulic Cylinder	1	
40	8014335A	Front Shell II for AJ16 Cushion	1	
41	8018979D	CF-4 Front Cover	1	

Headrest Parts list

15YJ01-01A



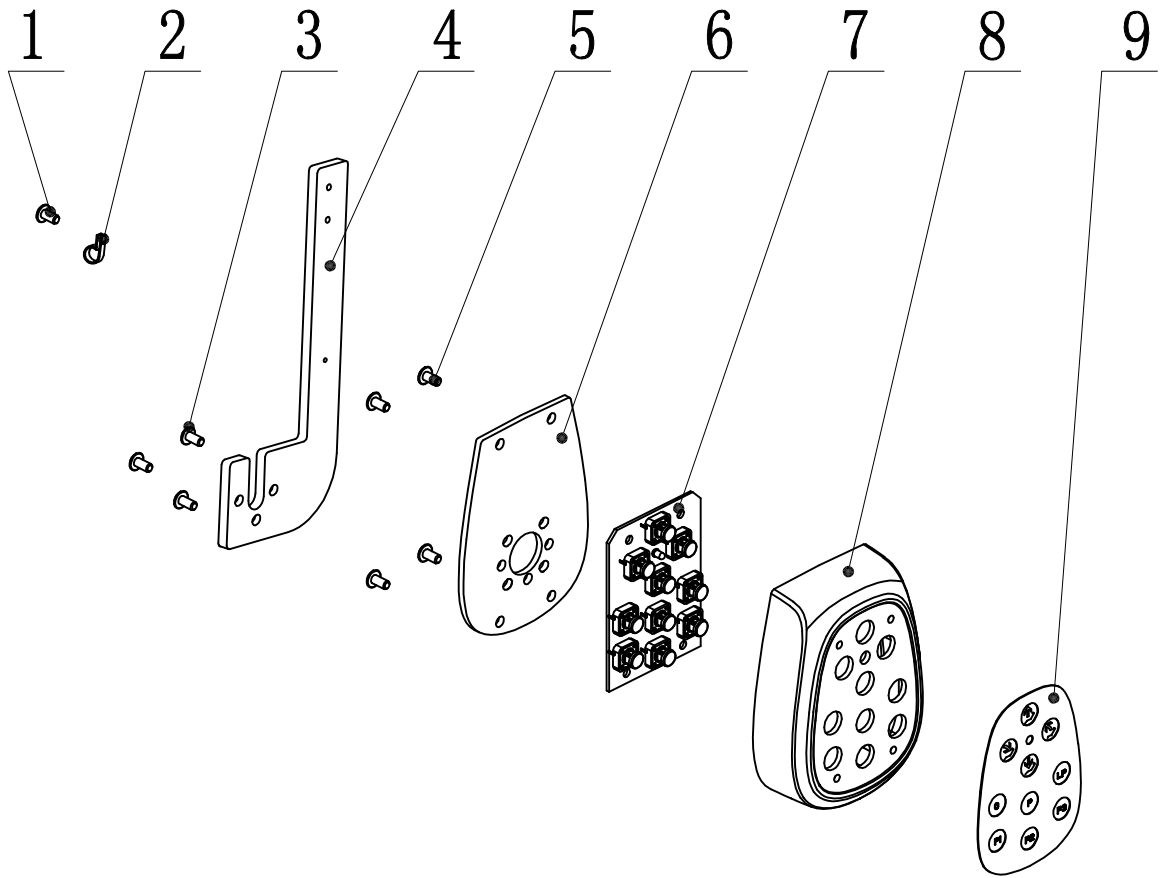
Headrest Parts list

15YJ01-01A

No.	Part number	Name	Number	Remark
1	8024433B	BP-1 fixed rod	1	
2	8025057A	M6*16 set screw(12.9 level)	2	
3	8024436A	BP-1 washer I	2	
4	8024439A	BP-1 adjustment seat II	1	
5	8018238A	M4*16 Stainless steel screw	2	
6	8024442A	BP-1 adjustment spring	10	
7	8024445A	BP-1 locating pin	10	
8	8024448A	BP-1 cover	1	
9	8016660A	M6*20 Stainless steel screw	4	
10		headrest PU	1	
11	8024451A	BP-1 decoration cover	4	
12	8024454B	BP-1 rotate axle	2	
13	8024457A	BP-1 fixed seat	1	
14	8024460A	BP-1 button shell	1	
15	8024463A	BP-1 button inner shell	1	
16	8024466A	oily bushing 4x8x6	2	
17	8001651A	M5*16 Stainless steel screw	2	
18	8024472A	BP-1 washer II	2	
19	8024469B	BP-1 adjustment seat I	1	
20	8024475A	BP-1 guide plate	1	

Assembly of CB-1 Control Box

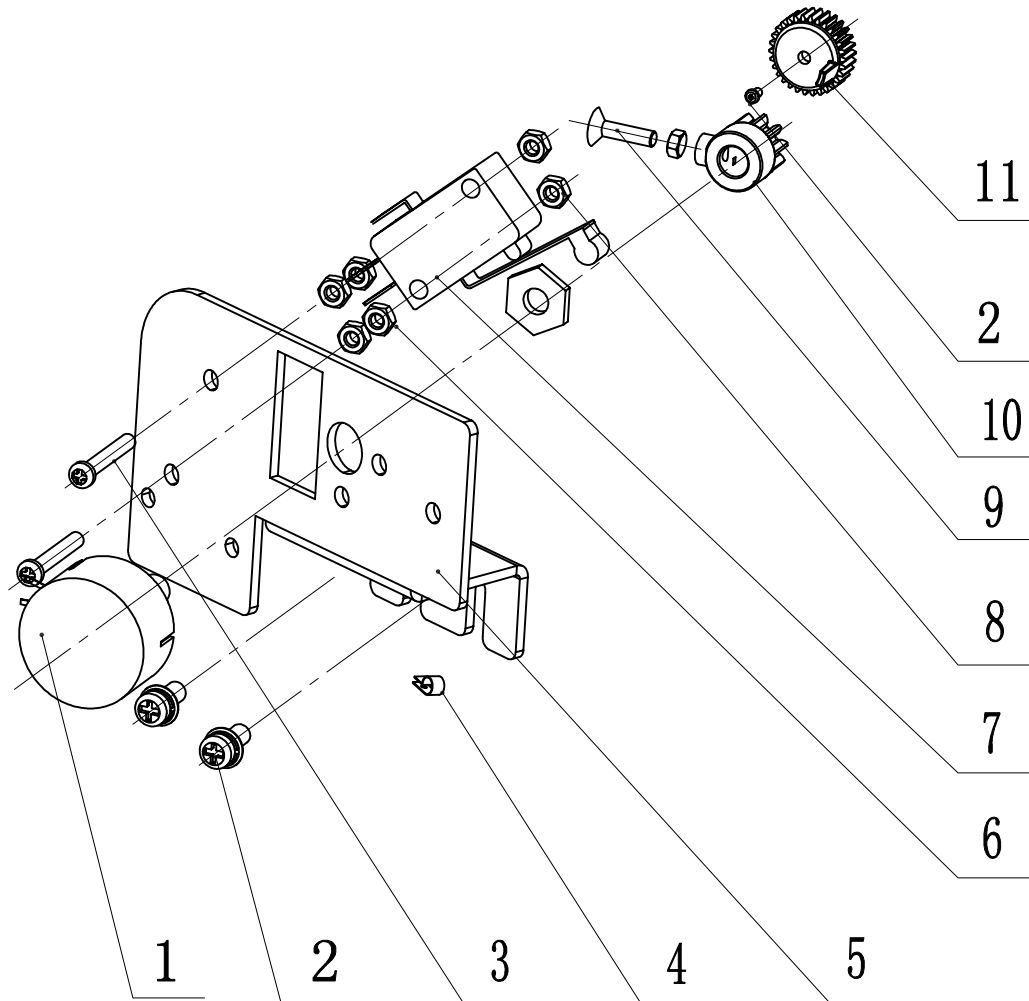
15YJ01-03A



No.	Material No.	Name	Quantity	Remark
1	8001681A	M4*10 Stainless Steel Pan Head Philips SEM Screw	1	
2	8020464A	Wire buckle	1	
3	8001702A	M5*16 Stainless Steel Pan Head Philips SEM Screw	3	
4	8025732A	CB-1 Fixed Block of Control Box	1	
5	8015112A	M4*8 Stainless Steel Truss Head Philips Screw	4	
6	8018850C	CB-1 Control Box Baseplate	1	
7	8018616B	Ajax Main Keypad III	1	
8	8018871A	CB-1 Upper Shell	1	
9	8018844A	CB-1 ED Film	1	

Lower Limit Switch Parts list

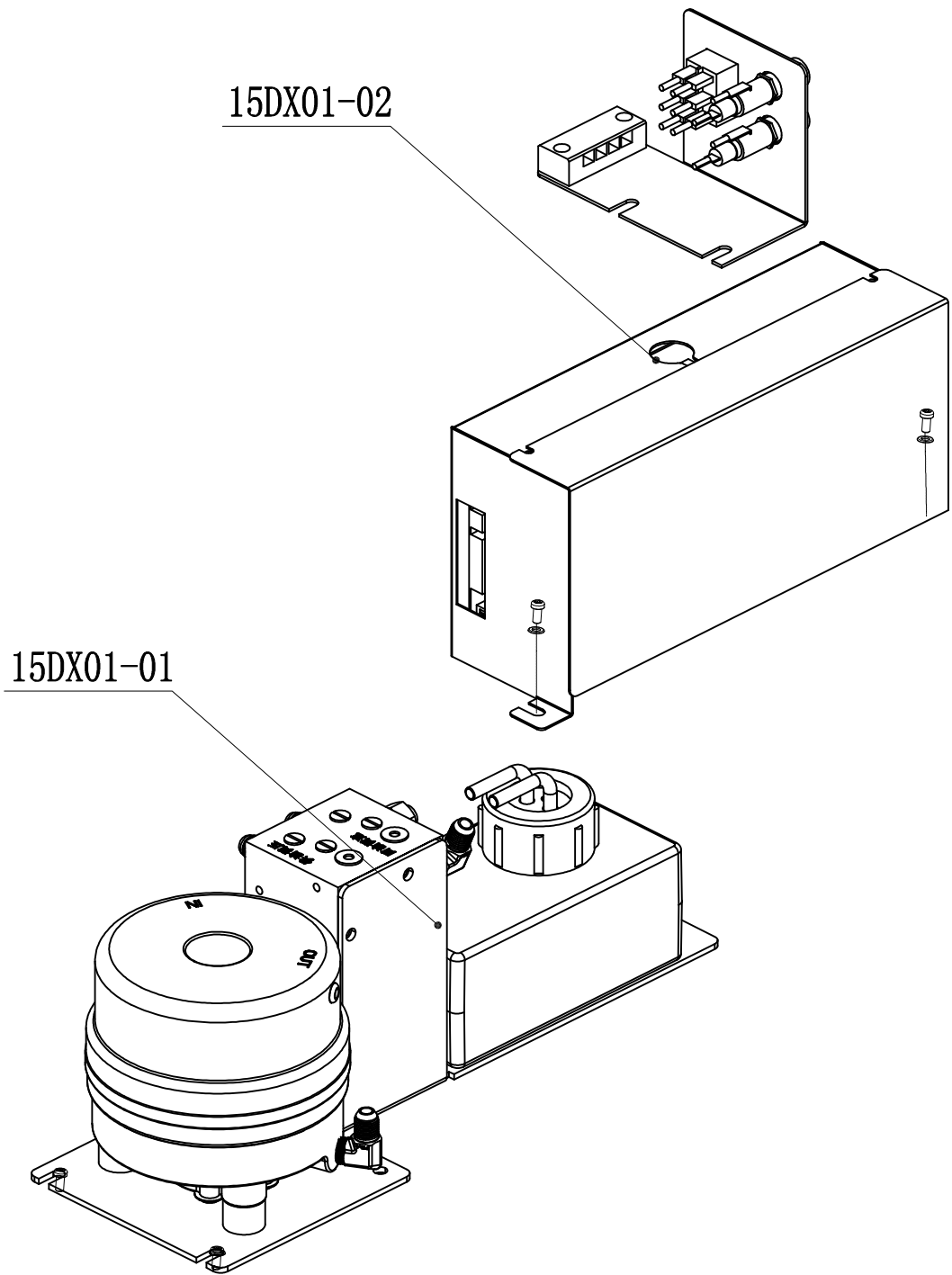
15YJ01-04A



No.	Material No.	Name	Quantity	Remark
1	8017866A	Potentiometer Line of Hydraulic Chair Frame	1	
2	8018235A	M4*10 Stainless Steel Pan Head Philips SEM Screw	3	
3	8020959A	M3*20 Stainless Steel Pan Head Philips Screw	2	
4	8020464A	R Shape Wire Clip 3	1	
5	8020092B	VR Fixed Plate	1	
6	8001612A	M4 Stainless Steel Nut	4	
7	8017845C	Ajax Limited Position Switch Line	1	
8	8001609A	M3 Nut	7	
9	8013736A	M3*16 Stainless Steel Counter sunk Head Philips Screw	1	
10	8013726A	Sensor Driven Gear II	1	
11	8013723A	Lower Sensor Driven Gear II	1	

15US Power Sutie

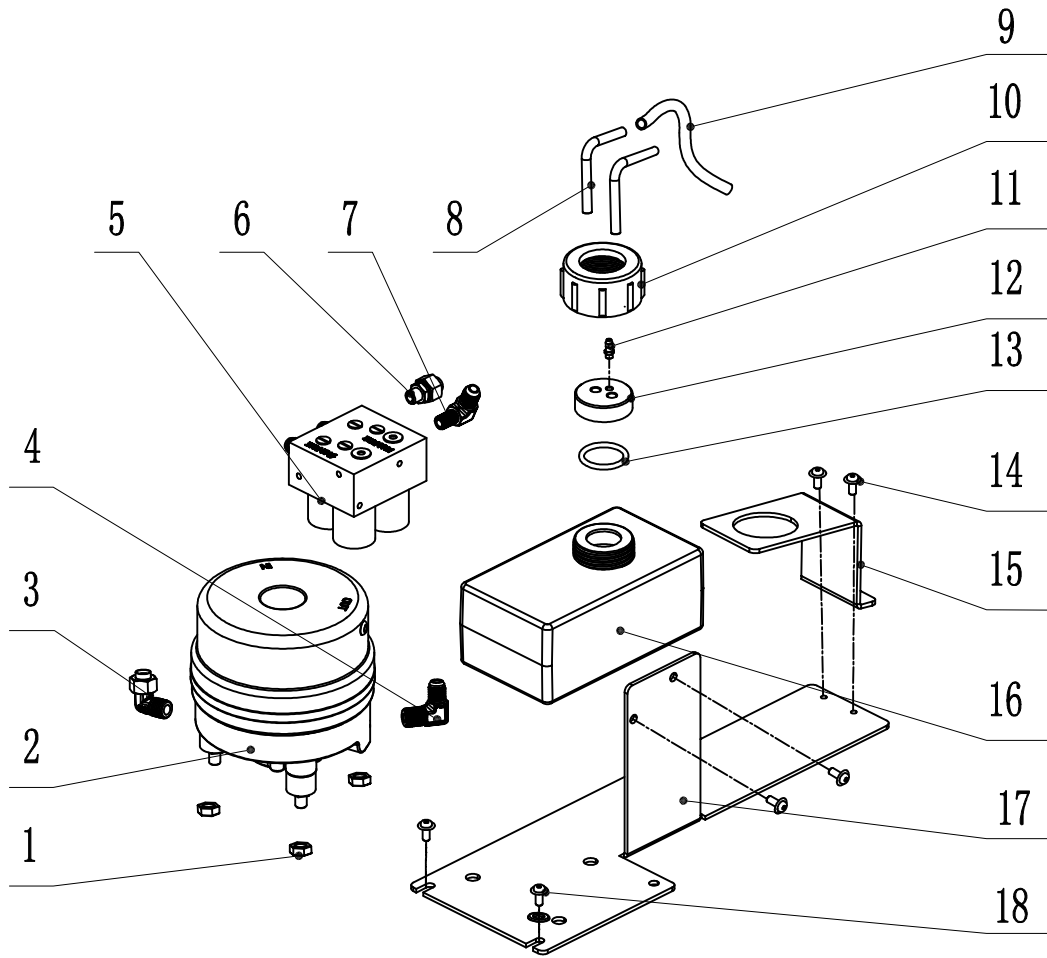
15DX01-00A



No.	Material No.	Name	Quantity	Remark
1	15DX01-01	15US Hydraulic Power Sutie	1	
2	15DX01-02	15US Power Box Assembly	1	

15US Power Suite

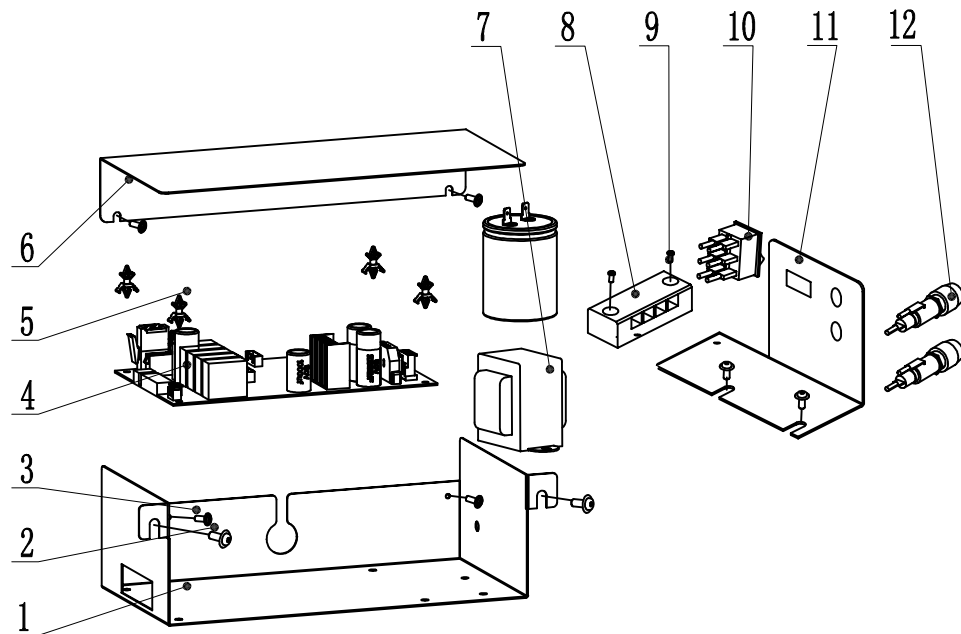
15DX01-01A



No.	Material No.	Name	Quantity	Remark
1	8001621A	M8 Stainless Steel Nut	3	
2	8019468A	Hydraulic Pump TSM-CBC-8LP-MU (115V, 8L)	1	
3	8015649A	H02-C102 Elbow Connector	1	
4	8015640A	N06-L2025 Elbow Connector	1	
5	8019474A	Solenoid Valve Group SVU2-A115-12(115V)	1	
6	8015652A	H03-L102 Elbow Connector	1	
7	8015646A	N03-C1025 Elbow Connector	1	
8	8023620A	Oil Supply Hose II	1	
9	8013663A	φ8*φ5 TDS Transparent Hose	0.2	
10	8009967A	Liansu Plastic Nut	1	
11	8011032B	φ4.7 Copper Connector	1	
12	8023623A	Oiler Hose Connector	1	
13	8009961A	O Ring of φ 28* φ 3.55	1	
14	8015988A	M5*8 Stainless Steel Truss Head Philips Screw	1	
15	8016315A	AJ18 Oiler Fixed Plate	1	
16	8009958A	Oiler	1	
17	8020983B	CF-4 Hydraulic Suite Holder [T]	1	
18	8018076A	M5*12 Stainless Steel Hex Philips SEM Screw	4	

Power Box Assembly

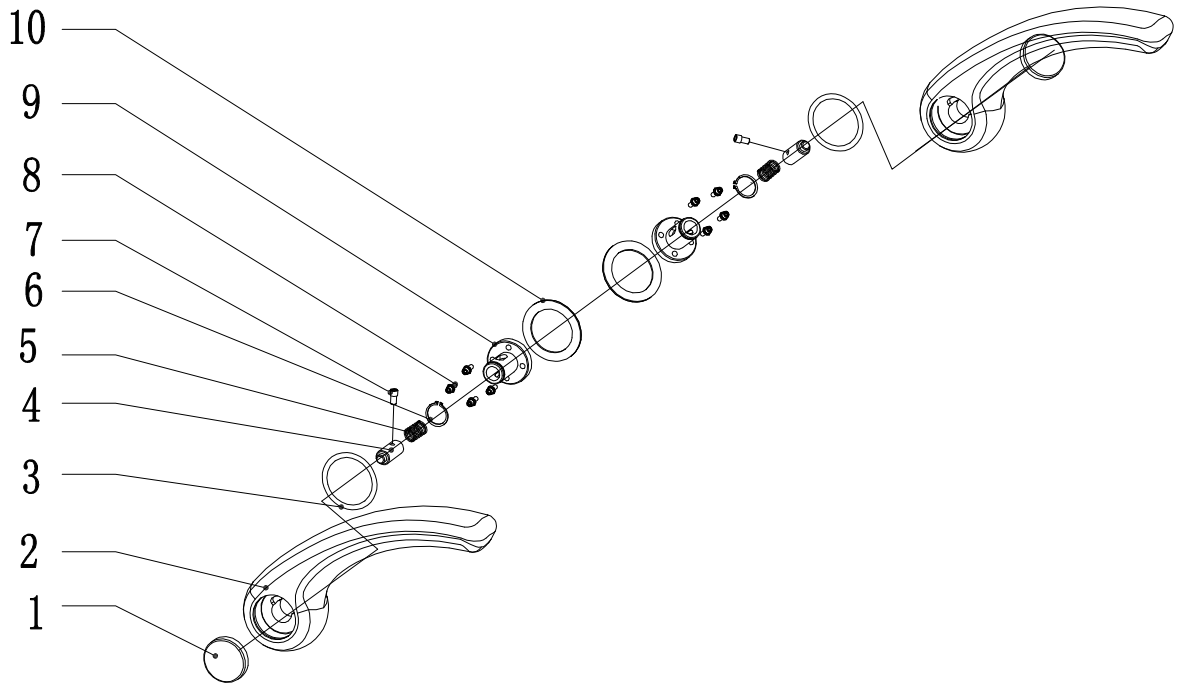
15DX01-02



No.	Material No.	Name	Quantity	Remark
1	8018967C	CF-4 Back Cover of Control Keypad	1	
2	8018076A	M5*12 Stainless Steel Hex Philips SEM Screw	4	
3	8016762A	M4*6 Stainless Steel Truss Head Philips Screw	4	
4	8015487B	Ajax Hydraulic Main Control Panel	1	
5	8012934A	Double Hook PCB Isolation Post	1	
6	8018970B	CF-4 Front Cover of Control Keypad [T]	1	
7	8019588B	30VA Transformer (Square)	1	
8	8002164A	4-ways Connector	1	
9	8001678A	M4*8 Stainless Steel Pan Head Philips Screw	2	
10	8001375A	Power Switch	1	
11	8018976B	CF-4 Switch Holder	1	
12	8015025A	Fuseholder R3-53A	2	

16 Handle Parts list

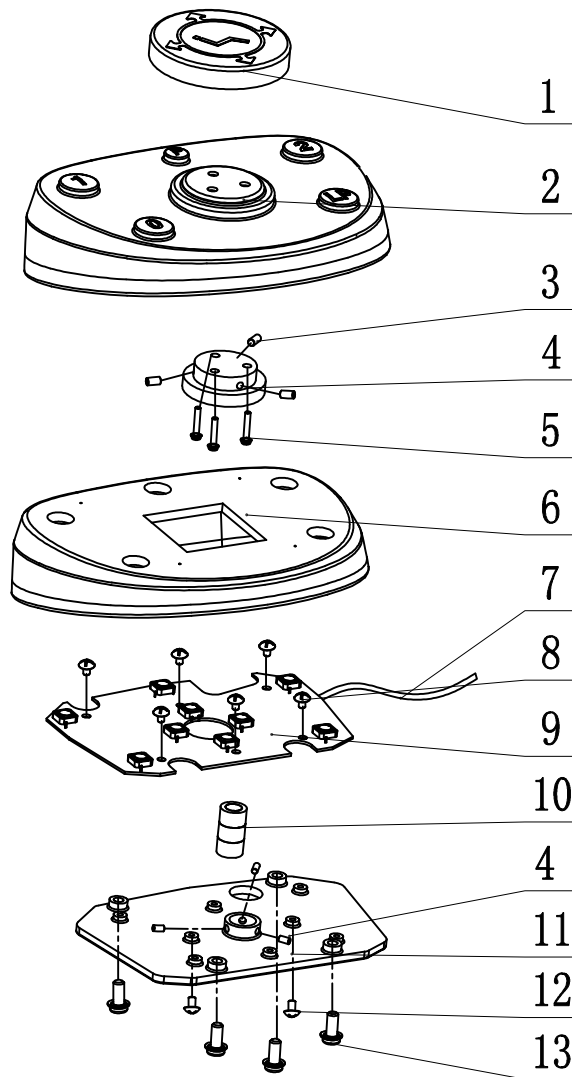
16YJ01-01A



No.	Material No.	Name	Quantity	Remark
1	8013729A	AJ16 Armrest Button II	2	
2	8011602A	AJ16 Armrest	2	
3	8004726A	O Ring of $\phi 48 \times \phi 3$	2	
4	8012094A	AJ16 Armrest Button Axis	2	
5	8012103B	AJ16 Armrest Spring ($\phi 1.2$)	2	
6	8012100A	Elastic Retaining Ring for $\phi 24$ Axis	2	
7	8012097A	AJ16 Armrest Limit Screw	2	
8	8021268A	M5*20 Stainless Steel Socket Head SEM Screw	4	
9	8012085C	AJ16 Armrest limit seat	2	
10	8013735A	Big Washer II of AJ16 Armrest	2	

Breakdown of FT-1 Electric Foot Control

15JT01-00A



No.	Material No.	Name	Quantity	Remark
1	8019057A	FT-1 Foot Control Ring		
2	8019069A	FT-1 Plastic Cover	1	
3	8012166A	M5*6 Socket Head Set Screw with Flat End	6	
4	8019060A	FT-1 Flanged Base of Foot Control Ring	1	
5	8021262A	M4*20 Stainless Steel Pan Head Philips SEM Screw	3	
6	8019063A	FT-1 Balancing Weight	1	
7	8020095B	AJAX Strong Foot Control Line	1	
8	8015112A	M4*8 Stainless Steel Truss Head Philips Screw	6	
9	8018619B	AJAX Foot Control Keypad I	1	
10	8019054A	FT-1 Buffer Bar	1	
11	8019066B	FT-1 Keypad Fixed Plate	1	
12	8016762A	M4*6 Stainless Steel Truss Head Philips Screw	2	
13	8021265A	M5*16 Stainless Steel Pan Head Philips SEM Screw	4	