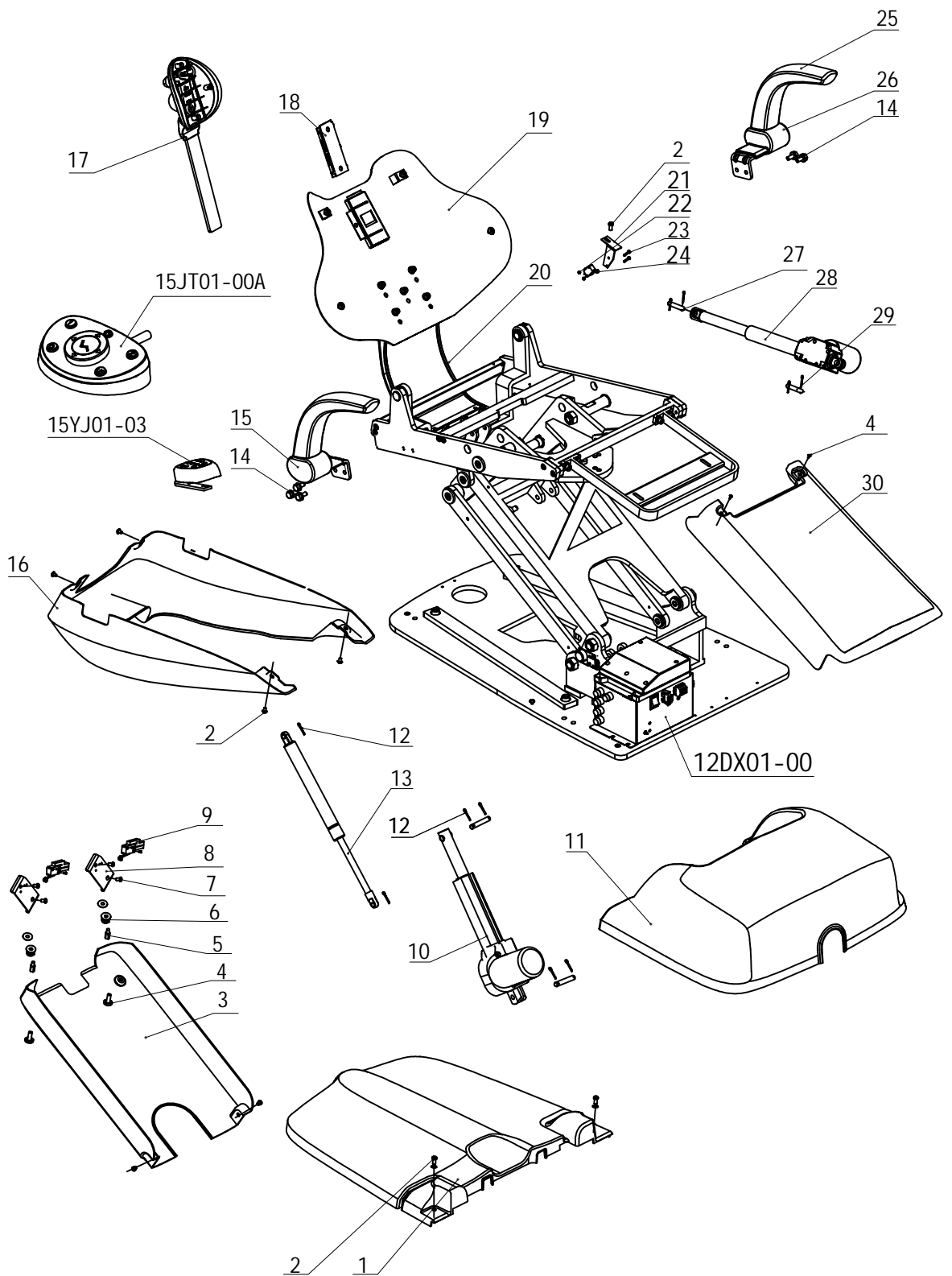


12US Classic100 Breakdown

12YJ01-00A



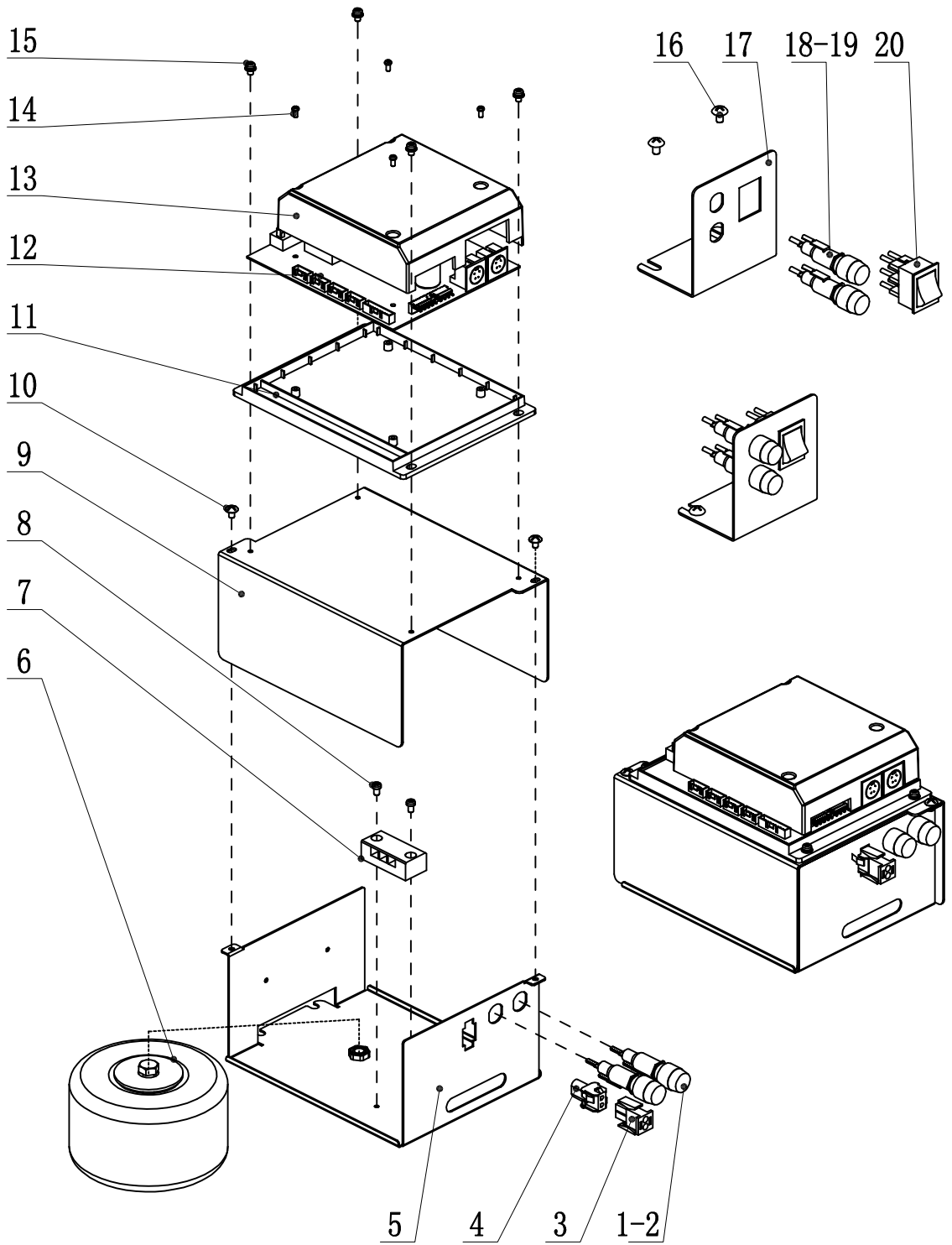
12US Classic100 Breakdown

12YJ01-00A

No.	Material No.	Name	Quantity	Remark
1	8017089A	1015 Back Shell I	1	
2	8015988A	M5*8 Stainless Steel Truss Head Philips Screw	6	
3	8017068A	1015 Lower Shell	1	
4	8020959A	M5*8 Stainless Steel Flat Head Screw	4	
5	8020956A	Stainless Steel Dental Joint	2	
6	8020950A	Safety Switch Spring %%C1.0	2	
7	8020965A	M5*20 Stainless Steel Pan Head Philips SEM Screw	4	
8	8020953A	Safety Switch Holder	2	
9	8017842B	Ajax sAfety Switch Wire	2	
10	8016168A	TA7-ED Lifting Motor(with Plastic Cover)	2	
11	8020209	12US Front Shell	1	
12	8001543A	φ2.5 Pivot Pin	8	
13	8010687A	Gas Spring	1	
14	8017425B	M8*25 Stainless Steel Socket Head 304 SEM Screw	6	
15	8025729A	Ajax Right Armrest Support	1	
16	8025216A	12US Cushion Shell 3	1	
17	8017905C	Headrest Bracket	1	
18	8021847A	Plastic Sheet of Headrest Bracket	1	
19	8017164D	1015 Metal Backrest	1	
20	8016963B	1015Backrest support rod	1	
21	8018277B	CF Limit Switch Support of Chair Frame	1	
22	8000193A	Limit Switch	2	
23	8001636A	M3*16 Stainless Steel Counter sunk Head Philips Screw	2	
24	8001609A	M3 Nut	2	
25	8013708D	Ajax Armrest	2	
26	8025726A	Ajax Left Armrest Support	1	
27	8017152A	55 Motor Pin	2	
28	8017005B	Backrest Motor	1	
29	8017155A	63 Motor Pin	2	
30	8017083A	1015 Upper Shell	1	

1217US Power Box BreakkdownS

12DX01-00A



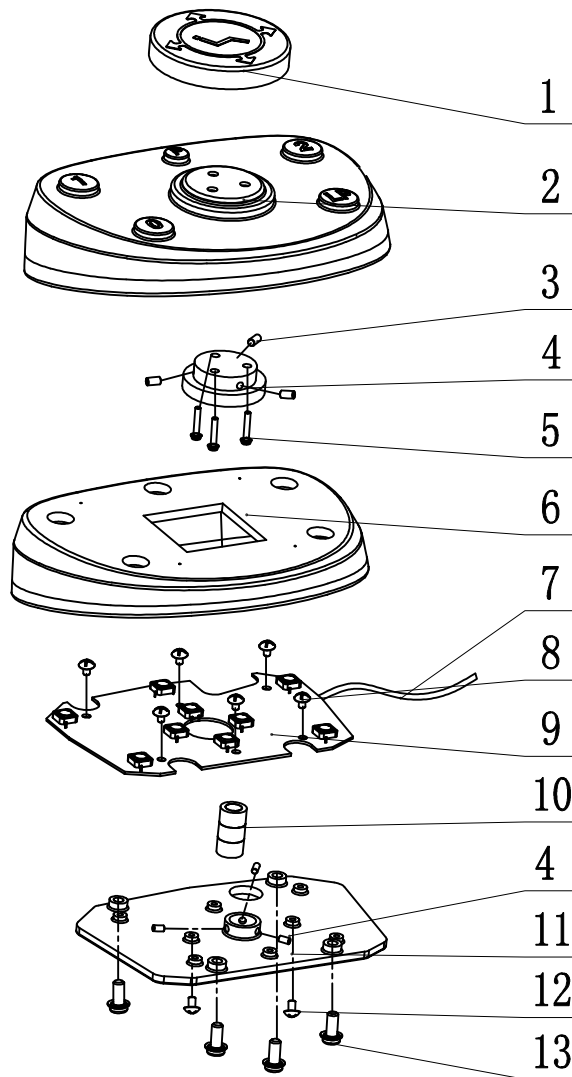
1217US Power Box BreakkdownS

12DX01-00A

No.	Material No.	Name	Quantity	Remark
1	8015022A	Fuse 6GFU-F10A250V	2	
2	8015025A	Fuseholder R3-53A	2	
3	8015076A	2 Ways Connectror(Green) B12630209	1	
4	8015079A	2 ways connectror(Green) B11630209	1	
5	8023611A	US Lower Shell II of Power Box	1	
6	8017902A	280w Transformer II	1	
7	8023626A	3-Ways Connector	1	
8	8001675A	M4*6 Stainless Steel Pan Head Philips Screw	2	
9	8023614A	US Upper Shell II of Power Box	1	
10	8016762A	M4*6 Stainless Steel Truss Head Philips Screw	2	
11	8022936A	Ajax Bottom Cover of Control Panel	1	
12	8015469B	Ajax Hydraulic Control Panel	1	
13	8022939A	Ajax Upper Cover of Control Panel	1	
14	8001714A	M4*8 Stainless Steel Pan Head Philips SEM Screw	4	
15	8018232A	ST3*10 Pan Head Self-tapping Philips Screw	4	
16	8015988A	M5*12 Stainless Steel Hex Philips SEM Screw	2	
17	8018976B	CF-4 Switch Holder	1	
18	8015022A	Fuse 6GFU-F10A250V	2	
19	8015025A	Fuseholder R3-53A	2	
20	8001375A	Power Switch	1	

Breakdown of FT-1 Electric Foot Control

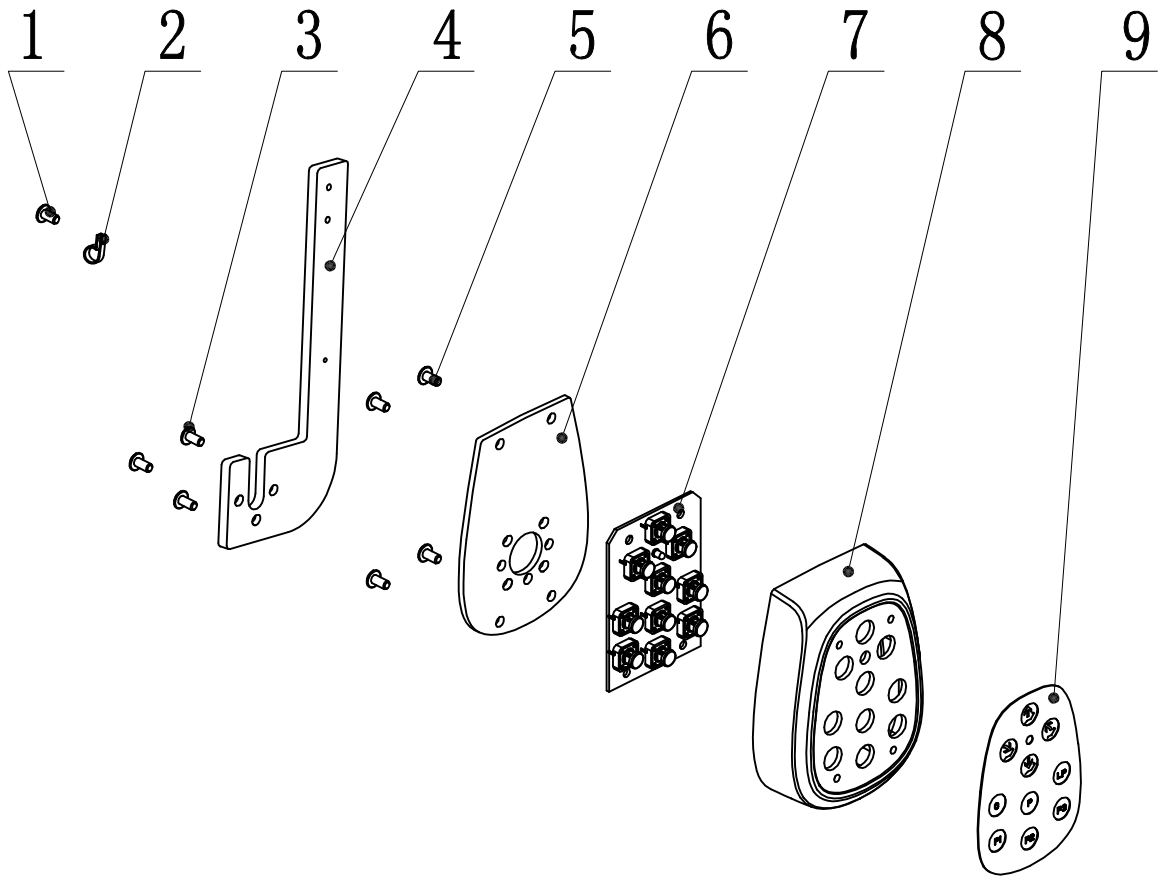
15JT01-00A



No.	Material No.	Name	Quantity	Remark
1	8019057A	FT-1 Foot Control Ring		
2	8019069A	FT-1 Plastic Cover	1	
3	8012166A	M5*6 Socket Head Set Screw with Flat End	6	
4	8019060A	FT-1 Flanged Base of Foot Control Ring	1	
5	8021262A	M4*20 Stainless Steel Pan Head Philips SEM Screw	3	
6	8019063A	FT-1 Balancing Weight	1	
7	8020095B	AJAX Strong Foot Control Line	1	
8	8015112A	M4*8 Stainless Steel Truss Head Philips Screw	6	
9	8018619B	AJAX Foot Control Keypad I	1	
10	8019054A	FT-1 Buffer Bar	1	
11	8019066B	FT-1 Keypad Fixed Plate	1	
12	8016762A	M4*6 Stainless Steel Truss Head Philips Screw	2	
13	8021265A	M5*16 Stainless Steel Pan Head Philips SEM Screw	4	

Assembly of CB-1 Control Box

15YJ01-03A



No.	Material No.	Name	Quantity	Remark
1	8001681A	M4*10 Stainless Steel Pan Head Philips SEM Screw	1	
2	8020464A	Wire buckle	1	
3	8001702A	M5*16 Stainless Steel Pan Head Philips SEM Screw	3	
4	8025732A	CB-1 Fixed Block of Control Box	1	
5	8015112A	M4*8 Stainless Steel Truss Head Philips Screw	4	
6	8018850C	CB-1 Control Box Baseplate	1	
7	8018616B	Ajax Main Keypad III	1	
8	8018871A	CB-1 Upper Shell	1	
9	8018844A	CB-1 ED Film	1	