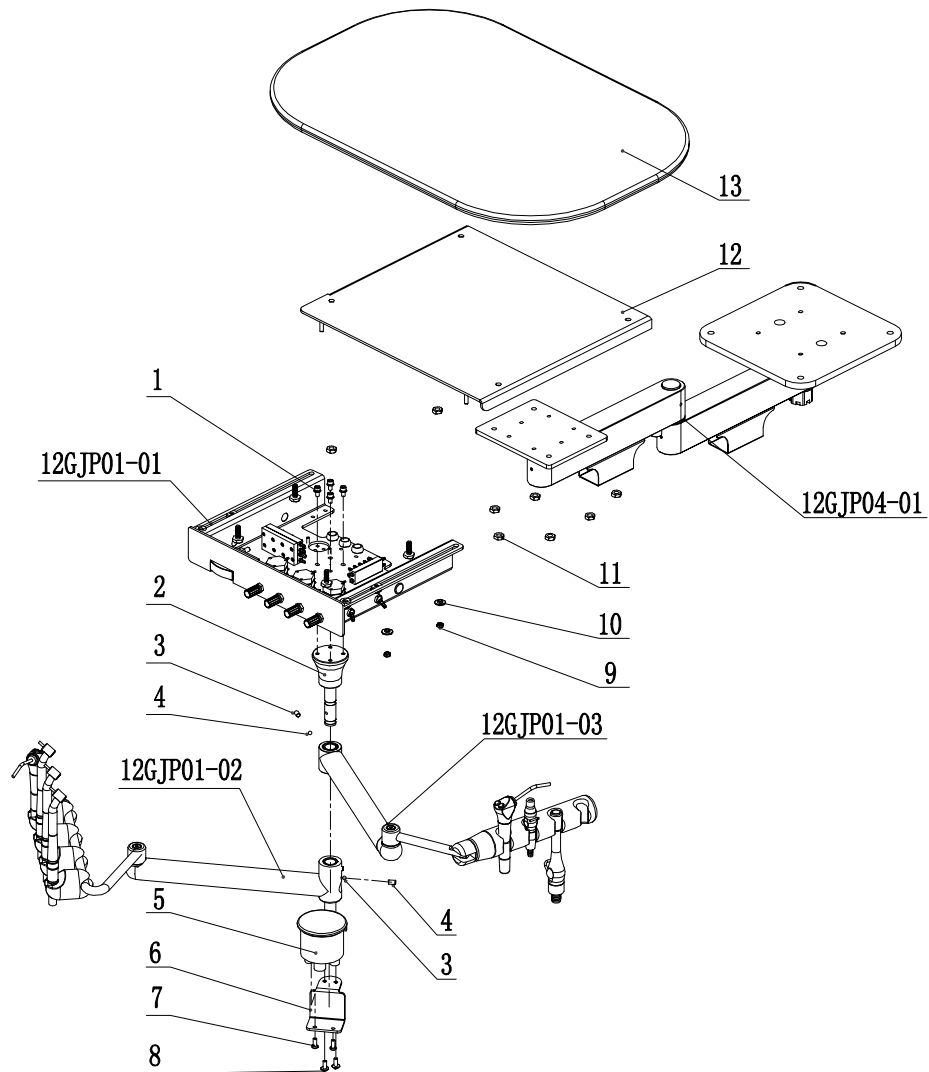
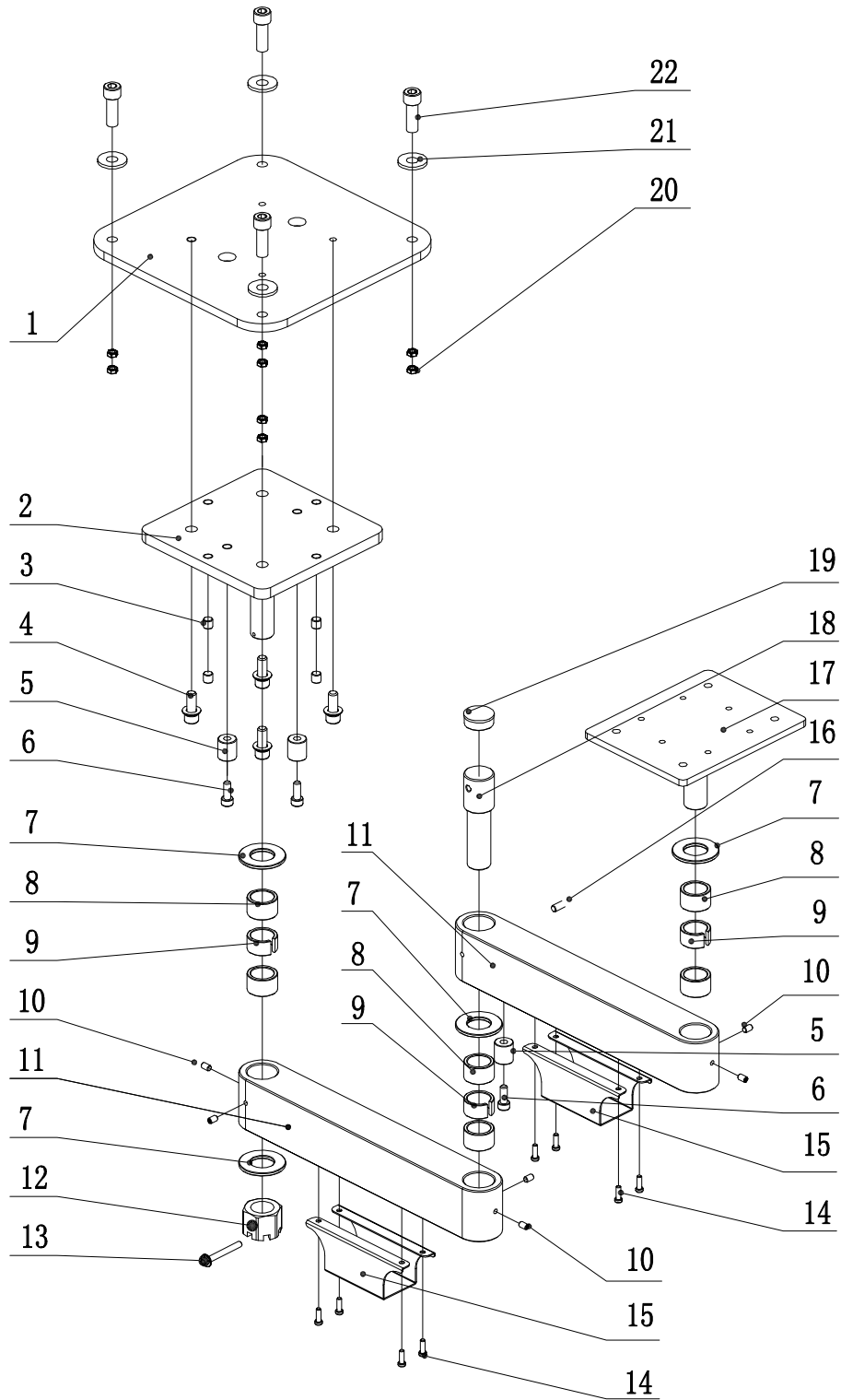


12 O'clock Rear delivery unit with arm and table

12GJP04-00A



No.	Part number	Name	Number	Remark
1	8020173A	M5*16 Stainless steel screw	4	
2	8023197A	DE-6 rotation rod fixed shaft	1	
3	8013801A	M6*8 set bolt (black)	2	
4	8023233A	φ5 steel ball	2	
5	8017272B	filter (Large straight out)	1	
6	8023230A	DE-6 filter fixed bracket	1	
7	8019912A	6#-32*3/8 Stainless steel screw	2	
8	8018076A	M5*12 Stainless steel screw	4	
9	8023248A	M5 stainless steel nut	4	
10	8023212A	DE-6 Flange	4	
11	8010444A	M6 stainless steel nut	8	
12	7008113	DE-6 connecting board	1	
13	7008116	DE-6 table-board	1	



12 O'clock Rear delivery unit with arm and table

12GJP04-01A

No.	Part number	Name	Number	Remark
1	7008104	DE-6 bracket fixed board	1	
2	7008101	DE-6 bracket fixed seat	1	
3	8011443A	M8*10 stainless steel screw	4	
4	8020848A	M8*20 stainless steel screw	4	
5	8012721A	AJ16 front rotation arm limit sleeve	3	
6	8001738A	M6*16 stainless steel screw	3	
7	7008083	DE-6 Φ 40X Φ 20X3 washer	4	
8	7008089	Needle roller bearing HK2016	6	
9	7008092	DE-6 Φ 26X Φ 20 copper sleeve	3	
10	8012166A	M5*6 set bolt	6	
11	7008086	DE-6 rotation arm I	2	
12	7008080	M20 nut	1	
13	8001543A	ϕ 2.5 Cotter pin	1	
14	8018076A	M5*12 stainless steel screw	8	
15	7008107	DE-6 rotation arm cover	2	
16	8020506A	M6*16 stainless steel screw	1	
17	7008110	DE-6 bracket rotation seat	1	
18	7008095	DE-6 Φ 20 rotation shaft	1	
19	7008098	20MM rubber end cap	1	
20	8001621A	M8 stainless steel nut	8	
21	7008593	Φ 8 large washer	4	
22	8020509A	M8*50 stainless steel screw	4	