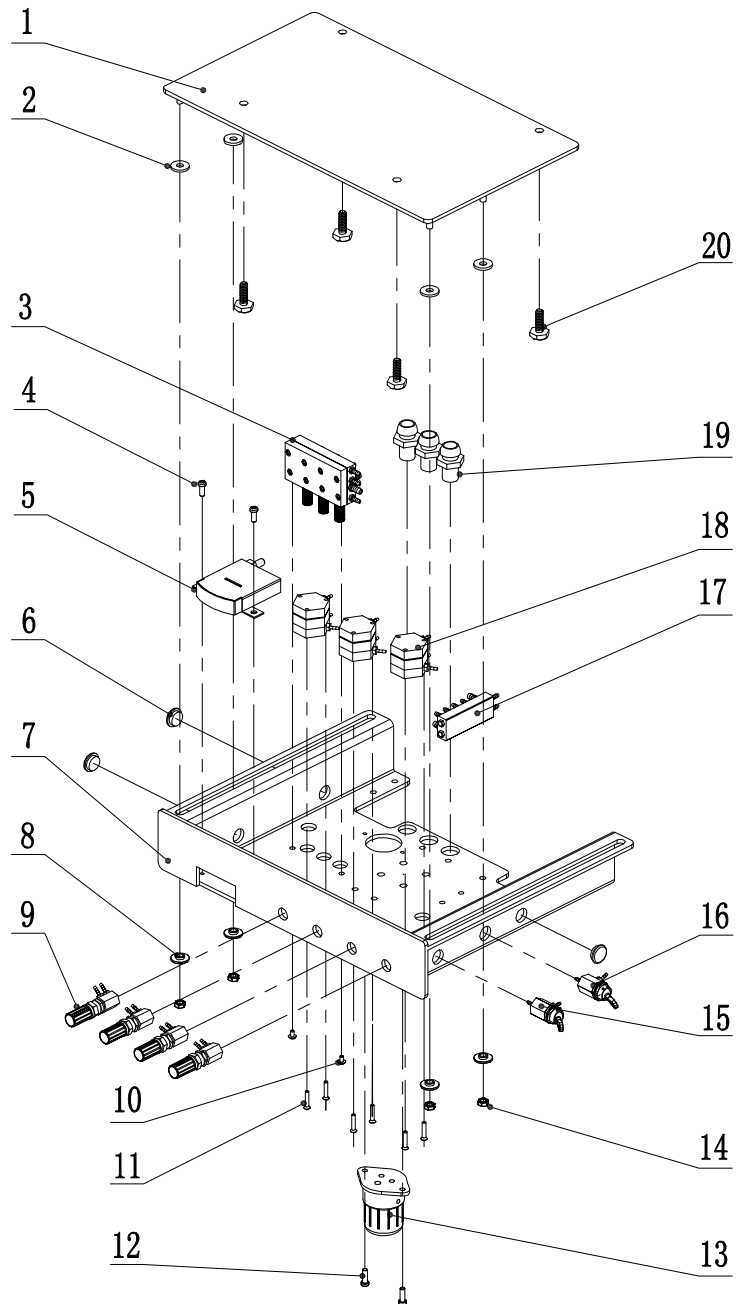


**Cabinet mount rear left/right swing delivery system**      12GJP02-00A

No.	Part number	Name	Number	Remark
1	8020173A	M5*16 Stainless steel screw	4	
2	8023197A	DE-6 rotation rod fixed shaft	1	
3	8013801A	M6*8 set bolt (black)	2	
4	8023233A	φ5 steel ball	2	
5	8017272A	filter (Large straight out)	1	
6	8023230A	DE-6 filter fixed bracket	1	
7	8019912A	6#-32*3/8 Stainless steel screw	2	
8	8018076A	M5*12 Stainless steel screw	2	
9	8018106A	Water filter regulator	1	
10	8018109A	Air filter regulator	1	
11	8018151A	copper cross	1	
12	8021664A	copper tee (φ2.4)	1	
13	8012193A	1/16*10-32 small mouth	4	
14	8018121A	1/8*10-32 big mouth	4	
15	8018157A	#10 washer	8	
16	8021709A	Threaded pipe inner diameter 5/8"	1	



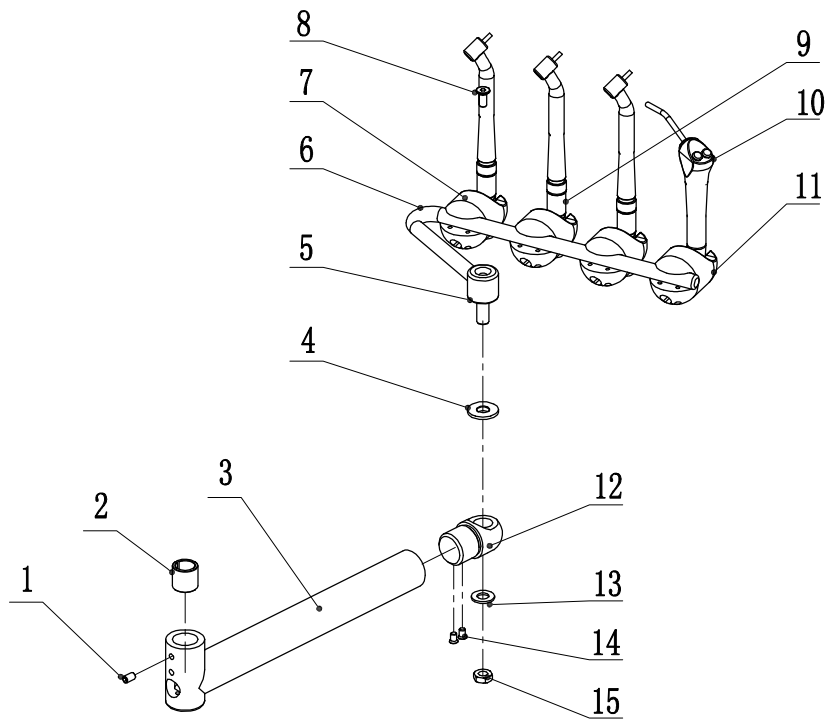
## Cabinet mount rear left/right swing delivery system

12GJP02-01A

No.	Part number	Name	Number	Remark
1	8023206A	DE-6 top cover	1	
2	8023209A	DE-6 top cover washer	4	
3	8011086A	Triple diaphragm valve (imperial unit nozzle)	1	
4	8018232A	M4*8 stainless steel screw	2	
5	8012211C	FB-80-120 square pressure gage	1	
6	8022450A	white silicone seal head $\Phi$ 12.5	3	
7	8023203A	DE-6 bottom shell	1	
8	8023212A	DE-6 Flange sleeve	4	
9	8012115A	Water regulating valve ( $\phi$ 2.4- $\phi$ 2.7)	4	
10	8001666A	M3*8 stainless steel screw	2	
11	8001636A	M3*16 stainless steel screw	6	
12	8022177A	M4*12 stainless steel screw	2	
13	8010612A	Sewage cup II	1	
13-1	8019525A	Sewage cup erasure spongia	1	
14	8023248A	M5 stainless steel nylon screw	4	
15	8022243A	3way wrench switch	1	
16	8022243A	wrench switch 2Way momentarily closed	1	
17	JS00277A	copper multi-pass component	1	
18	8011029B	hexagonal press water valve ( $\phi$ 2.4)	3	
19	8009913A	handpiece fixed sleeve	3	
20	8023239A	M6*25 flange cross hexagonal tapping	4	
21	8018151A	copper cross	1	
22	8017002A	$\phi$ 2.4- $\phi$ 2.4 one-way valve	3	
23	8008755C	Plastic tight ring $\phi$ 6.5	10	
24	8008764A	Plastic tight ring $\phi$ 3.5	50	

# Cabinet mount rear left/right swing delivery system

12GJP02-01A



No.	Part number	Name	Number	Remark
1	8013801A	M6*8 set bolt (black)	1	
2	8023200A	DE-6 copper bush φ16	1	
3	8023191A	DE-6 down rotation rod	1	
4	8023218A	DE-6 hanger rod washer	1	
5	8023245A	DE-6 hanger fixed shaft	1	
6	8023224A	DE-6 long hanger rod	1	
7	8018835A	circular hanger with control (normally open valve)	3	
9	8012757A	4 holes handpiece pipe (silcryn)	3	
	8015334B	4 holes handpiece sleeve cap	3	
	8015331A	4 holes handpiece connector	3	
10	8011428A	DCI elbow syringe	1	
11	8018838A	circular hanger (white)	1	
12	8023194A	DE-6 hanger seat	1	
13	8023218A	DE-6 hanger rod washer	1	
14	8010489A	M5*12 stainless steel screw	2	
15	8023236A	M10 stainless steel screw	1	