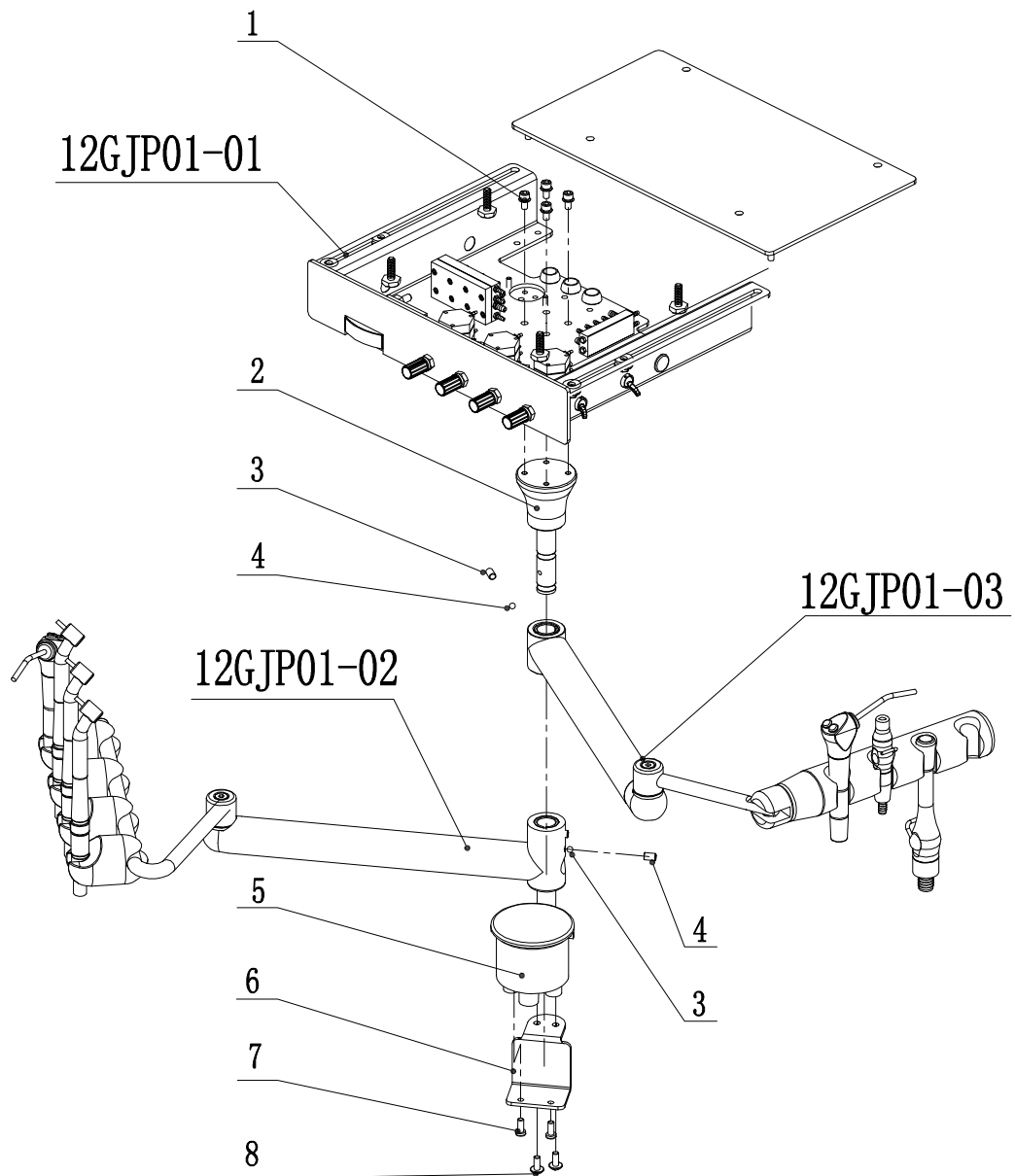
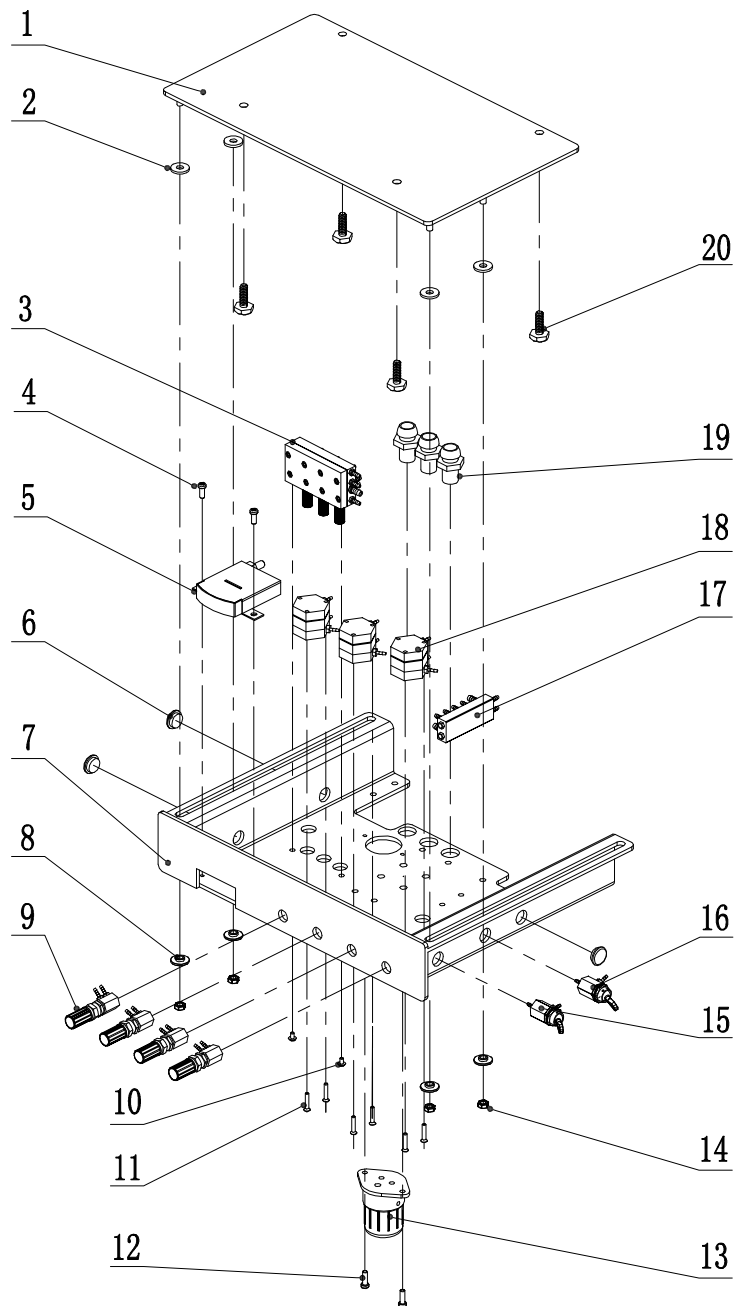


Cabinet mount rear left/right swing delivery system

12GJP01-00A



| No. | Part number | Name | Number | Remark |
|-----|-------------|---------------------------------|--------|--------|
| 1 | 8020173A | M5*16 Stainless steel screw | 4 | |
| 2 | 8023197A | DE-6 rotation rod fixed shaft | 1 | |
| 3 | 8013801A | M6*8 set bolt (black) | 2 | |
| 4 | 8023233A | φ5 steel ball | 2 | |
| 5 | 8017272B | filter (Large straight out) | 1 | |
| 6 | 8023230A | DE-6 filter fixed bracket | 1 | |
| 7 | 8019912A | 6#-32*3/8 Stainless steel screw | 2 | |
| 8 | 8018076A | M5*12 Stainless steel screw | 4 | |

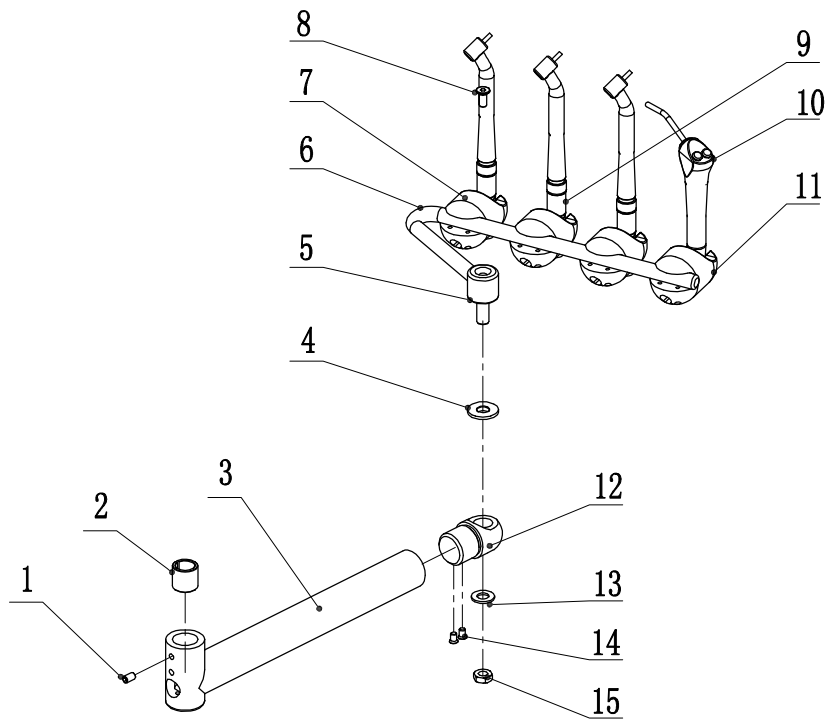


Cabinet mount rear left/right swing delivery system 12GJP01-01A

| No. | Part number | Name | Number | Remark |
|------|-------------|--|--------|--------|
| 1 | 8023206A | DE-6 top cover | 1 | |
| 2 | 8023209A | DE-6 top cover washer | 4 | |
| 3 | 8011086A | Triple diaphragm valve (imperial unit nozzle) | 1 | |
| 4 | 8018232A | M4*8 stainless steel screw | 2 | |
| 5 | 8012211C | FB-80-120 square pressure gage | 1 | |
| 6 | 8022450A | white silicone seal head $\Phi 12.5$ | 3 | |
| 7 | 8023203A | DE-6 bottom shell | 1 | |
| 8 | 8023212A | DE-6 Flange sleeve | 4 | |
| 9 | 8012115A | Water regulating valve ($\phi 2.4-\phi 2.7$) | 4 | |
| 10 | 8001666A | M3*8 stainless steel screw | 2 | |
| 11 | 8001636A | M3*16 stainless steel screw | 6 | |
| 12 | 8022177A | M4*12 stainless steel screw | 2 | |
| 13 | 8010612A | Sewage cup II | 1 | |
| 13-1 | 8019525A | Sewage cup erasure spongia | 1 | |
| 14 | 8023248A | M5 stainless steel nylon screw | 4 | |
| 15 | 8022243A | 3way wrench switch | 1 | |
| 16 | 8022243A | wrench switch 2Way momentarily closed | 1 | |
| 17 | JS00277A | copper multi-pass component | 1 | |
| 18 | 8011029B | hexagonal press water valve ($\phi 2.4$) | 3 | |
| 19 | 8009913A | handpiece fixed sleeve | 3 | |
| 20 | 8023239A | M6*25 flange cross hexagonal tapping | 4 | |
| 21 | 8018151A | copper cross | 1 | |
| 22 | 8017002A | $\phi 2.4-\phi 2.4$ one-way valve | 3 | |
| 23 | 8008755C | Plastic tight ring $\phi 6.5$ | 10 | |
| 24 | 8008764A | Plastic tight ring $\phi 3.5$ | 50 | |

Cabinet mount rear left/right swing delivery system

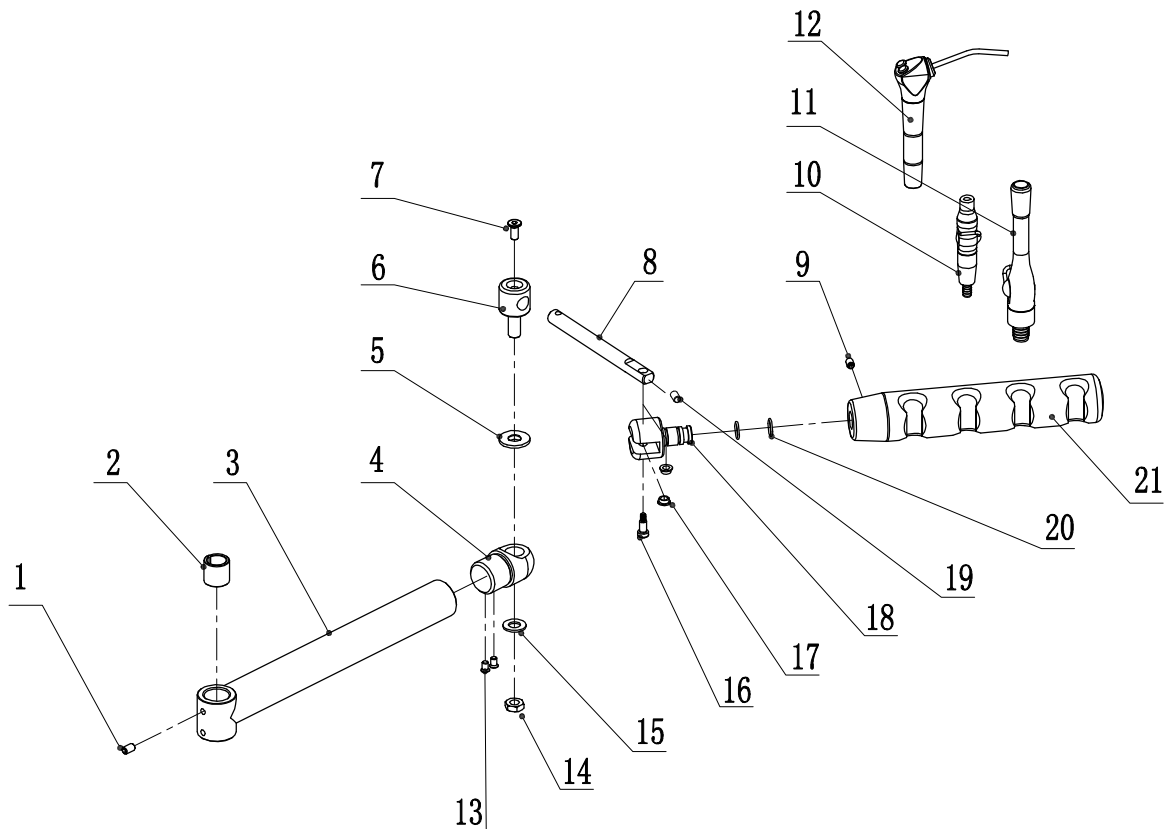
12GJP01-02A



| No. | Part number | Name | Number | Remark |
|-----|-------------|--|--------|--------|
| 1 | 8013801A | M6*8 set bolt (black) | 1 | |
| 2 | 8023200A | DE-6 copper bush φ16 | 1 | |
| 3 | 8023191A | DE-6 down rotation rod | 1 | |
| 4 | 8023218A | DE-6 hanger rod washer | 1 | |
| 5 | 8023245A | DE-6 hanger fixed shaft | 1 | |
| 6 | 8023224A | DE-6 long hanger rod | 1 | |
| 7 | 8018835A | circular hanger with control (normally open valve) | 3 | |
| 9 | 8012757A | 4 holes handpiece pipe (silcryn) | 3 | |
| | 8015334B | 4 holes handpiece sleeve cap | 3 | |
| | 8015331A | 4 holes handpiece connector | 3 | |
| 10 | 8011428A | DCI elbow syringe | 1 | |
| 11 | 8018838A | circular hanger (white) | 1 | |
| 12 | 8023194A | DE-6 hanger seat | 1 | |
| 13 | 8023218A | DE-6 hanger rod washer | 1 | |
| 14 | 8010489A | M5*12 stainless steel screw | 2 | |
| 15 | 8023236A | M10 stainless steel screw | 1 | |

Cabinet mount rear left/right swing delivery system

12GJP01-03A



| No. | Part number | Name | Number | Remark |
|-----|-------------|--|--------|--------|
| 1 | 8013801A | M6*8 set bolt (black) | 1 | |
| 2 | 8023200A | DE-6 copper bush φ16 | 1 | |
| 3 | 8023188A | DE-6 upper rotation rod | 1 | |
| 4 | 8023194A | DE-6 hanger seat | 1 | |
| 5 | 8023218A | DE-6 hanger rod washer | 1 | |
| 6 | 8023245A | DE-6 hanger fixed shaft | 1 | |
| 7 | 8020506A | M6*16 stainless steel screw | 1 | |
| 8 | 8023227A | DE-6 short hanger rod | 1 | |
| 9 | 8020032A | M6x10 jackscrew (with nylon head) | 1 | |
| 10 | 8012859B | metal with switch small hand grip(φ6.5) | 1 | |
| | 8000778C | silicone pipe φ10*φ6*1700 | 1 | |
| | 8016948B | silicone pipe adapter sleeve φ11.5*φ9.7*10 | 1 | |
| 11 | 8012856A | metal with switch long hand grip | 1 | |
| | 8016966B | silicone pipe φ16*φ10*1700 | 1 | |
| 12 | 8011428A | DCI elbow syringe | 1 | |
| 13 | 8010489A | M5*12 stainless steel screw | 2 | |
| 14 | 8023236A | M10 stainless steel nylon screw | 1 | |
| 15 | 8023218A | DE-6 hanger rod washer | 1 | |
| 16 | 8021841A | φ6*16*M5 set screw | 1 | |
| 17 | 8021829A | AS-5 straight rod shaft sleeve | 2 | |
| 18 | 8020014C | AS-5 assistant shell rotation shaft | 1 | |
| 19 | 8021145A | M6x5 set screw | 1 | |
| 20 | 8017212A | φ12*φ1.5 Metric O-ring | 2 | |
| 21 | 8020008B | AS-5 assistant shell | 1 | |