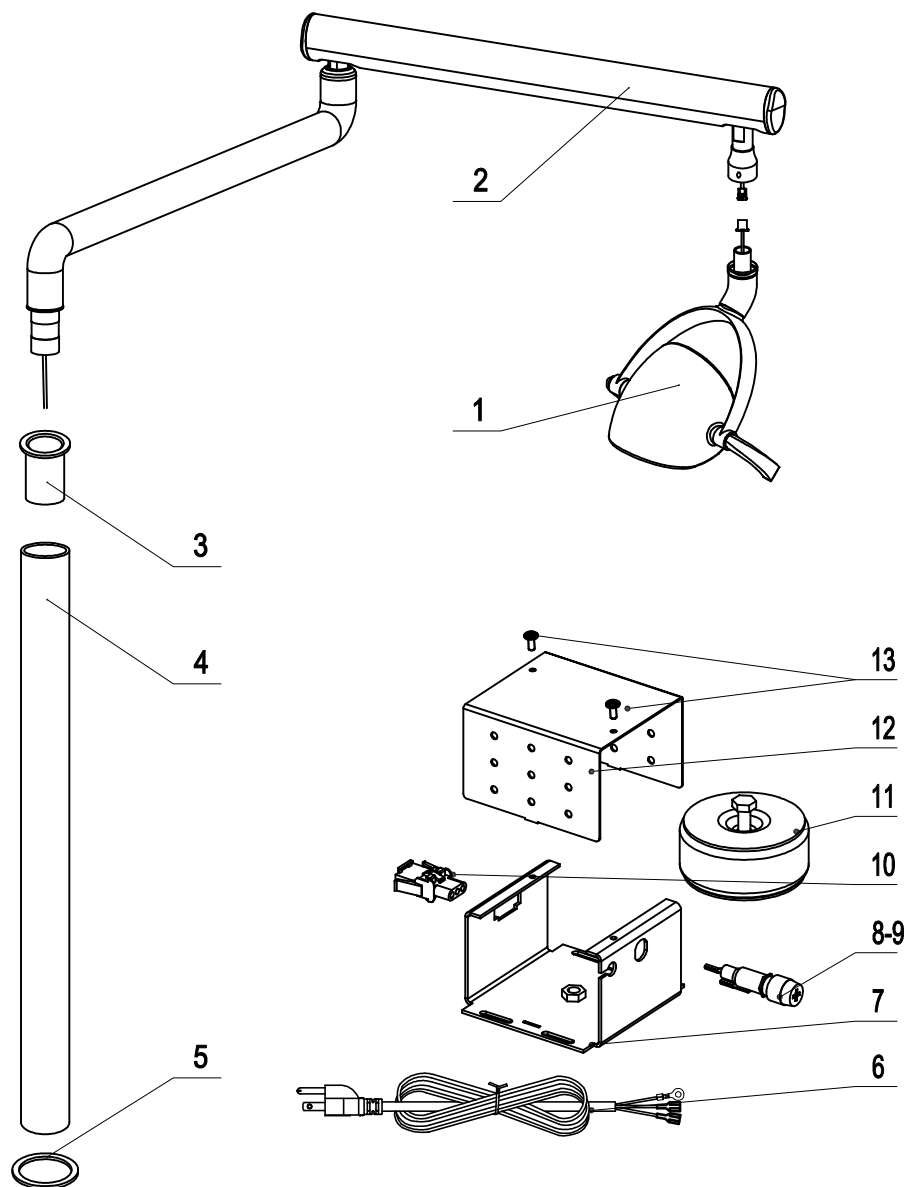


# Post mount (30") Whale LED Light Parts list

100KQD01-00A



No.	Material No.	Name	Quantity	Remark
1	8013552C	Whale dental light	1	
2	8013558E	light arm	1	
3	8024115A	φ45.7/1-3/8 bushing	1	
4	8019042C	Intermediate post 750	1	
5	8018925A	Φ52 Plane washer	1	
6	8020503A	Power Cord	1	
7	8020560B	Lower Shell of Power Box	1	
8	8015025A	Fuseholder R3-53A	1	
9	8015019A	6GFU-F6A250V Fuse	1	
10	8015040A	2 Ways Block (DMTF250)	1	
11	8020563A	30VA Transformer	1	
12	8020557A	Upper Shell of Power Box	1	
13	8016762A	M4*6 Stainless Steel Truss Head Philips Screw	2	