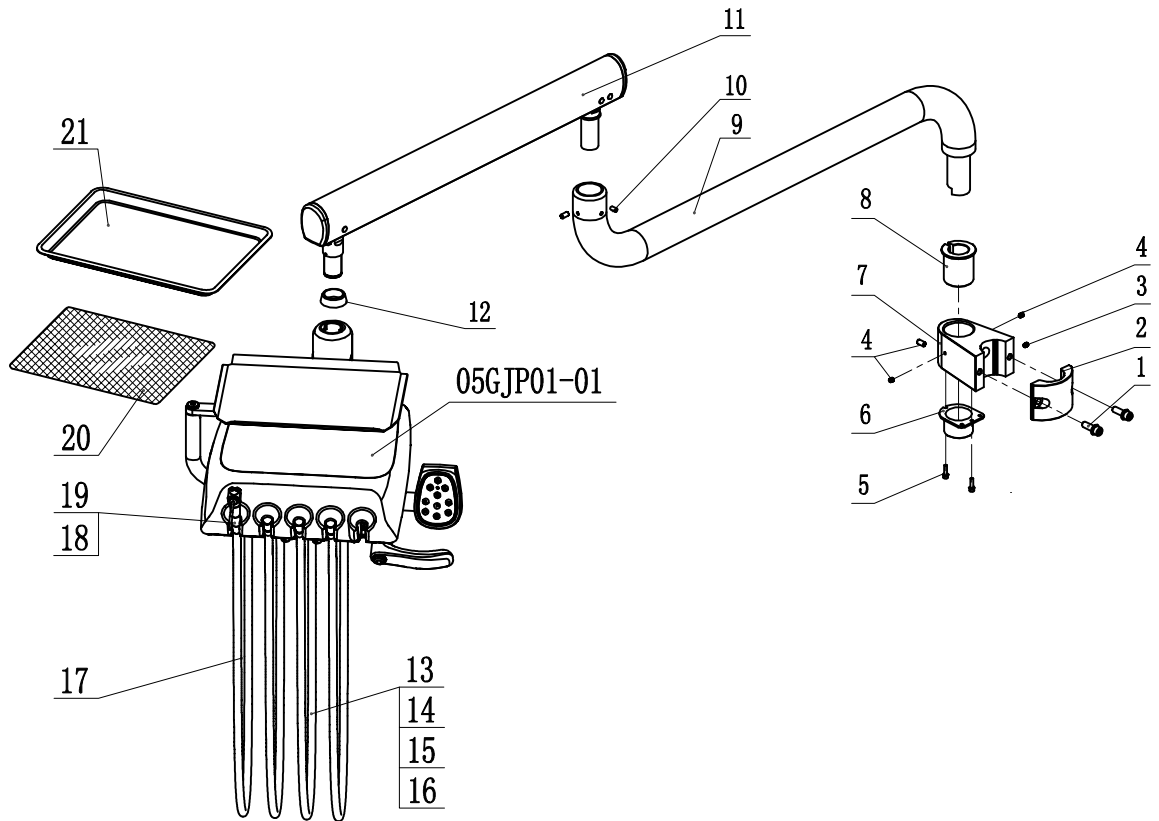


Classic Instrument Tray Breakdown

05GJP03-00A



No.	Part number	Name	Number	Remark
1	8001774A	M10*25 stainless steel screw	2	
2	8024568A	CM-1 Rear clamp	1	
3	8019444A	M6*16 stainless steel set bolt	1	
4	8011437A	M6*6 stainless steel set bolt	3	
5	8016660A	M6*20 stainless steel screw	2	
6	7006547	CM-1 Outer tube bracket	1	
7	8024562A	CM-1 front Clamp block	1	
8	7006541	CM-1 Damping sleeve	1	
9	8018910B	φ51 Horizontal Arm	1	
10	8013801A	M6*8 Socket Head Set Screw	3	
11	8010483D	Balance Arm II (φ30)	1	
12	8021601A	DE Rotation Shaft of Bracket	1	
13	8015334B	Coupling Head of 4 Hole Handpiece Hose	1*3	
14	8015331A	Connector of 4 Hole Handpiece Hose	1*3	
15	8012757A	Tube of 4 Hole Handpiece Hose (Silcryn)	1*3	
16	8016216A	φ5.8 Copper Bush	1*3	
17	8018652A	Hose of 2 Hole 3-way Syringe	1.5	
18	8011428A	3-way Syringe	1	
19	8005287A	3-way Syringe Nozzle	1	
20	8021865A	Stainless Steel Tray 346*252	1	
21	8022201B	PVC Latex Non-slip Pad	1	