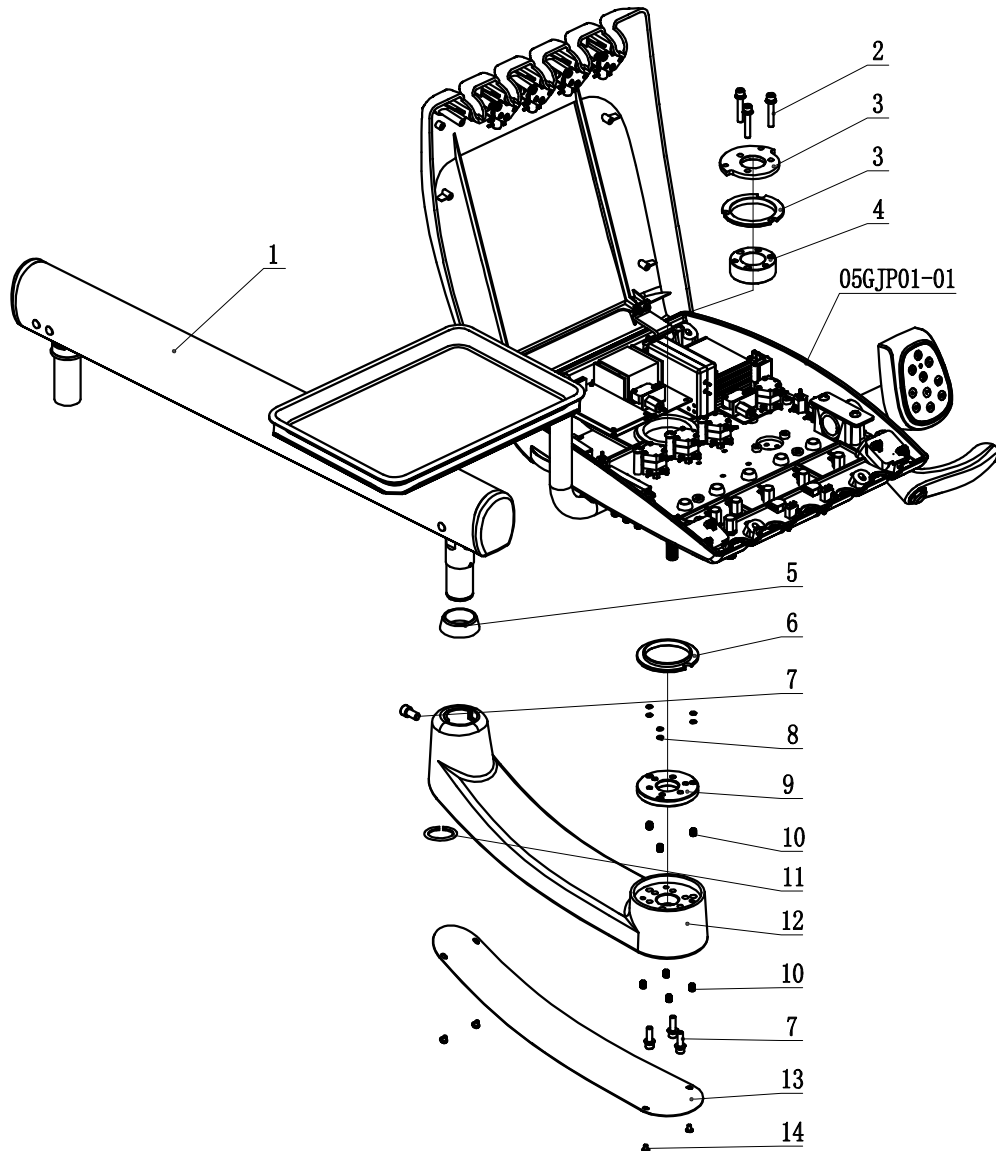
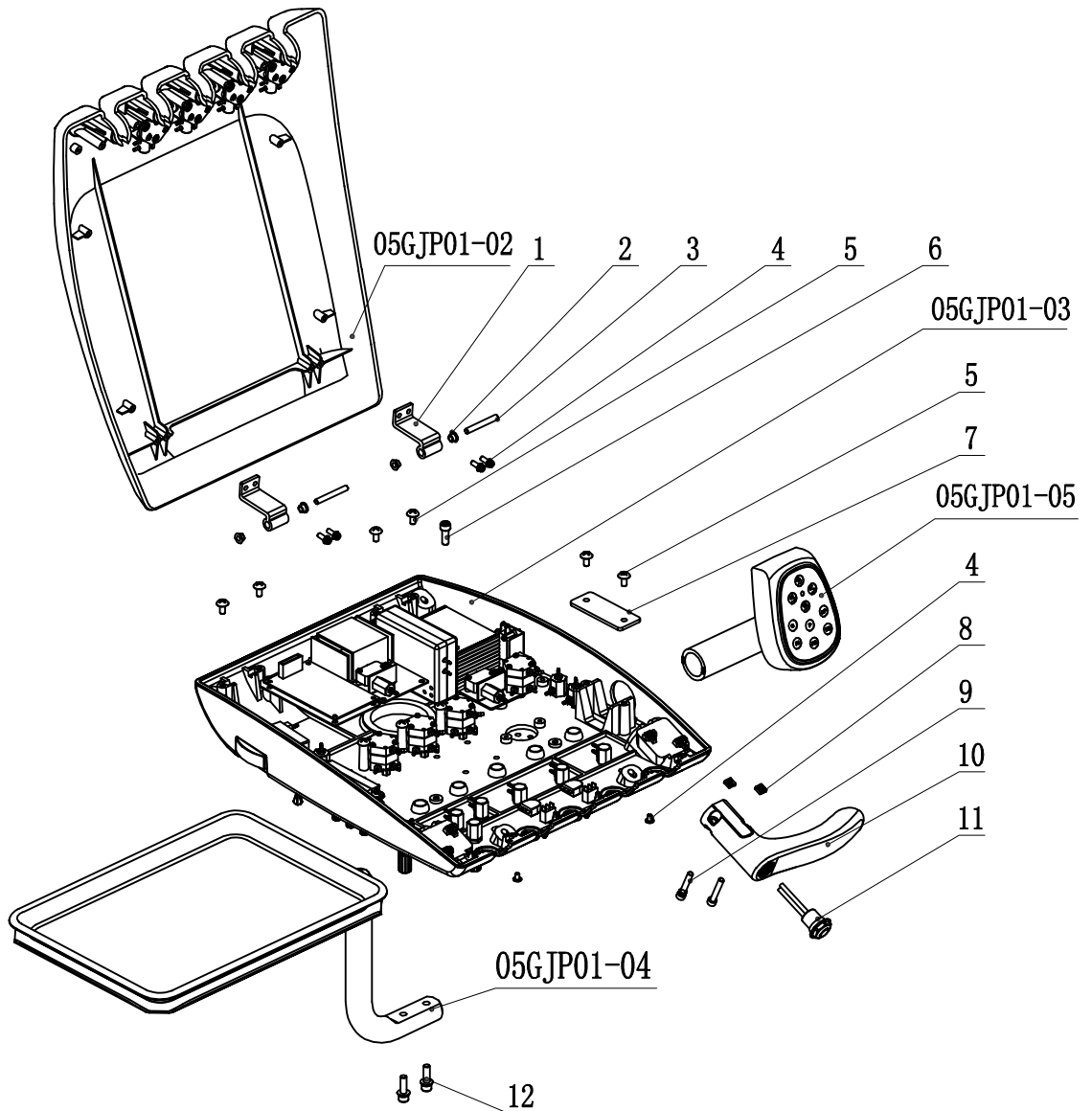


DE-5 Beyond HangingType Doctor's Delivery System

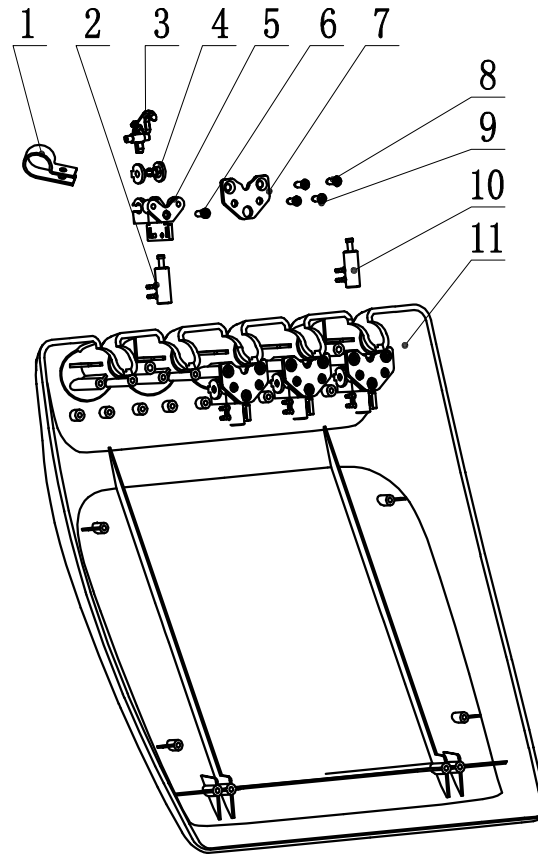
05GJP01-00



No.	Material No.	Name	Quantity	Remark
1	8010483C	Balance Arm II (φ30)	1	
2	8022171A	M6*35 Stainless Steel Socket Head SEM Screw	3	
3	8021598A	DE Bracket Caps	1	
4	8022093A	DE Upper Washer of Rotation Shaft	1	
5	8021601A	DE Rotation Shaft of Bracket	1	
6	8022096A	DE-3 Lower Washer oof Rotation Shaft	1	
7	8016660A	M6*20 Stainless Steel Socket Head SEM Screw	4	
8	8022099A	M3 Spring Washer	6	
9	8022102A	DE Leveling Block of Instrument Tray	1	
10	8006037A	M6*8 Stainless Steel Socket Head Set Screw	8	
11	8001552B	φ30 Lower Washer	1	
12	8022105A	DE Aluminum Bracket of Instrument Tray	1	
13	8022108A	DE Bottom Cover of Aluminum Bracket	1	
14	8016762A	M4*6 Stainless Steel Truss Head Philips Screw	1	



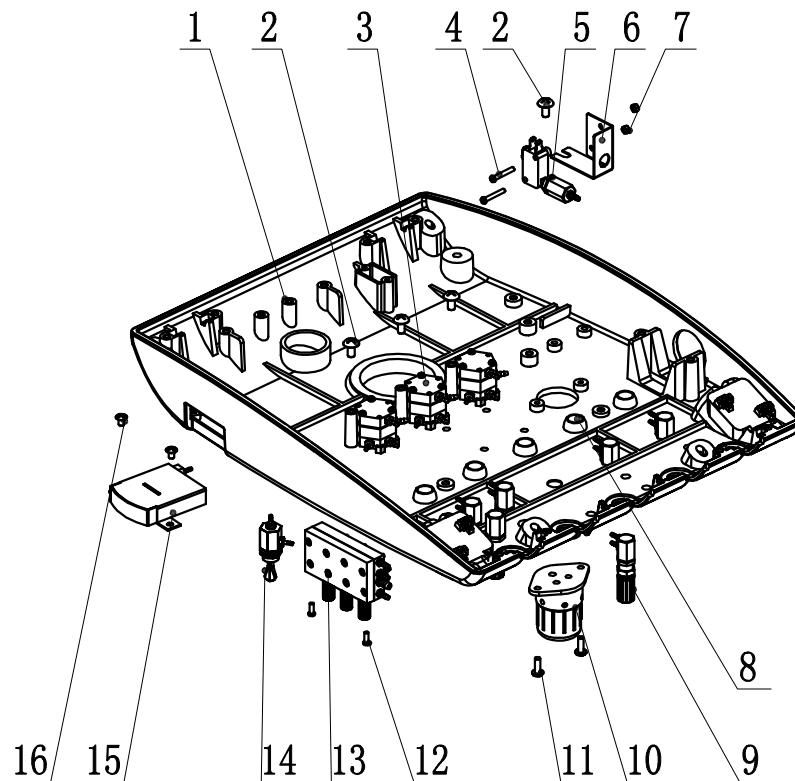
No.	Material No.	Name	Quantity	Remark
1	8021400A	DE-5 Rotation Base of Upper Shell	2	
2	8022162A	GFM-050709-05 Flange Bearing	4	
3	8022165A	5*40 Stainless Steel Pin Straight Pin	2	
4	8022174A	M4*12 Stainless Steel Pan Head Philips SEM Screw	6	
5	8015988A	M5*8 Stainless Steel Truss Head Philips Screw	6	
6	8009403A	M5*10 Stainless Steel Socket Head Screw	1	
7	8022168A	DE Pressing Plate of Key pad	1	
8	8022090A	Air Switch (φ2.4)	2	
9	8022180A	AJ16 Handle	2	
10	8011932B	M5*8*4 Stainless Steel Square Nut	1	
11	8011023B	M5*30 Stainless Steel Socket Head SEM Screw	1	
12	8016660A	M6*20 Stainless Steel Socket Head SEM Screw	2	



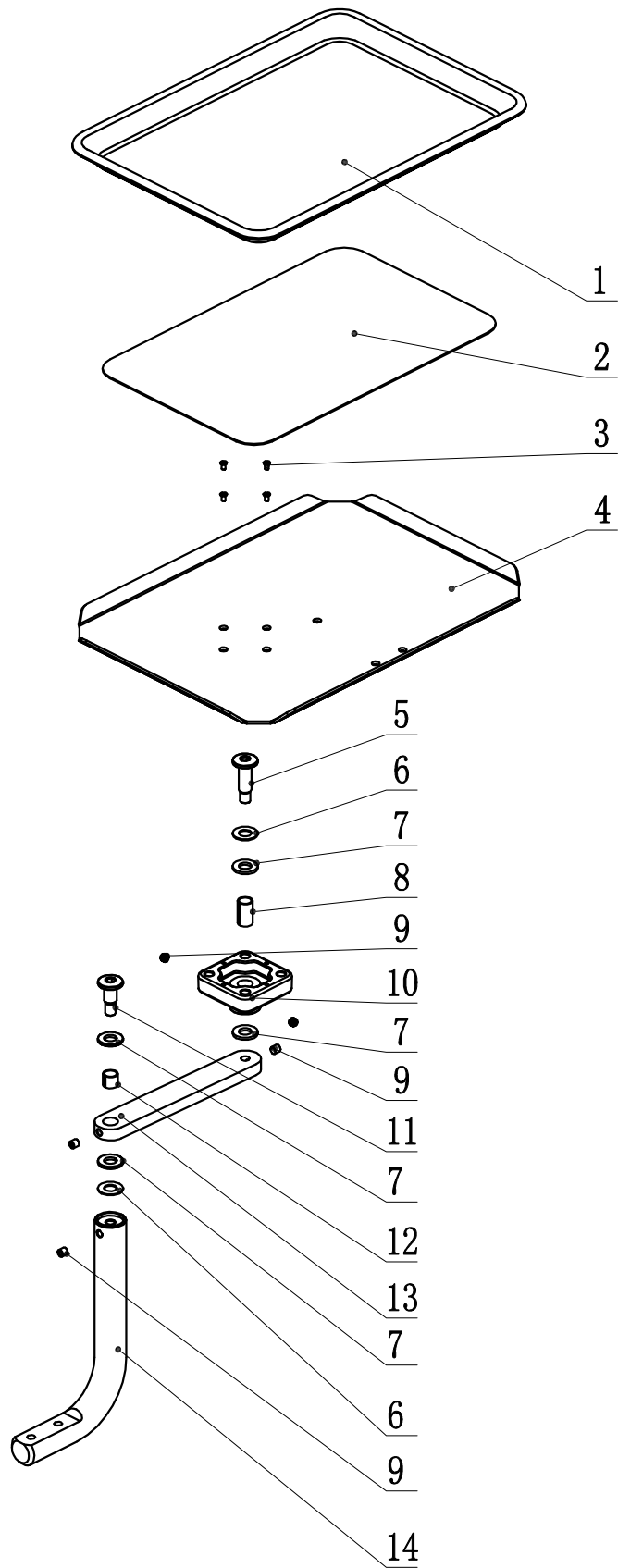
No.	Material No.	Name	Quantity	Remark
1	8019039A	R Linear Buckle AD18.5	3	
2	8011008B	Switch Valve of Hanger (φ2.4)	1	
3	8013525B	Ajax Rotation Shaft of Holding Bracket	4	
4	8015670A	Ajax Fixed Sleeve	8	
5	8013522B	Ajax Valve Holder Base	4	
6	8001681A	M4*10 Stainless Steel Pan Head Philips Screw	4	
7	8022111A	DE-5 Mounting Plate	4	
8	8022234A	ST4*16 Stainless Steel Counter Sunk Head Self-tapping Philips Screw	8	
9	8014182B	ST4*12 Stainless Steel Pan Head Self-tapping Philips Screw (304)	8	
10	8011011B	Valve of Small Bracket (φ2.4) (Normally Open)	3	
11	8021625A	DE-5 Upper Shell	1	

DE-5 Beyond Hanging Type Doctor's Delivery System

05GJP01-03



No.	Material No.	Name	Quantity	Remark
1	8021607B	DE Bottom Cover of Instrument Tray	1	
2	8015988A	M5*8 Stainless Steel Truss Head Philips Screw	4	
3	8011029B	Hex Pressure Valve (φ2.4)	3	
4	8008056A	M3*16 Stainless Steel Pan Head Philips Screw	2	
5	8011026B	Electric Air Control Valve	1	
6	8022120A	DE Electric Air Control Valve Bracket	1	
7	8001609A	M3 Stainless Steel Nut	2	
8	8009913A	Fixed Sleeve of Handpiece Hose	5	
9	8012196A	Water Adjustable Knob (φ2.4-φ2.4)	6	
10	8010612A	Waste Collector II	1	
11	8022177A	M4*12 Stainless Steel Truss Head Philips Screw	2	
12	8021799A	M3*8 Stainless Steel Truss Head Philips Screw	2	
13	8011086A	3-way Control Block	1	
14	8022243A	3-way Spanner Switch	1	
15	8012211C	FB-80-120 Square Rectangular Gauge	1	
16	8016762A	M4*6 Stainless Steel Truss Head Philips Screw	2	

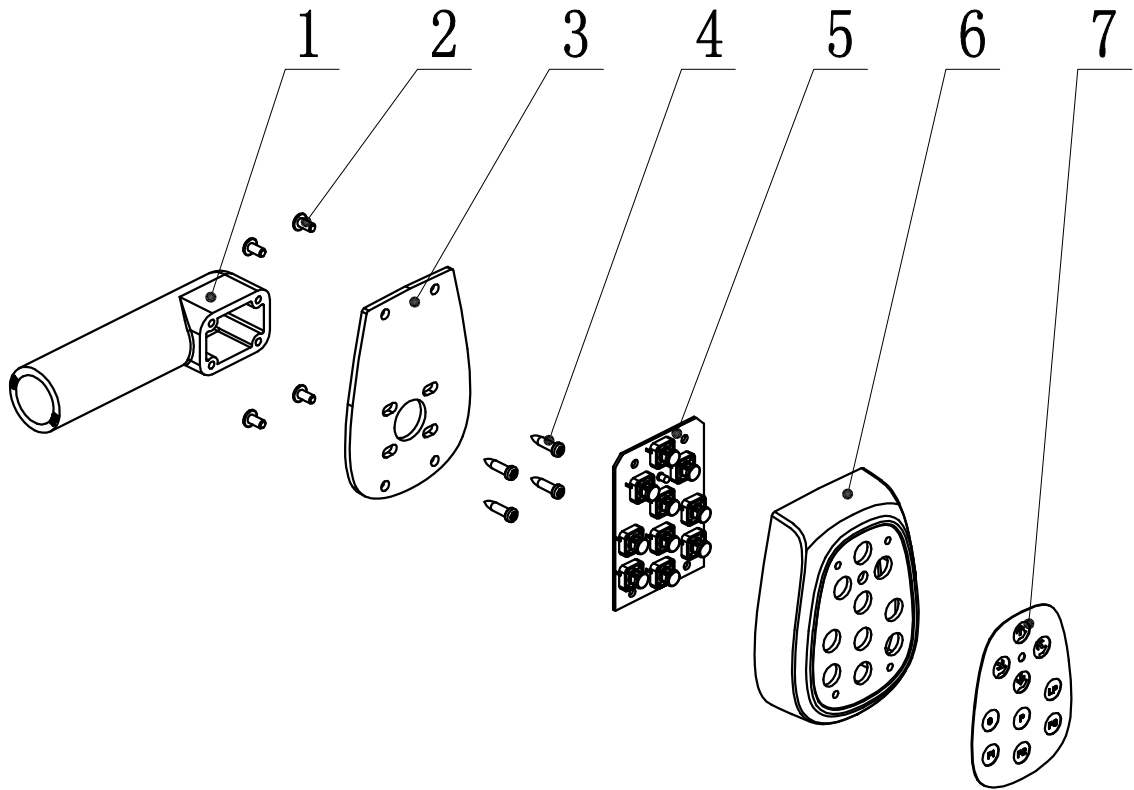


DE-5 Beyond HangingType Doctor's Delivery System**05GJP01-04**

No.	Material No.	Name	Quantity	Remark
1	8021865A	Stainless Steel Tray 346*252	1	
2	8022201B	PVC Latex Non-slip Pad	1	
3	8010039A	M3*10 Stainless Steel Counter sunk Head Philips Screw	4	
4	8022123A	300*210 Metal Tray	1	
5	8022126A	DE Screw of Tray Post	1	
6	8022129A	A Type Spring Washer 20*10.2*1.1	2	
7	8022132A	Plastic Washer M10*20*2	4	
8	8022135A	SF-1 Oilless Bearing 10*12*20	1	
9	8011437A	M6*6 Stainless Steel Socket Head Set Screw	5	
10	8021583A	DE Rotatory Base of Post Mounted Tray	1	
11	8022138A	DE Short Screw	1	
12	8022141A	SF-1 Oilless Bearing 10*12*20	1	
13	8022144A	DE-5 Rotating Arm	1	
14	8022147A	DE-5 Fixed Post of Tray	1	

Beyond Instrument Tray Breakdown

05GJP01-05



No.	Material No.	Name	Quantity	Remark
1	8021616A	CB Fixed Post	1	
2	8015112A	M4*8 Stainless Steel Truss Head Philips Screw	4	
3	8018850B	CB-1 Base Plate of Control Box	1	
4	8003766A	ST4*16 Stainless Steel Pan Head Self-tapping Philips Screw	4	
5	8018616B	Ajax Main Keypad III	1	
6	8018871A	CB-1 Upper Shell	1	
7	8018844A	CB-1 ED Film	1	