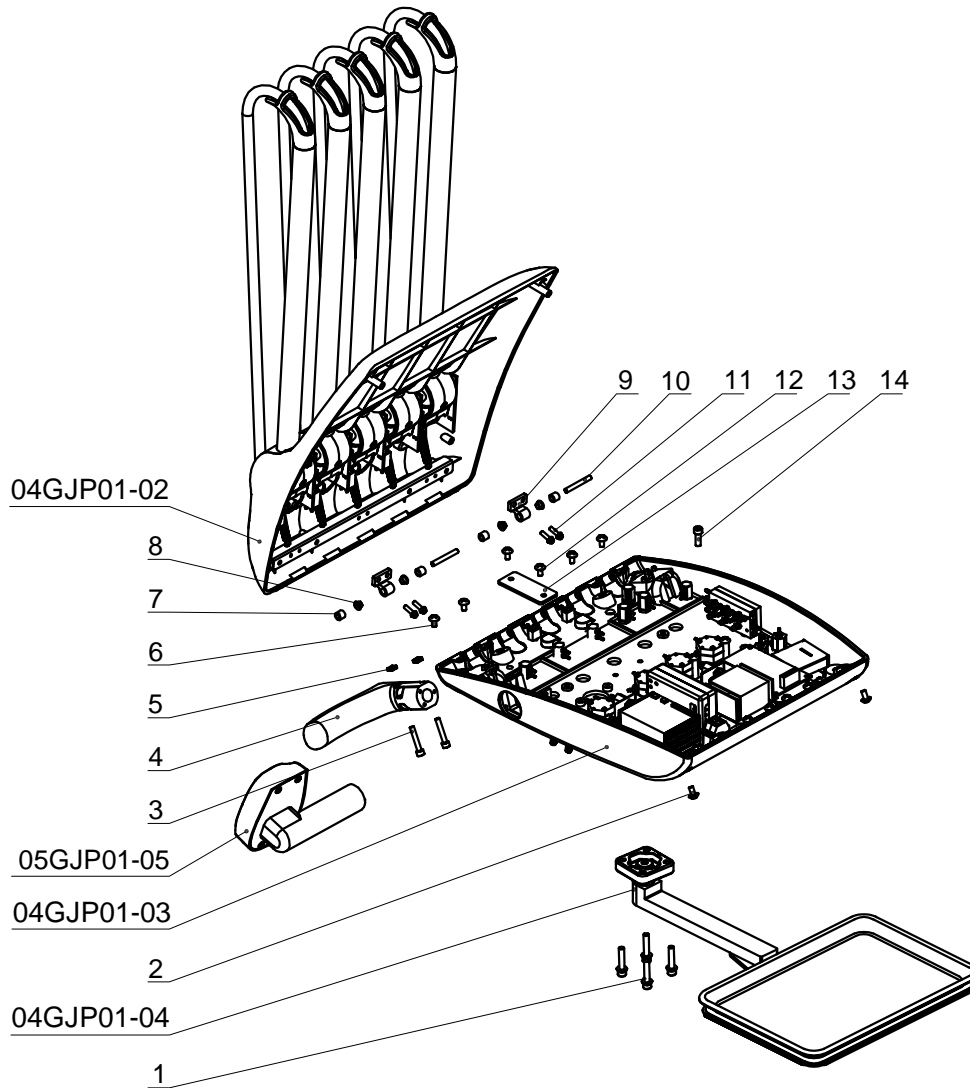


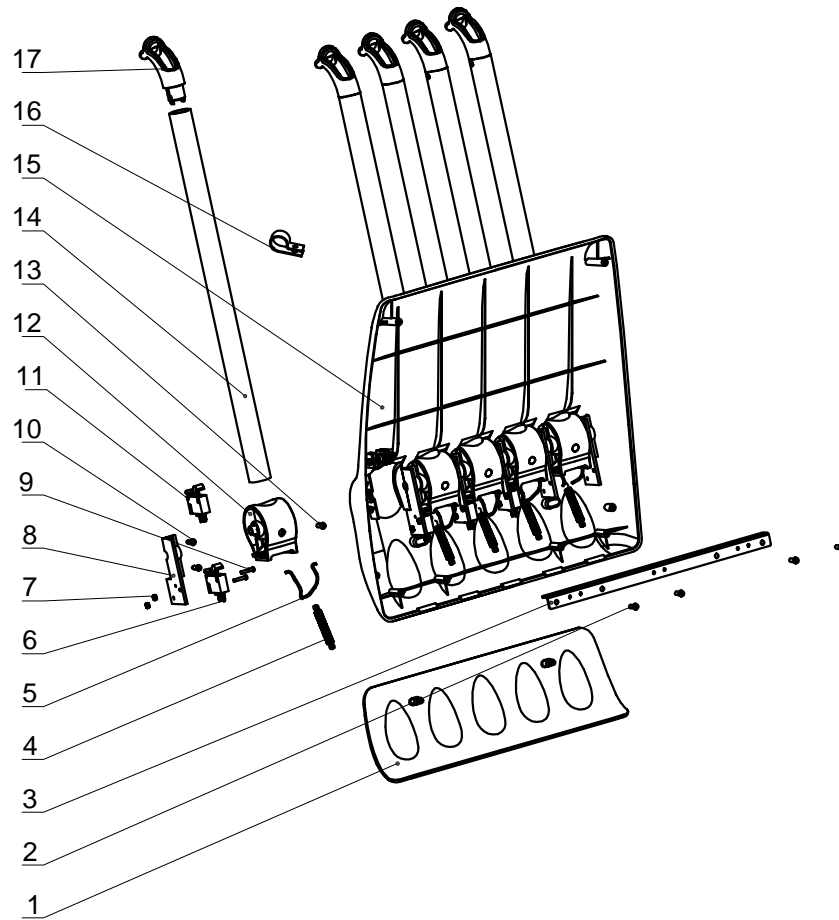
No.	Material No.	Name	Quantity	Remark
1	8022171A	M6*35 stainless steel screw	3	
2	8021598B	DE type bracket rotation cover	1	
3	8022093A	DE-3 rotation axle upper washer	1	
4	8021601A	DE type bracket rotation axle	1	
5	8010483C	balance arm II (φ30)	1	
6	8022096A	DE-3 rotation axle down washer	1	
7	8022099A	M3 Butterfly spring pad	6	
8	8010516A	doctor's control bracket decoration ring	1	
9	8022102A	DE type doctor's control leveling block	1	
10	8013801A	M6*8 set bolt (black)	7	
11	8016660A	M6*20 stainless steel screw	4	
12	8022105B	DE type doctor's control aluminum bracket	1	
13	8022108A	DE type doctor's control aluminum bracket cover	1	
14	8016762A	M4*6 stainless steel screw	4	



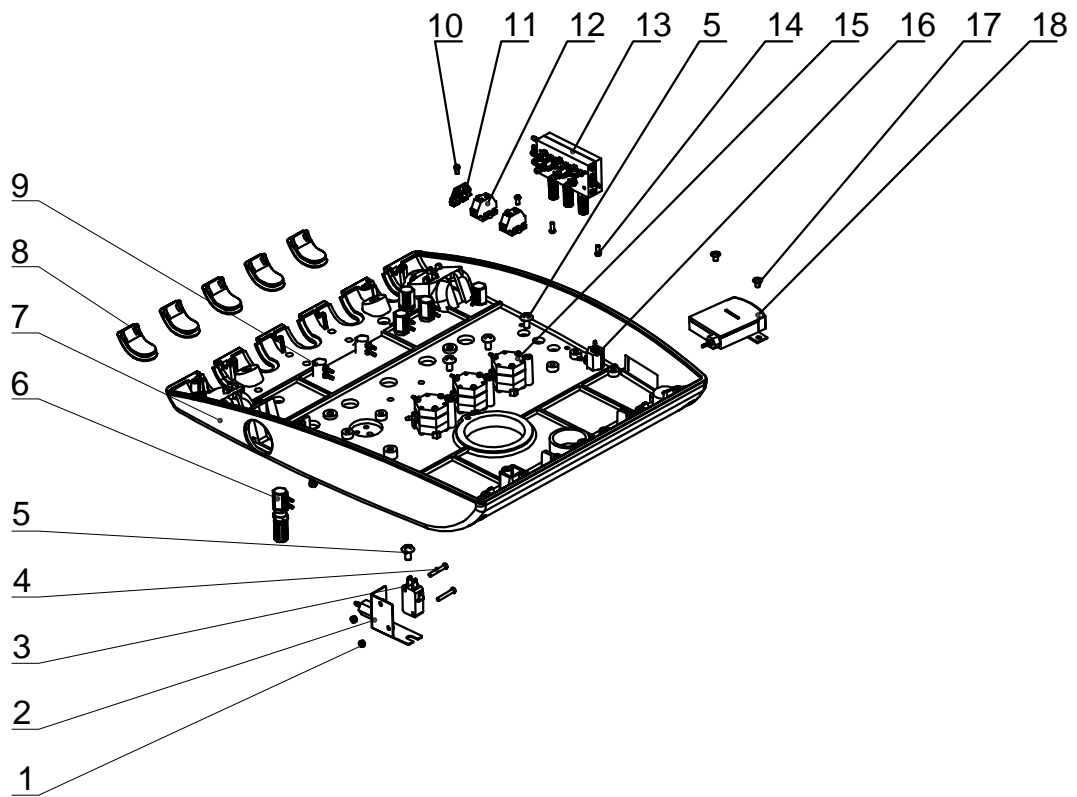
No.	Material No.	Name	Quantity	Remark
1	8018229A	M6*30 stainless steel screw	4	
2	8022177A	M4*12 stainless steel screw	2	
3	8022180A	M5*30 stainless steel screw	2	
4	8011932B	AJ16 handle	1	
5	8022090A	M5*8*4 stainless steel nut	4	
6	8015988A	M5*8 stainless steel screw	6	
7	8022237A	pad pillar (φ9*φ5.2*8)	4	
8	8022162A	GFM-050709-05 Flange bearing	4	
9	8021397A	DE-3 upper cover rotation seat	2	
10	8022165A	5*40 stainless steel straight pin	2	
11	8022174A	M4*12 stainless steel screw	4	
12	8022168A	DE type button box tablet	1	
13	8009403A	M5*10 stainless steel screw	1	

DE-4 Beyond HangingType Doctor's Delivery System

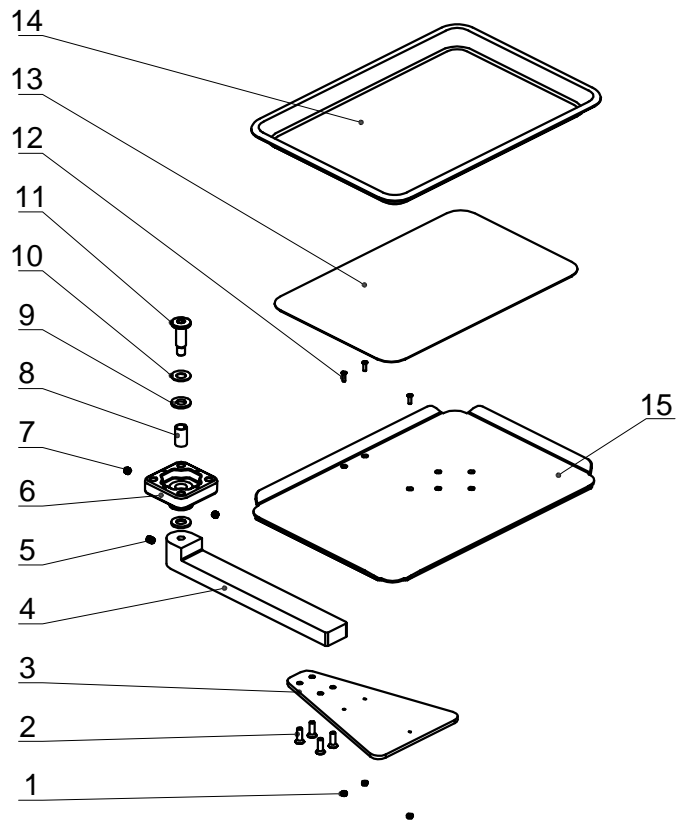
04GJP01-02A



No.	Material No.	Name	Quantity	Remark
1	8021589A	DE-4 continental silicone pad	1	
2	8022174A	M4*12 stainless steel screw	4	
3	8022366A	DE-4 pull rod spring bracket	1	
4	8011989C	★AJ16 continental tension spring	5	
5	8011986B	AJ16 continental arch spring	5	
6	8011020B	Dental scaler normally-closed valve (φ2.4)	1	
7	8001609A	M3 stainless steel nut	8	
8	8011995B	AJ16 continental valve seat	6	
9	8008056A	M3*16 stainless steel screw	8	
10	8003766A	ST4*16 stainless steel screw	12	
11	8011017B	continental normal open valve (φ2.4)	3	
12	8011983B	AJ16 continenta handle seat	5	
13	8012166A	M5*6 set bolt	5	
14	8011980A	AJ16 continental doctor's control straight rod	5	
15	8021622B	DE-4 continental upper cover	1	
16	8019039A	R type wire clip AD18.5	2	
17	8011977B	AJ16 continental bent pull rod	5	



No.	Material No.	Name	Quantity	Remark
1	8001609A	M3 stainless steel nut	2	
2	8022120A	DE type pneumatic control valve bracket	1	
3	8011026B	Electric control valve (φ2.4)	1	
4	8001672A	M3*20 stainless steel screw	2	
5	8015988A	M5*8 stainless steel screw	4	
6	8012196A	Small nozzle water regulating valve (φ2.4-φ2.4)	4	
7	8021607B	DE doctor's control bottom shell	1	
8	8021661A	DE doctor's control bottom shell seal cover	5	
9	8012115A	water regulating valve (φ2.4-φ2.7)	3	
10	8001663A	M3*6 stainless steel screw	2	
11	8005590A	grey end plate with fixing lug	1	
12	8005587A	grey four channels Plastic terminal with fixing lug	2	
13	8011086A	Triple diaphragm valve (imperial unit nozzle)	1	
14	8001666A	M3*8 stainless steel screw	2	
15	8011029B	hexagonal press water valve (φ2.4)	3	
16	8022243A	3way wrench switch	1	
17	8016762A	M4*6 stainless steel screw	2	
18	8012211C	FB-80-120 square pressure gage	1	



No.	Material No.	Name	Quantity	Remark
1	8001609A	M3 stainless steel nut	3	
2	8023737A	M5*12 stainless steel screw	4	
3	8025966A	DE continental tray fixed board	1	
4	8025969A	DE continental tray rotation rod II	1	
5	8013801A	M6*8 set bolt	1	
6	8021583A	DE continental tray rotation seat	2	
7	8014164A	M6*5 set screw	2	
8	8022135A	SF-1 oilless bearing 10*12*20	1	
9	8022132A	plastic pad M10*20*2	2	
10	8022129A	Butterfly spring pad A type 20*10.2*1.1	1	
11	8022126A	DE type tray rod screw	1	
12	8010039A	M3*10 stainless steel screw	3	
13	8022201B	PVC latex antiskid pad	1	
14	8021865A	stainless steel tray 346*252	1	
15	8022123A	300*210 metal tray	1	