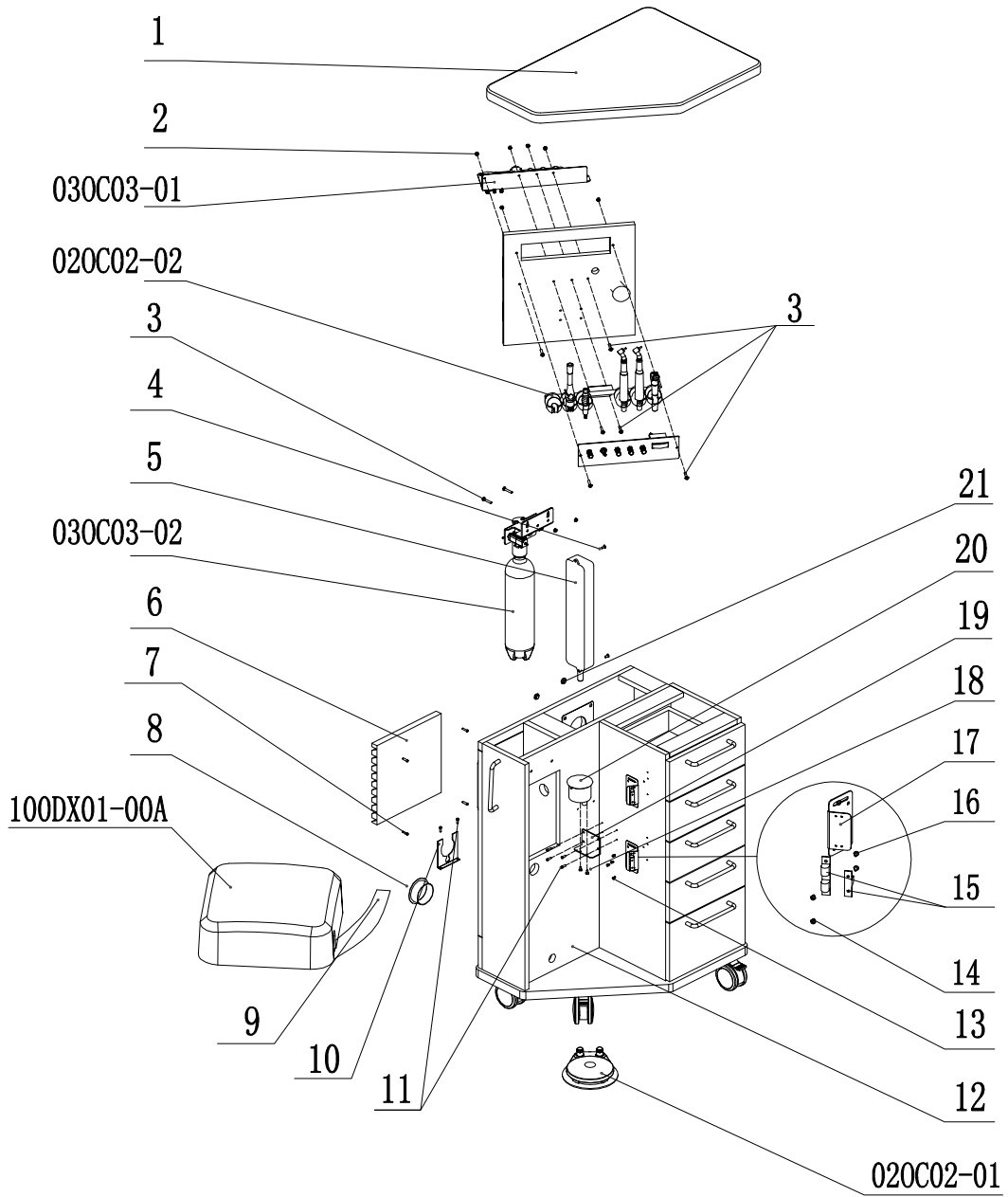


# OC-3 Orthodontic Mobile Cart Parts list

03OC03-00A



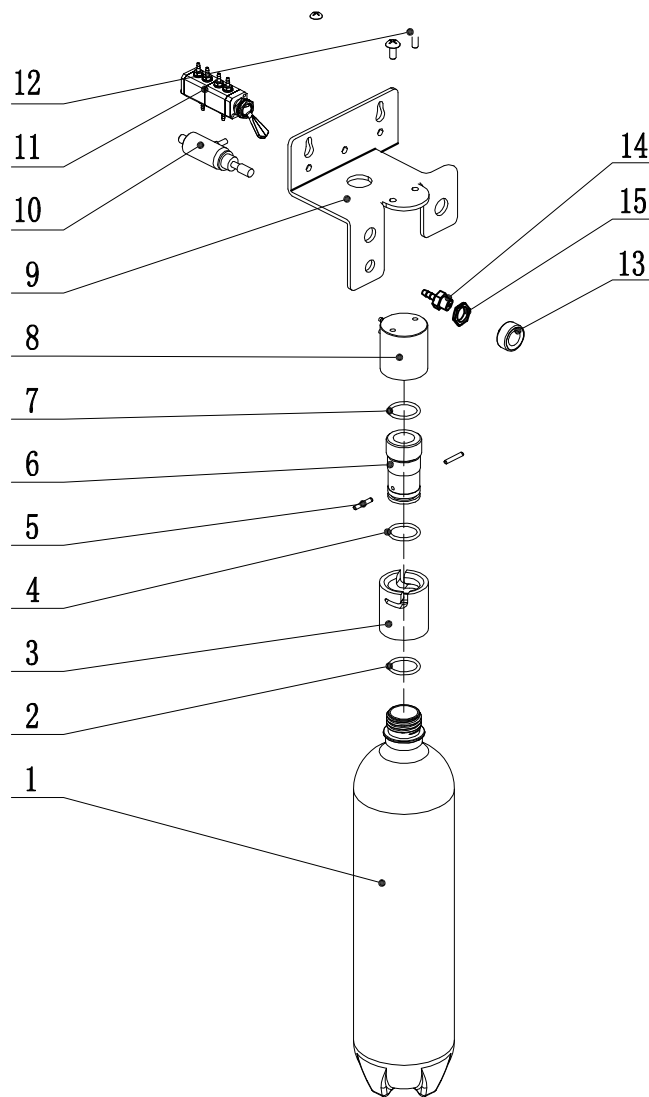
## OC-3 Orthodontic Mobile Cart Parts list

03OC03-00A

No.	Material No.	Name	Quantity	Remark
1	8025120A	OC-3 table-board	1	
2	8023248A	M5 stainless steel nut	8	
3	8024535A	M5*25 stainless steel screw	8	
4	8014182B	ST4*12 Stainless Steel Pan Head Self-tapping Philips Screw	2	
5	8024505B	three American standard sockets (5M)	1	
6	8024508A	ventilated shutters 805	1	
7	8003742A	M4*20 stainless steel screw	4	
8	8024496A	OC-2 decoration cover 63	1	
9	8021652A	φ50 corrugated pipe	1	
10	8023602A	50 corrugated pipe snap joint (16)	1	
11	8014182B	ST4*12 Stainless Steel Pan Head Self-tapping Philips Screw	6	
12	8025123A	OC-3 cabinet	1	
13	8014182B	ST4*12 Stainless Steel Pan Head Self-tapping Philips Screw	4	
14	8001663A	M3*6 Stainless Steel Pan Head Philips Screw	4	
15	8024502A	cabinet door collision bead	2	
16	8001714A	ST3*10 Pan Head Self-tapping Philips Screw	4	
17	8024518A	collision bead fixed board	2	
18	8019912A	6#-32*3/8 Stainless Steel Round Head Screw	2	
19	8022696A	filter fixed board III	1	
20	8017272A	Filter	1	
21	8011491A	glass cuspidor silicone decoration ring	4	

# OC-3 Orthodontic Mobile Cart Parts list

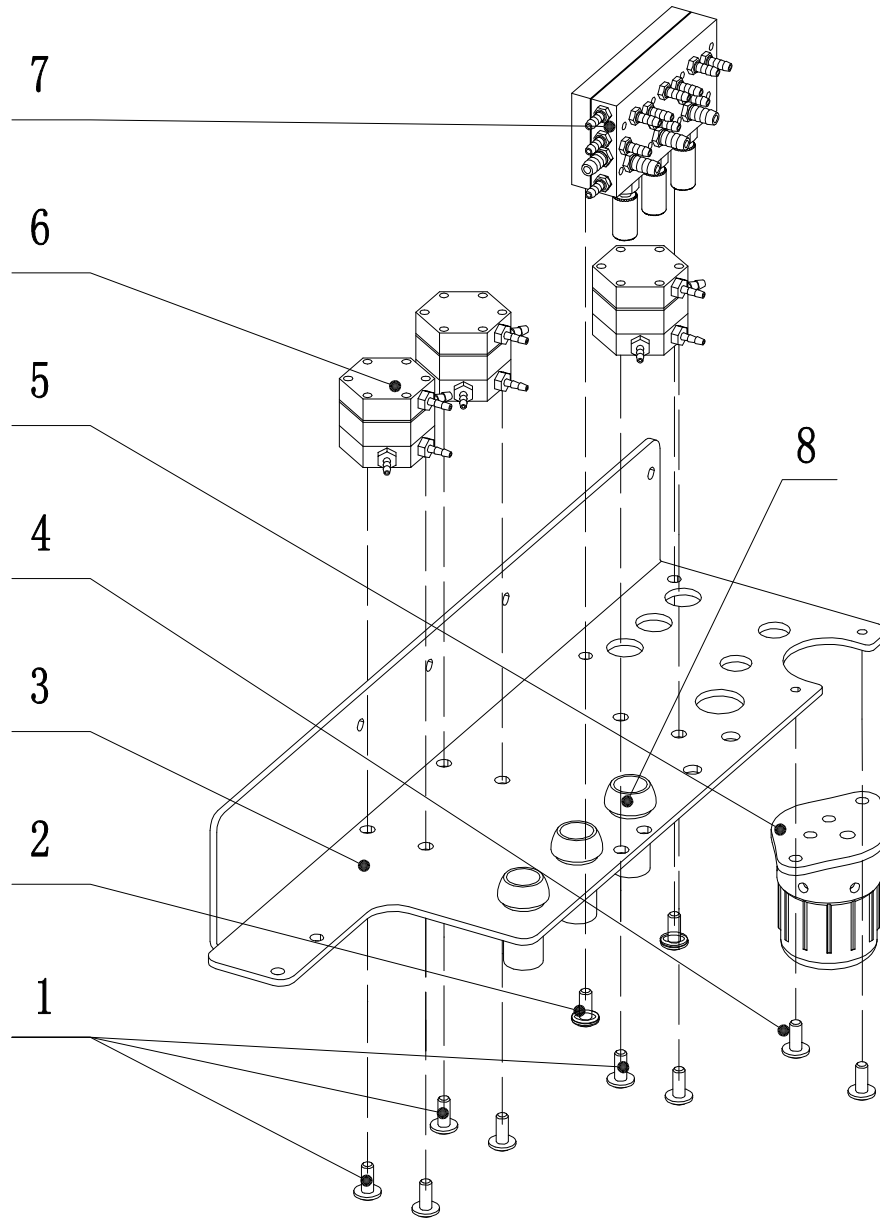
03OC03-02A



No.	Part number	Name	Number	Remark
1	8026344A	WB-2 water bottle 1.5L	1	
2	8013687A	rubber pad (φ28*φ18*t2)	1	
3	8018907B	knob water bottle head	1	
4	8020602A	φ20*φ2.4 Metric O-ring	1	
5	8018931B	knob water bottle fixed pin	2	
6	8018904B	knob water bottle connecting shaft	1	
7	8013687A	rubber pad (φ28*φ18*t2)	1	
8	8008719C	600ml white water bottle head	1	
9	8025129A	OC-3water bottle bracket	1	
10	8018112A	Mini pressure regulating valve	1	
11	8024754A	ADS double conversion valve (φ2.4,φ4.7)	1	
12	8014998A	M5*12 stainless steel screw	2	
13	8023635A	round pressure gage (metric British units)	1	
14	8012199B	φ2.4 copper nipple	1	
15	8005833A	M10*1 stainless steel nut	1	

# OC-3 Orthodontic Mobile Cart Parts list

03OC03-01A



No.	Part number	Name	Number	Remark
1	8001636A	M3*16 Stainless Steel	6	
2	8001666A	M3*8 Stainless Steel	2	
3	8024481A	OC-2 valve fixed board	1	
4	8015112A	M4*8 Stainless Steel	2	
5	8010612A	Sewage cup II	1	
6	8011029B	hexagonal pressurized-water Valve (φ2.4)	3	
7	8011086A	Triple diaphragm valve((Inch Metric Mode)	1	
8	8009913A	handpiece Tube Fixing Set	3	