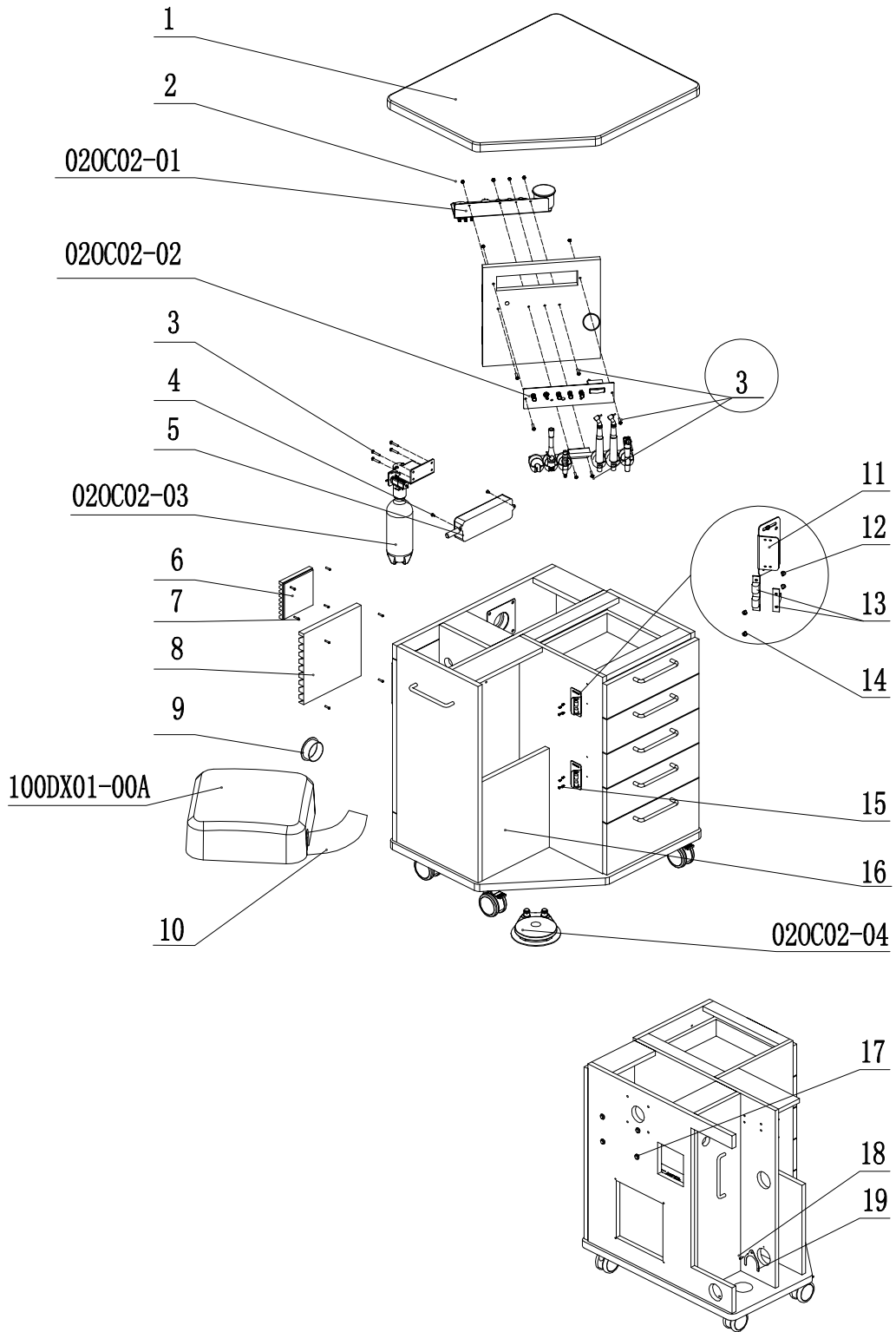


OC-2 Orthodontic Mobile Cart

020C02-00A



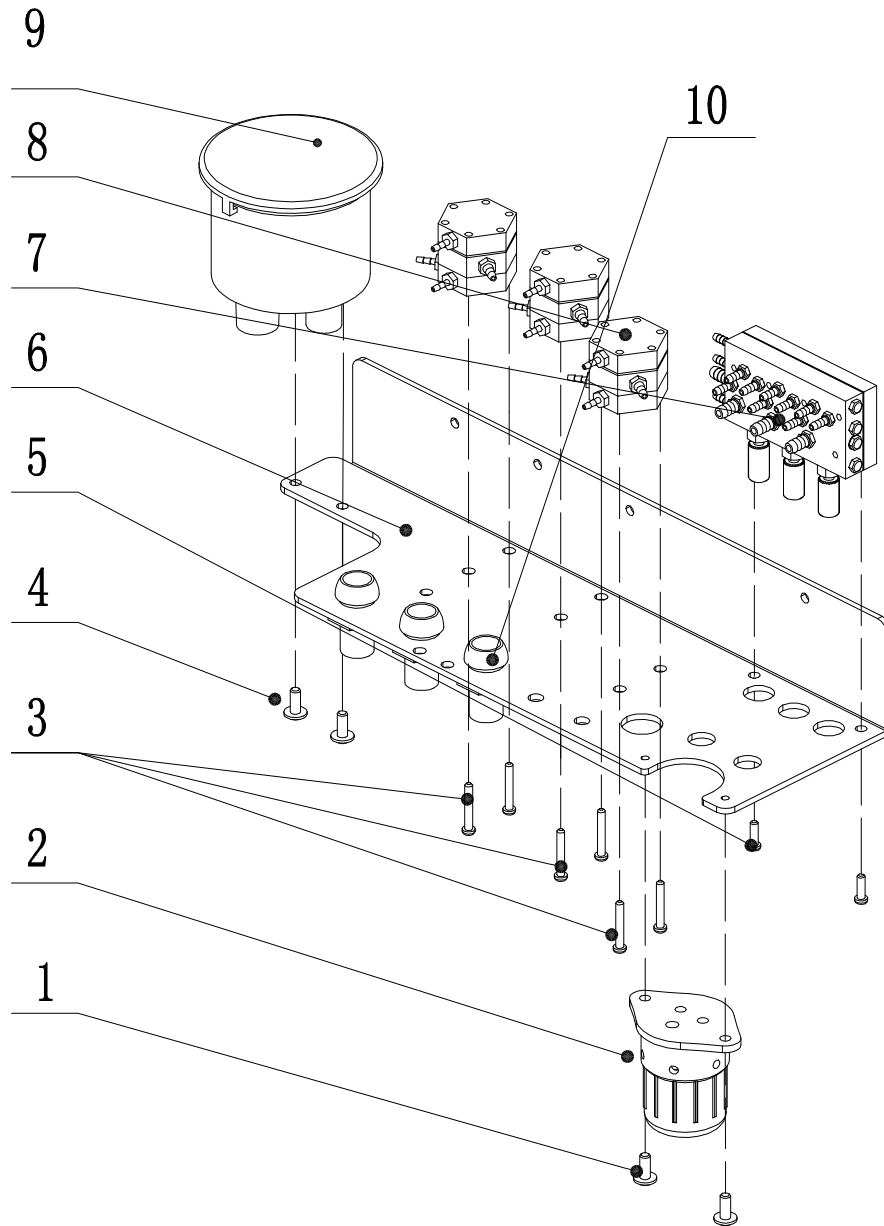
OC-2 Orthodontic Mobile Cart

02OC02-00A

No.	Material No.	Name	Quantity	Remark
1	8024478A	OC-2 table-board	1	
2	8023248A	M5 stainless steel nut	6	
3	8024535A	M5*25 stainless steel screw	10	
4	8014182B	ST4*12 Stainless Steel Pan Head Self-tapping Philips Screw	4	
5	8024505B	three American standard sockets (5M)	1	
6	8024520A	ventilated shutters 803	1	
7	8003742A	M4*20 stainless steel screw	8	
8	8024508A	ventilated shutters 805	1	
9	8024496A	OC-2 decoration cover 63	1	
10	8021652A	φ50 corrugated pipe	1	
11	8024518A	collision bead fixed board	2	
12	8001714A	ST3*10 Pan Head Self-tapping Philips Screw	4	
13	8024502A	cabinet door collision bead	2	
14	8001663A	M3*6 Stainless Steel Pan Head Philips Screw	4	
15	8014182B	M3*6 Stainless Steel Pan Head Philips Screw	4	
16	8024514A	OC-2 cabinet	1	
17	8011491A	glass cuspidor silicone decoration ring	4	
18	8014182B	ST4*12 Stainless Steel Pan Head Self-tapping Philips Screw	1	
19	8022372A	pipe fastener 53	1	

OC-2 Orthodontic Mobile Cart

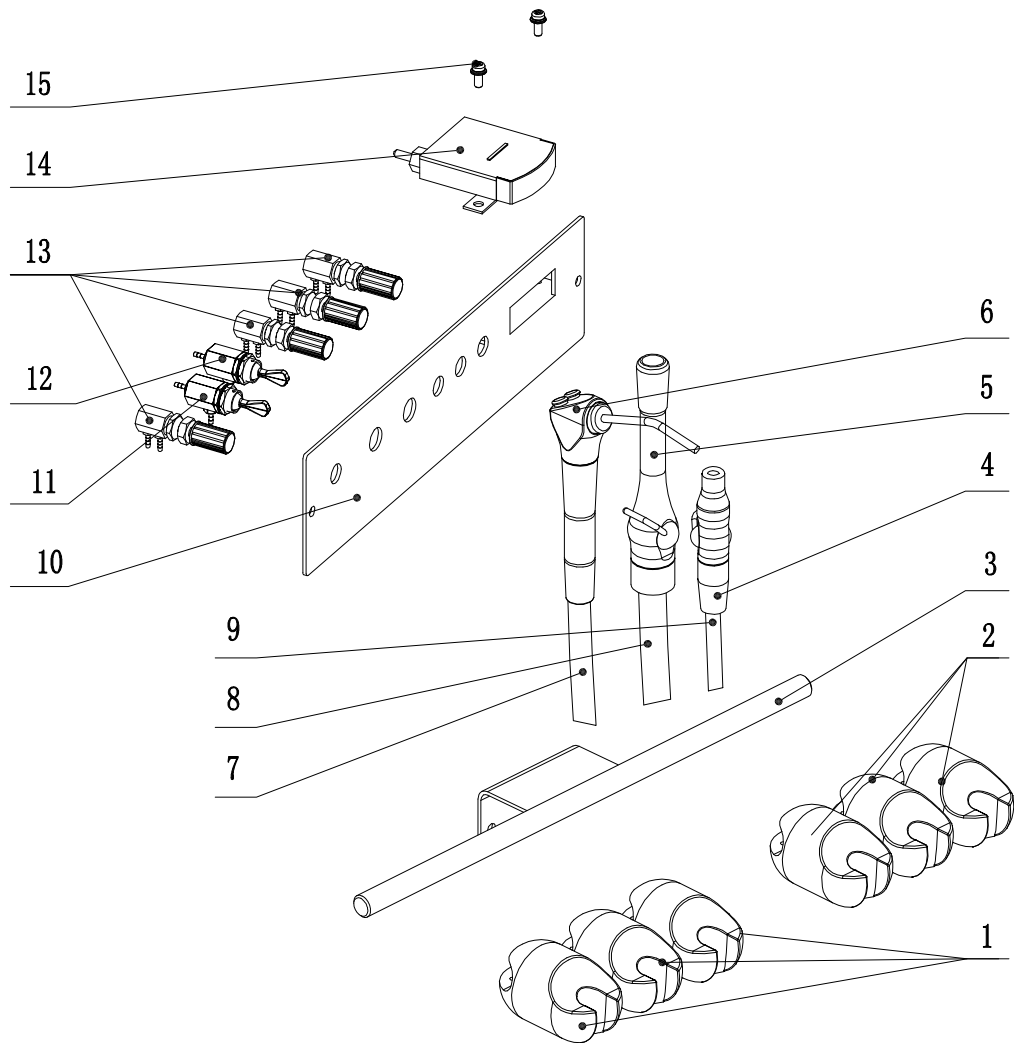
02OC02-01A



No.	Part number	Name	Number	Material	Remark
1	8001678A	M4*8 Stainless Steel Screw	2	Stainless Steel	
2	8010612A	Set the dirt CupII	1	component	
3	8001636A	M3*16 Stainless Steel Screw	6	Stainless Steel	
4	8019912A	6#-32*3/8 Stainless Steel Screw	2	Stainless Steel	
5	8001666A	M3*8 Stainless Steel Screw	2	Stainless Steel	
	8001576A	φ3 Flat Gasket	2	Stainless Steel	
6	8024481A	OC-2 Valve fixed Plate	1	SPCC	
7	8011086A	Triple diaphragm valve((Inch Metric Mode)	1	component	
8	8011029B	hexagonal pressurized-water Valve (φ2.4)	3	H59	
9	8017272A	American Filter (Tuba straight out)	1	component	
10	8009913A	handpiece Tube Fixing Set	3	ABS	

OC-2 Orthodontic Mobile Cart

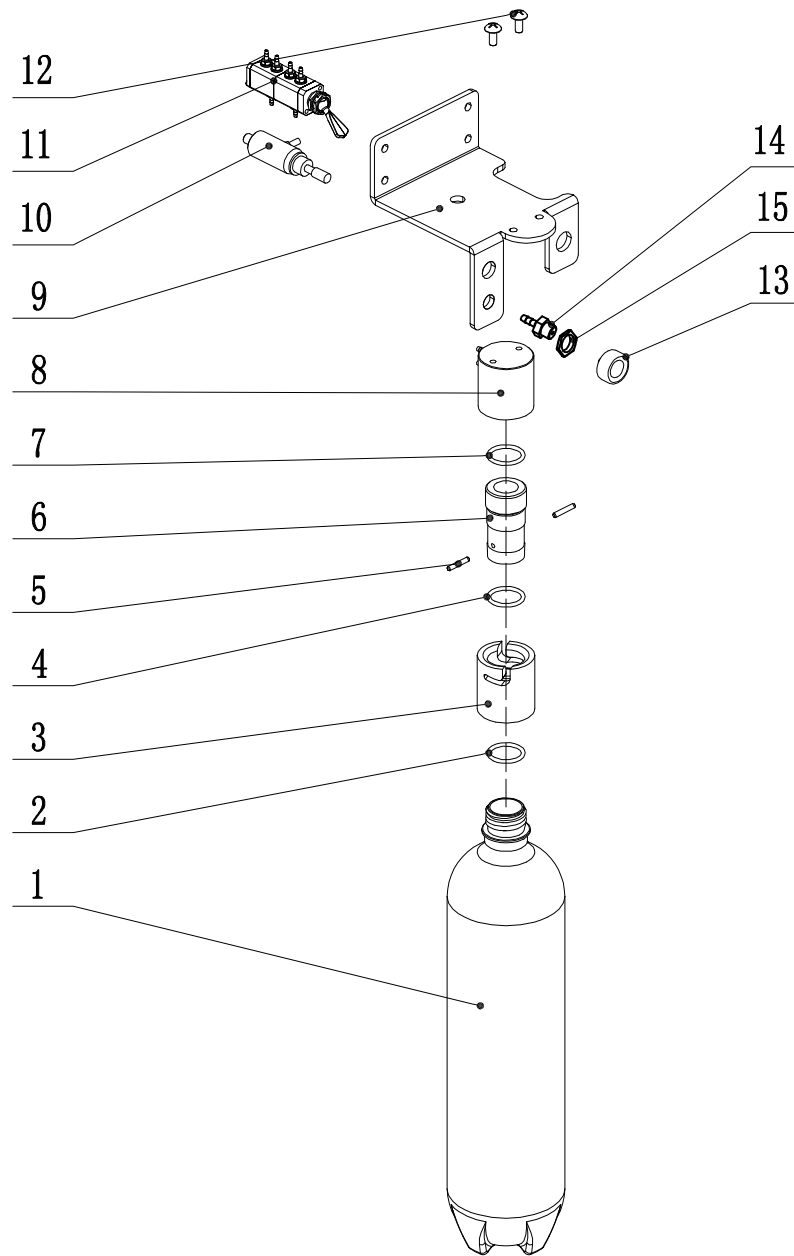
02OC02-02A



No.	Part number	Name	Number	Remark
1	8018835A	round handpiece hanger with control (white)	3	
2	8018838A	round handpiece hanger (white)	3	
3	8024487A	OC-2 hanger rod	1	
4	8012859C	metal with switch small hanle(φ6.5)	1	
5	8012856A	metal with switch long hanle	1	
6	8011428A	DCI elbow syringe	1	
7	8018652A	2 holes syringe pipe	1	
8	8012853B	TDS strong suction pipe (type: 1A-016)	1	
9	8012850B	TDS weak suction pipe(type: 1A-002)	1	
10	8024499A	OC-2 control panel	1	
11	8018868A	wrench switch 2Way instant normally closed	1	
12	8024715A	3Way wrench switch— instant normally closed	1	
13	8012115A	water regulating valve (φ2.4-φ2.4)	4	
14	8012211C	FB-80-120 square pressure gage	1	
15	8016762A	M4*6 stainless steel screw	2	

OC-2 Orthodontic Mobile Cart

02OC02-03A



Part Number	Name	Quantity	Materials	Remark
8026344A	WB-2 Water Storage Bottle 1.5L	1	HDPE	
8013687A	Rubber Blanket (φ28*φ18*t2)	1	Rubber	
8018907B	Knob Water Bottle Cap	1	POM	
8020602A	φ20*φ2.4 Metric O Type Sealed	1	NBR	
8018931B	Knob Water Bottle Fix Stopper	2	standard component	
8018904B	Knob Water Bottle Connecting Shaft	1	SUS304	
8013687A	Rubber Blanket (φ28*φ18*t2)	1	Rubber	
8008719C	600ml White Water Storage Bottle Cap	1	POM	
8024484A	OC-2 Water Bottle Holder	1	SPCC	
8018112A	Mini Pressure Regulating Valve	1	SUS304	
8024754A	ADS Duplex Change-over Valve (φ2.4,φ4.7)	1	component	
8014998A	M5*12 Cross Recess Thin Flat Head Stainless Steel Screw	2	Stainless Steel	
8023635B	Roundness Pressure Gage(Inch Metric Mode)	1	component	
8012199B	φ2.4 Copper Mouth	1	H59	
8005833A	M10*1 Stainless Steel Nut	1	Stainless Steel	