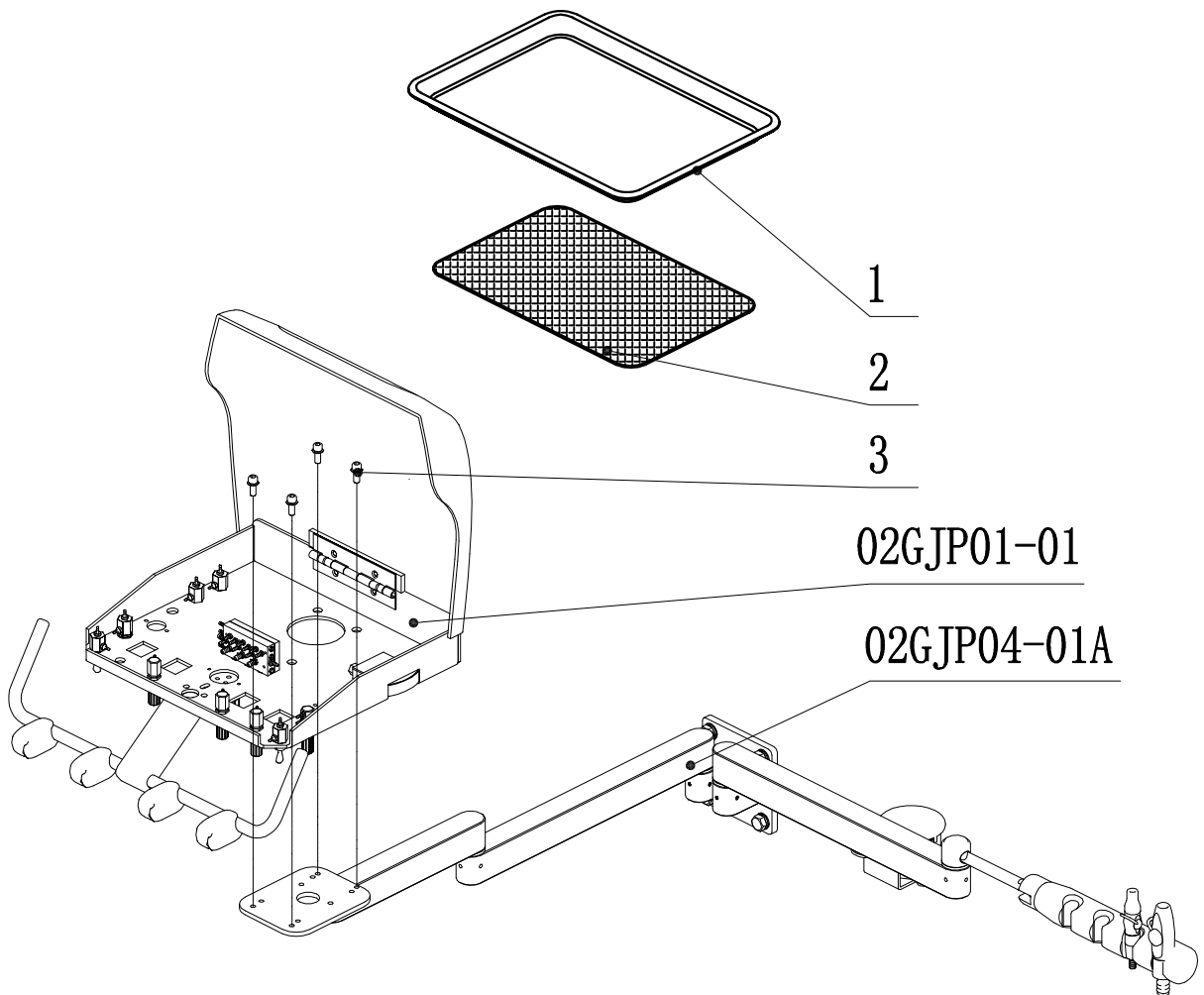


# Rear Duo swing delivery system

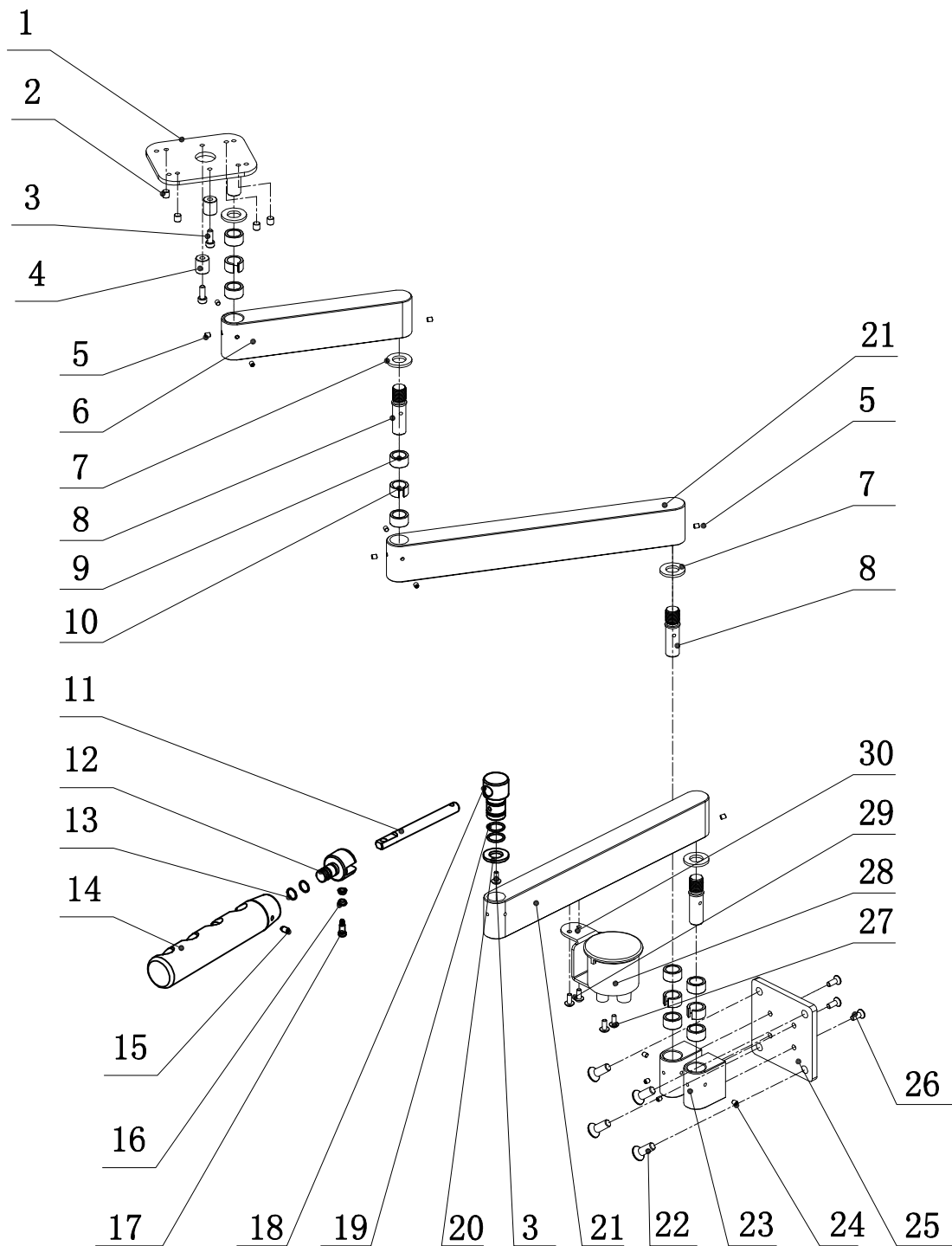
02GJP04-00A



No.	Material No.	Name	Quantity	Remark
1	8021865A	Stainless Steel Tray 346*252	1	
2	8022201B	PVC Latex Non-slip Pad	1	
3	8027388A	M6*16 Stainless Steel Socket Head SEM Screw	3	

# Rear Duo swing delivery system

02GJP04-01A



## Rear Duo swing delivery system

02GJP04-01A

No.	Material No.	Name	Quantity	Remark
1	7009073A	SMDE-2 connecting board	1	
2	8010501A	M5*10 set bolt	4	
3	8001738A	M6*16 stainless steel screw	3	
4	8012721A	AJ16 front rotation arm limit sleeve	2	
5	8021175A	M5*6 stainless steel jackscrew	12	
6	7009079A	SMDE-2 rotation arm I	1	
7	7009100A	M16 nylon pad	4	
8	7009082A	SMDE-2 rotation shaft	3	
9	7009097A	HK1612 needle roller bearing	8	
10	7009076A	SMDE-2 φ16 copper sleeve	4	
11	8023227A	DE-6 short hanger rod	1	
12	8020014C	AS-5 assistant shell rotation shaft	1	
13	8017212B	★φ12*φ1.5 Metric O type seal ring (fluororubber)	2	
14	8020008C	AS-5 assistant shell	1	
15	8020032A	M6*10 jackscrew (with nylon head)	1	
16	8021829A	AS-5 straight rod shaft sleeve	2	
17	8021841A	φ6*16*M5 set screw	1	
18	7009094A	SMDE-2 rotation seat	1	
19	8004990A	φ19*φ1.8 Metric O type seal ring	2	
20	7009103A	φ30*φ22*3 washer	1	
21	7009091A	SMDE-2 rotation arm II	2	
22	7008908	ST8*25 tapping screw	4	
23	7009085A	SMDE-2 fixed seat	2	
24	8012166A	M5*6 set bolt	10	
25	7009088A	SMDE-2 fixed board	1	
26	8010042A	M6*20 stainless steel screw	4	
26	8019912A	6#-32*3/8 stainless steel screw	2	
27	8017272B	filter (large air straight out)	1	
29	8001696A	M5*10 stainless steel screw	2	
30	8023230A	DE-6 filter fixed bracket	1	