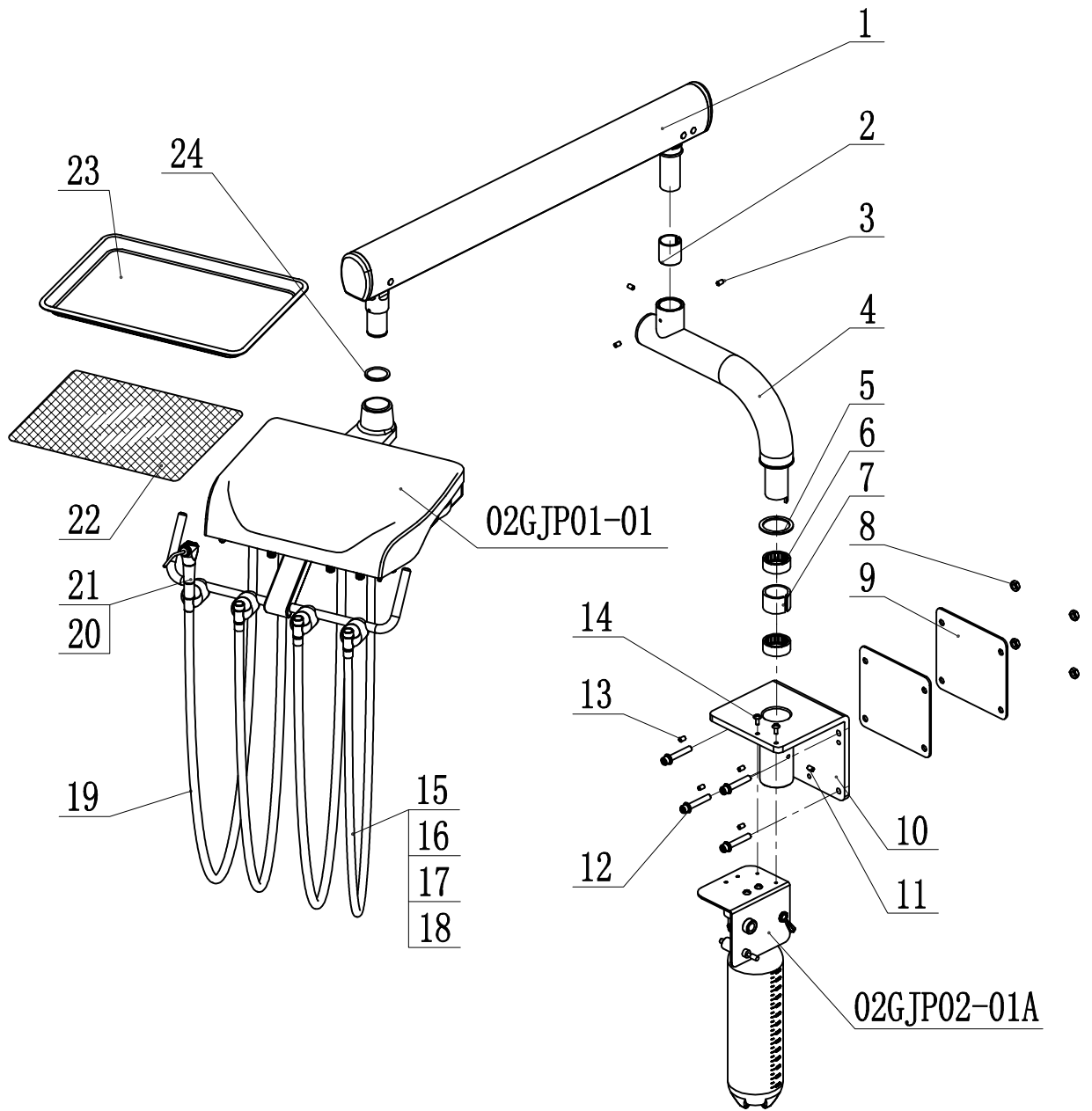


Classic Instrument Tray Breakdown

02GJP02-00A



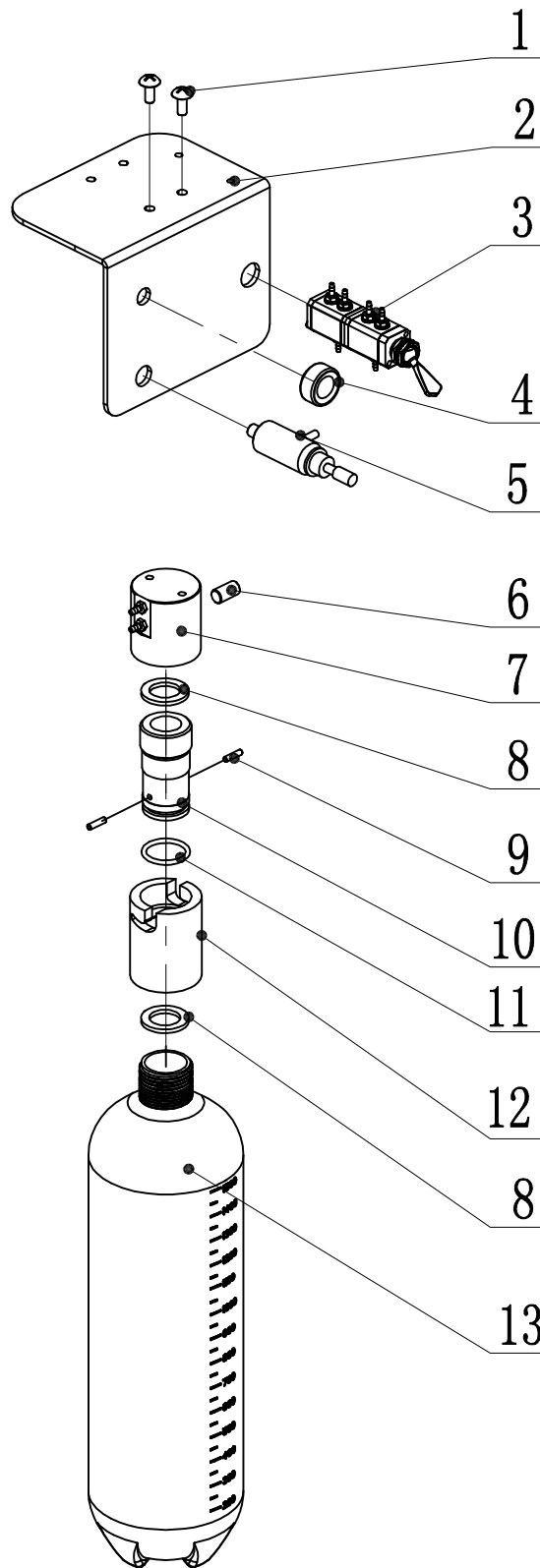
Classic Instrument Tray Breakdown

02GJP02-00A

No.	Material No.	Name	Quantity	Remark
1	8010483D	Balance Arm II (φ30)	1	
2	8024658A	SMDE-1 Copper Bush φ34*φ30	1	
3	8012166A	M5*6 Socket Head Set Screw	3	
4	8024661A	SMDE-1 Horizontal Arm	1	
5	8018913A	φ51 Washer of Horizontal Arm	1	
6	8018928A	HK3516 Needle Roller Bearing	1	
7	8018916B	φ51 Copper Bush	1	
8	8001621A	M8 Stainless Steel Nut	16	
9	8024652A	SMED-1 Washer of Bracket	1	
10	8024664A	SMED-1 Fixed Bracket	1	
11	8024772A	M6*10 Stainless Steel Socket Head Set Screw	1	
12	8010912A	M8*65 Hex Galvanized Screw	4	
13	8011443A	M8*10 Stainless Steel Socket Head Set Screw	5	
14	8020173A	M5*16 Stainless Steel Socket Head SEM Screw	2	
15	8015334B	Coupling Head of 4 Hole Handpiece Hose	1*3	
16	8015331A	Connector of 4 Hole Handpiece Hose	1*3	
17	8012757A	Tube of 4 Hole Handpiece Hose (Silcryn)	1*3	
18	8016216A	φ5.8 Copper Bush	1*3	
19	8018652A	Hose of 2 Hole 3-way Syringe	1.5	
20	8011428A	3-way Syringe	1	
21	8005287A	3-way Syringe Nozzle	1	
22	8021865A	Stainless Steel Tray 346*252	1	
23	8022201B	PVC Latex Non-slip Pad	1	
24	8001552B	Elastic Retaining Ring for φ30 Axis	1	

Classic Instrument Tray Breakdown

02GJP02-01A



Classic Instrument Tray Breakdown

02GJP02-01A

No.	Material No.	Name	Quantity	Remark
1	8014998A	M5*12 Stainless Steel Truss Head Philips SEM Screw	1	
2	8024655A	SMDE-1 Bottle Fixed Plate	1	
3	8024754B	2-way Valve (ϕ 2.4, ϕ 4.7)	1	
4	8018112A	Mini Pressure Regulating Valve	1	
5	8023635B	Circular Manometer (Metric System)	1	
6	8018115A	G1/8 Hex End Cap	1	
7	8008719E	Bottle Head (with installation hole)	1	
8	8013687A	Rubber Mat (ϕ 28* ϕ 18*t2)	2	
9	8018931B	Fixed Axis of Rotatory Bottle	2	
10	8018904B	Connecting Shafts of Rotatory Bottle	1	
11	8020602A	O Ring of ϕ 20* ϕ 2.4	1	
12	8018907B	Head of Rotatory Bottle	1	
13	8026344A	Ajax Water Bottle 1.5L	1	