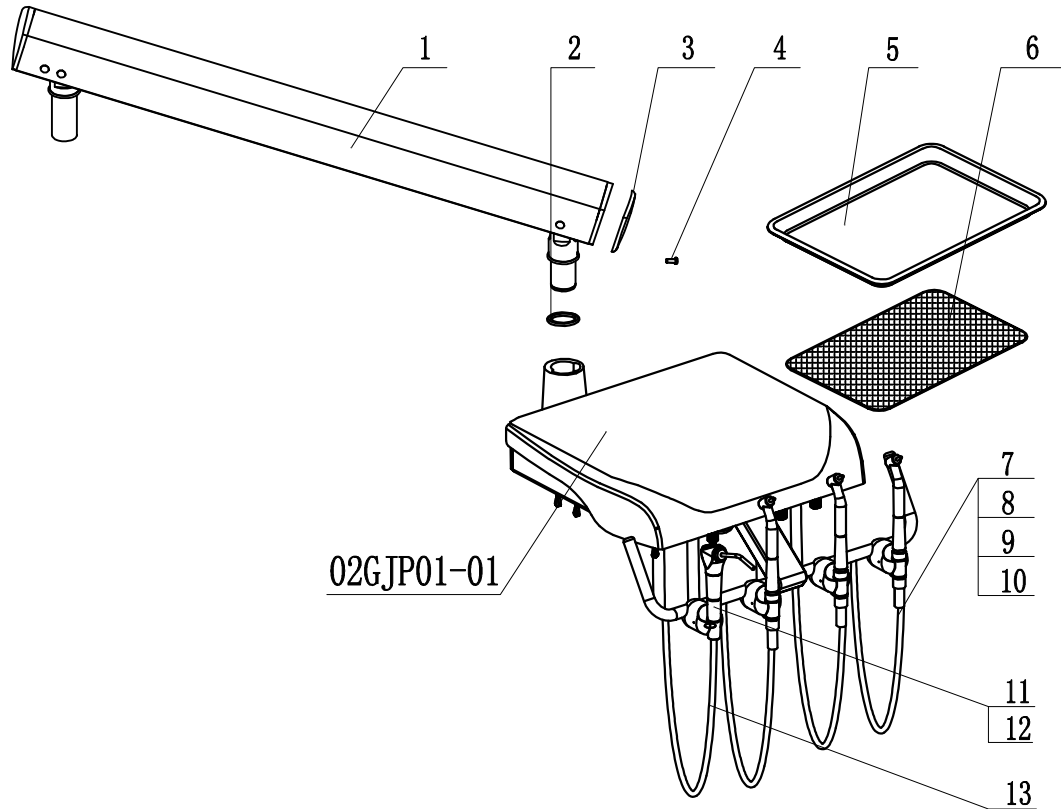


# Classic Instrument Tray Breakdown

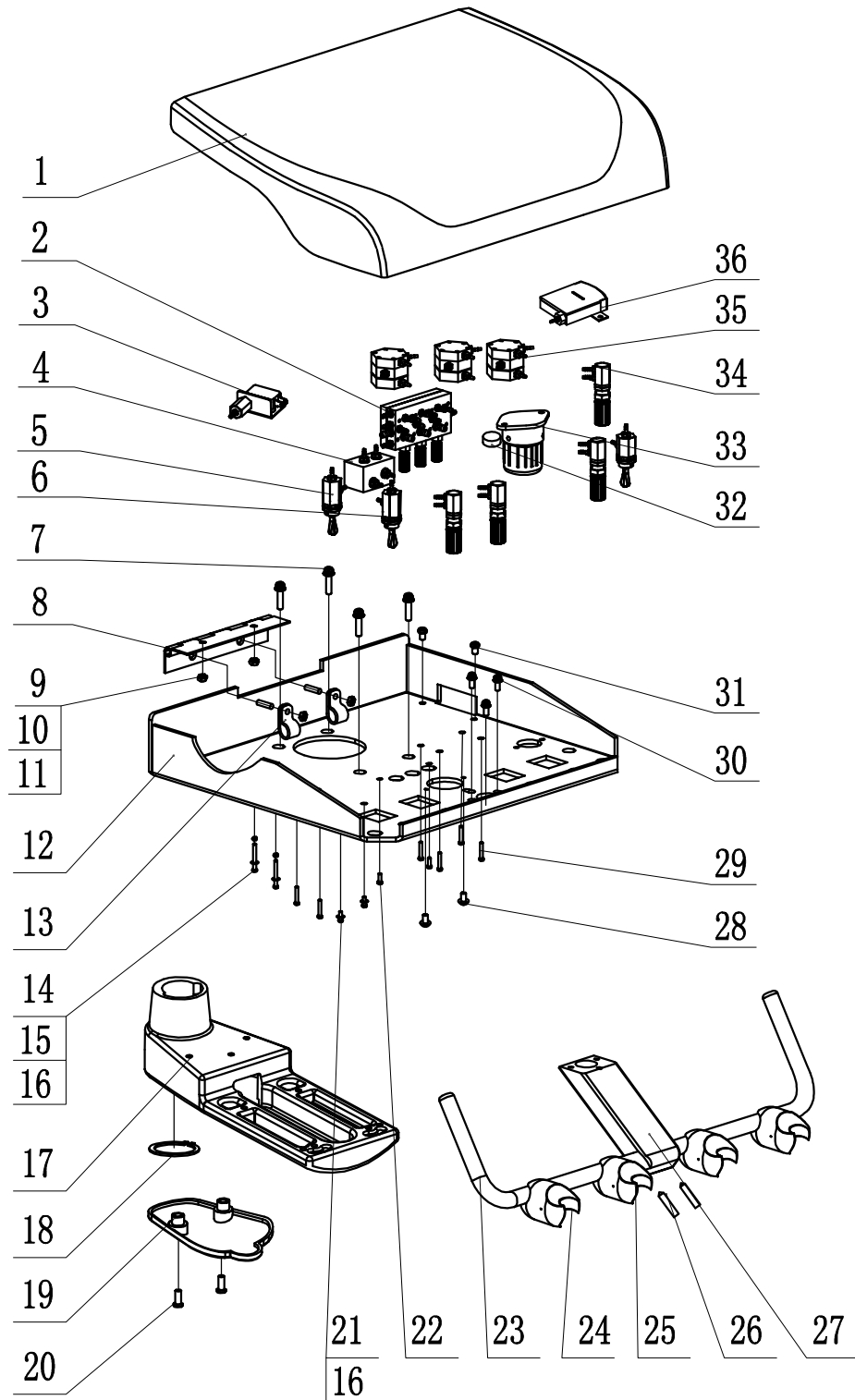
02GJP01-00



No.	Material No.	Name	Quantity	Remark
1	8010483D	Balance Arm II (φ30)	1	
2	8001552B	Elastic Retaining Ring for φ 30 Axis	1	
3	8010525B	Cover II of Balance Armm	2	
4	8001681A	M4*10 Stainless Steel Pan Head Philips Screw	1	
5	8021865A	Stainless Steel Tray 346*252	1	
6	8022201B	PVC Latex Non-slip Pad	1	
7	8015334B	Coupling Head of 4 Hole Handpiece Hose	1	
8	8015331A	Connector of 4 Hole Handpiece Hose	1	
9	8012757A	Tube of 4 Hole Handpiece Hose (Silcryn)	1.8	
10	8016216A	φ5.8 Copper Bush	1	
11	8011428A	3-way Syringe	1	
12	8005287A	3-way Syringe Connector	1	
13	8018652A	Hose of 2 Hole 3-way Syringe	1.5	

# Classic Instrument Tray Breakdown

02GJP01-01



## Classic Instrument Tray Breakdown

02GJP01-01

No.	Material No.	Name	Quantity	Remark
1	8018841E	DE-2 Upper Shell	1	
2	8011086A	3-way Control Block	1	
3	8011026B	Electric Air Control Valve (φ2.4)	1	
4	8018154A	Adjusting Knob of Three Way Syringe	1	
5	8022243A	3-way Spanner Switch	1	
6	8018865A	3-way Spanner Switch	2	
7	8020965A	M5*20 Stainless Steel Pan Head Philips SEM Screw	4	
8	8020596A	1.5 inch Hinge (L=120)	1	
9	8001579A	φ4 Washer	4	
10	8001627A	M4 Spring Washer	4	
11	8022399A	M4 Nut	4	
12	8018847E	DE-2 Base Plate of Instrument Tray	1	
13	8021436A	R Linear Buckle AD10.4	2	
14	8001609A	M3 Stainless Steel Nut	2	
15	8005542A	M3*30 Stainless Steel Pan Head Philips Screw	2	
16	8001576A	φ3 Washer	8	
17	8010492E	Comestic Cover of Balance Arm	1	
18	8001552B	Elastic Retaining Ring for φ30 Axis	1	
19	8010519A	Base Plate of Instrument Tray	1	
20	8001702A	M5*16 Stainless Steel Pan Head Philips Screw	2	
21	8001666A	M3*8 Stainless Steel Truss Head Philips Screw	2	
22	8001663A	M3*6 Stainless Steel Pan Head Philips Screw	2	
23	8018862B	DE-2 Holder Shaft	1	
24	6040006	Circular Holder	1	
25	6040004	Control Valve of Circular Holder	3	
26	8019444A	M6*16 Stainless Steel Set Screw	2	
27	8018859A	DE-2 Connect Block	1	
28	8015112A	M4*8 Stainless Steel Truss Head Philips Screw	2	
29	8008056A	M3*16 Stainless Steel Pan Head Philips Screw	1	
30	8020173A	M5*16 Stainless Steel Socket Head SEM Screw	3	
31	8001675A	M4*6 Stainless Steel Pan Head Philips Screw	2	
32	8019525A	Sponge of Waste Collector	1	
33	8010612A	Waste Collector II	1	
34	8012196A	Adjusting Knob of Small Connector (φ2.4-φ2.4)	4	
35	8011029B	Hex Pressure Valve (φ2.4)	3	
36	8012211C	FB-80-120 Square Rectangular Gauge	1	