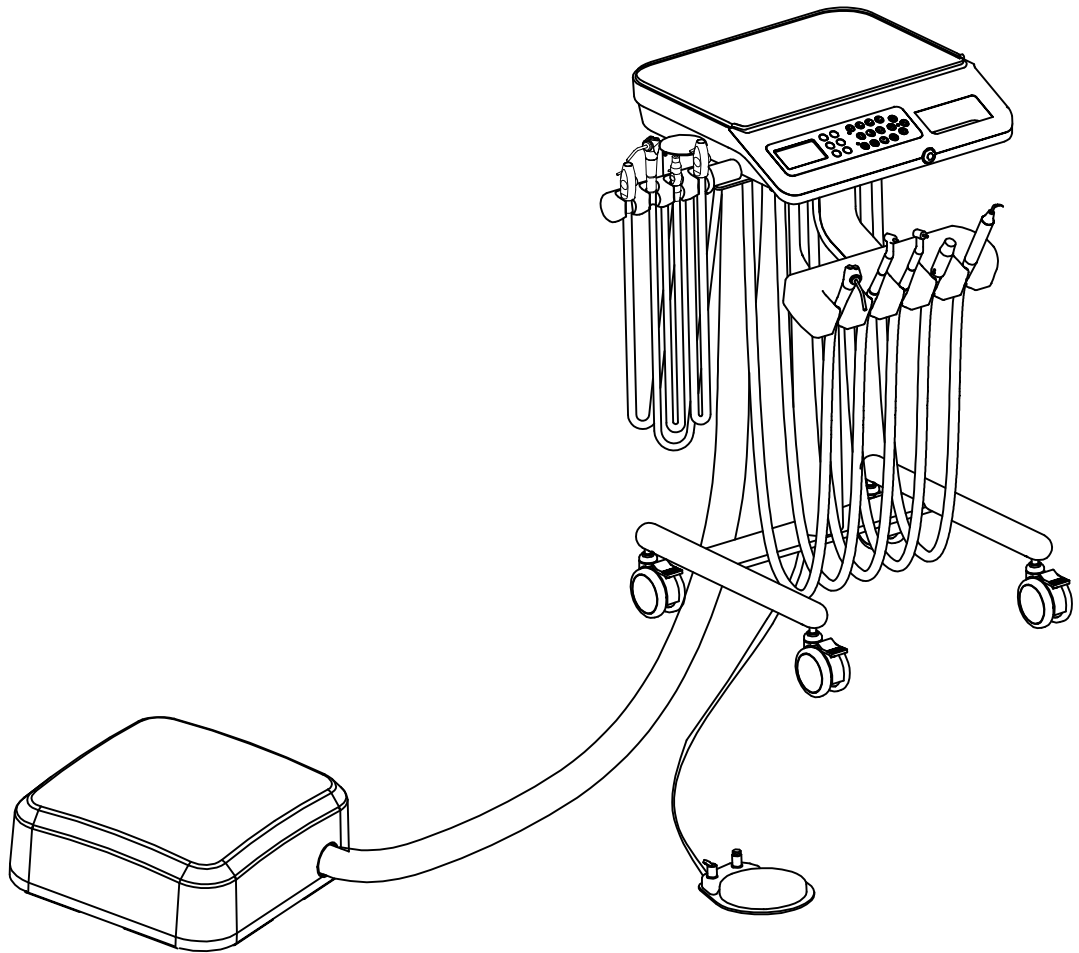
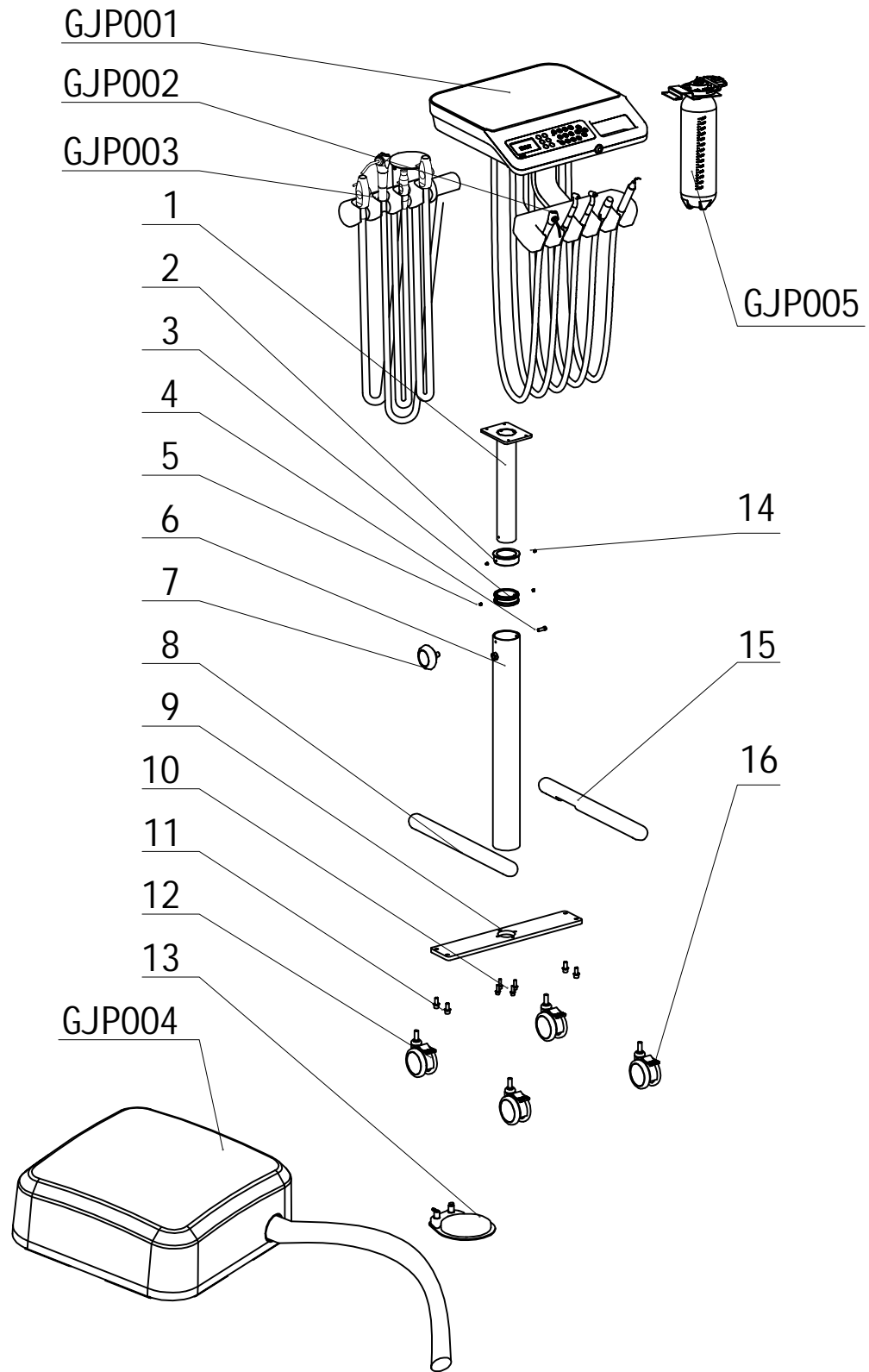


Mobile Dental Cart



Mobile Dental Cart Parts list

01GJP02-00A



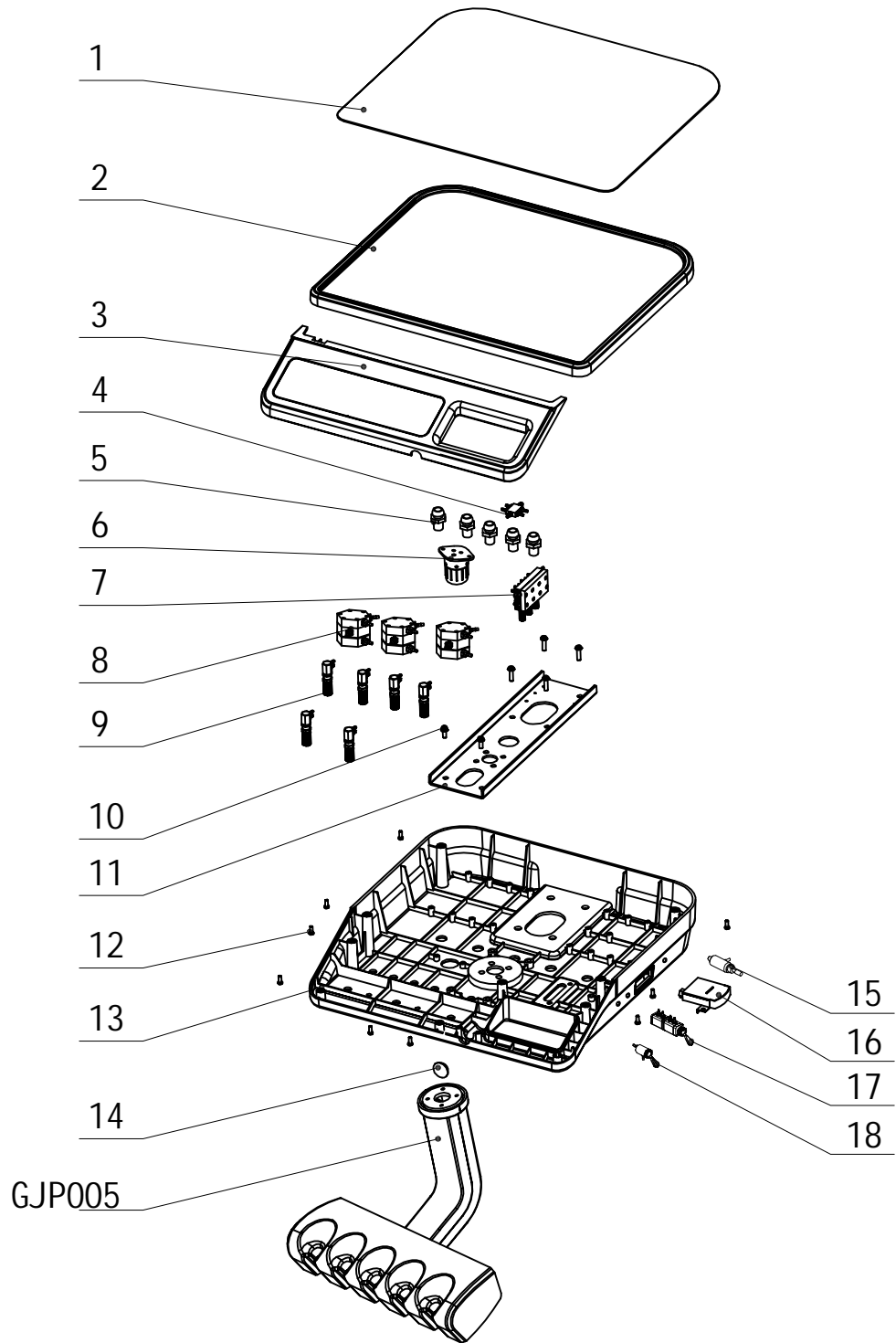
Mobile Dental Cart Parts list

01GJP02-00A

c	Part number	Name	Number	Material	Remark
1	8020998A	cart delivey tray inside pillar II	1		
2	8021004A	cart delivey tray damping sleeveII	1		
3	8020995A	cart delivey tray sliding sleeveII	1		
4	8001711A	M6*10 stainless steel screw	1		
5	8011875A	M5*10 stainless steel set screw	2		
6	8021001A	cart delivey tray	1		
7	8017293A	cart delivey tray	1		
8	8020992A	cart foot shelf right	1		
9	8020986B	cart foot shelf connection board	1		
10	8018229A	M6*30 stainless steel screw	4		
11	8020848A	M8*20 stainless steel screw	4		
12	8017398A	screw rod type medical double wheel ball wheel	2		
13	6007891	junction box filter kit	1		
14	8008707A	M4*6 set bolt	2		
15	8020989A	cart foot shelf left	1		
16	8017401A	screw rod type medical double wheel ball wheel (wi th brake)	2		

Mobile Dental Cart Parts list

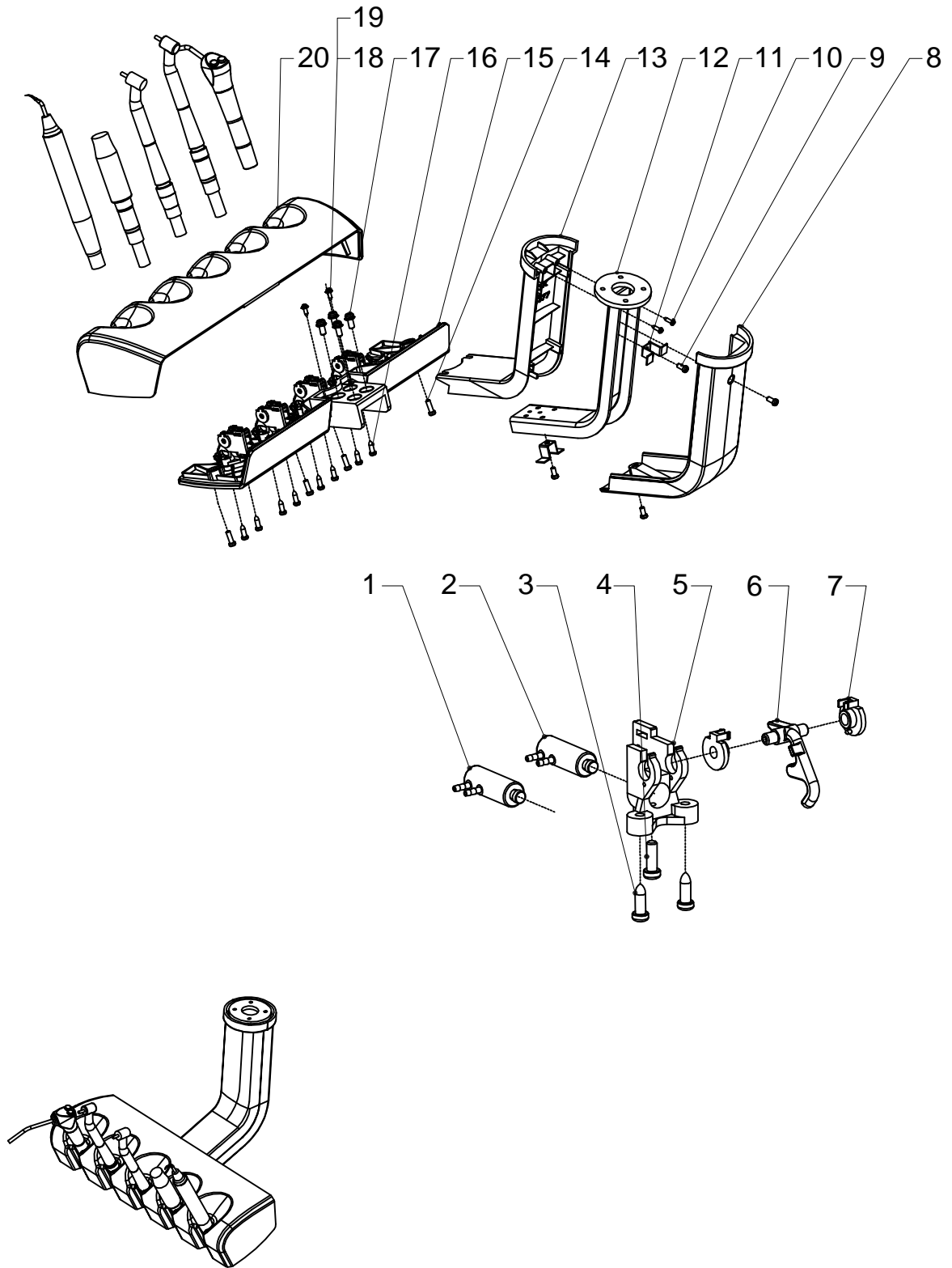
01GJP02-01A



Mobile Dental Cart Parts list

01GJP02-01A

No.	Part number	Name	Number	Material	Remark
1	8015814B	DE-1 square delivery tray silicone pad	1		
2	8014365B	DE-1 delivery tray upper shell	1		
3	8014368B	DE-1 delivery tray key shell	1		
4	8001252A	copper six	1		
5	8009913A	handpiece pipe fixed set	5		
6	8010612A	sewage cup	1		
7	8011086A	Triple diaphragm valve (imperial mouth)	1		
8	8011029B	Hexagonal pressure valve (φ2.4)	3		
9	8012196A	Water regulating valve (φ2.4- φ2.4)	6		
10	8020173A	M5*16 stainless steel screw	6		
11	8014485A	DE-1 delivery tray reinforcing plate	1		
12	8001681A	M4*10 stainless steel screw	9		
13	8014359A	DE-1 delivery tray bottom shell	1		
14	8021844A	decoration cup φ22	1		
15	8018112A	Mini pressure regulator	1		
16	8012211B	FB-80-120 Square pressure gauge	1		
17	8024754A	Ajax Double conversion valve (φ2.4, φ4.7)	1		
18	8018865A	wrench switch 3Way normally open	1		



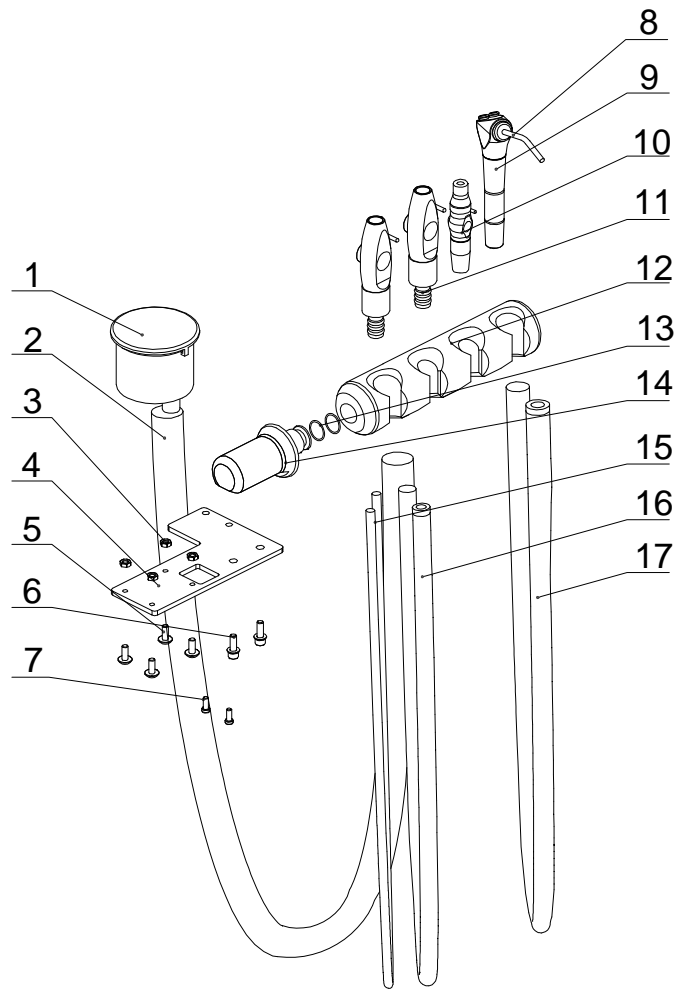
Mobile Dental Cart Parts list

01GJP02-02A

No.	Part number	Name	Number	Material	Remark
1	8011008B	assistant shell normally closed valve (φ2.4)	1		
2	8011011B	small hanger box normally open valve (φ2.4)	1		
3	8003766A	ST4*16 stainless steel tapping screw	2		
4	8001678A	M4*8 stainless steel tapping screw	1		
5	8013522B	Ajax assistant's control valve seat	4		
6	8013525B	Ajax assistant's control valve seat rod	4		
7	8015670A	Ajax valve seat rod positioning sleeve	8		
8	8014380B	DE-1 hanger rod behind cover	1		
9	8001714A	M4*8 stainless steel screw	4		
10	8001678A	ST3*10 stainless steel tapping screw	2		
11	8014479A	DE-1 limit buckle	2		
12	8014476C	DE-1 hanger rod reinforcing plate	1		
13	8014377B	DE-1 hanger rod front cover	1		
14	8001678A	M4*8 stainless steel screw	4		
15	8014371B	DE-1 hanger bottom shell	1		
16	8014182B	ST4*12 stainless steel tapping screw	8		
17	8014998A	M5*12 stainless steel screw	4		
18	8014998A	ST3*16 tapping screw	2		
19	8001576A	φ3 flat pad	2		
20	8014374B	DE-1 hanger upper shell	1		

Mobile Dental Cart Parts list

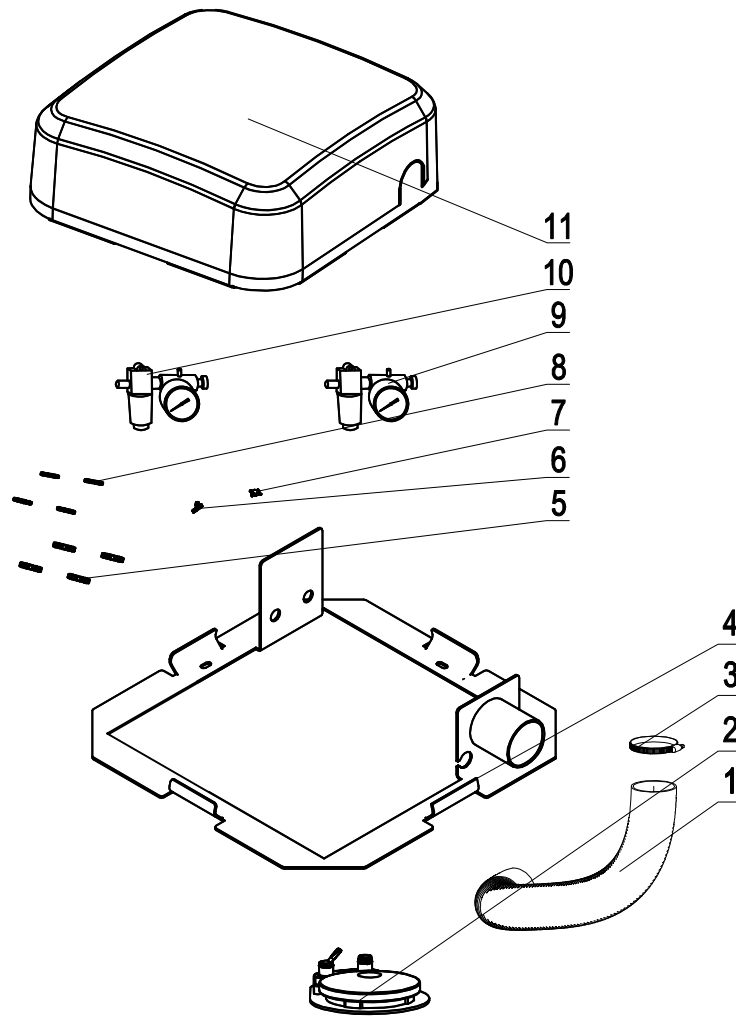
01GJP02-03A



No.	Part number	Name	Number	Remark
1	8019033A	filter (Large straight out)	1	
2	8021709B	Threaded pipe inner diameter 5/8"	3M	
3	8023248A	M5 stainless steel locknut	4	
4	8021640C	cart filter fixed board	1	
5	8020173A	M5*16 stainless steel screw	4	
6	8017443A	M6*16 zinc-coated screw	2	
7	8019912A	6#-32*3/8 stainless steel screw	2	
8	8005287A	syringe mouth	1	
9	8011428A	DCI elbow syringe	1	
10	8012859C	metal with switch small handle(φ6.5)	1	
11	8014017B	metal with switch big handle(φ13)	2	
12	8020008B	AS-5 assistant shelf rotation shaft	1	
13	8017212A	φ12*φ1.5 Metric O-ring	2	
14	8026245A	assistant shelf connector	1	
15	8012853B	TDS strong suction pipe (type: 1A-016)	2	
16	8012850B	TDS weak suction pipe(type: 1A-002)	1	
17	8018652A	2 holes syringe pipe	1	

Mobile Dental Cart Parts list

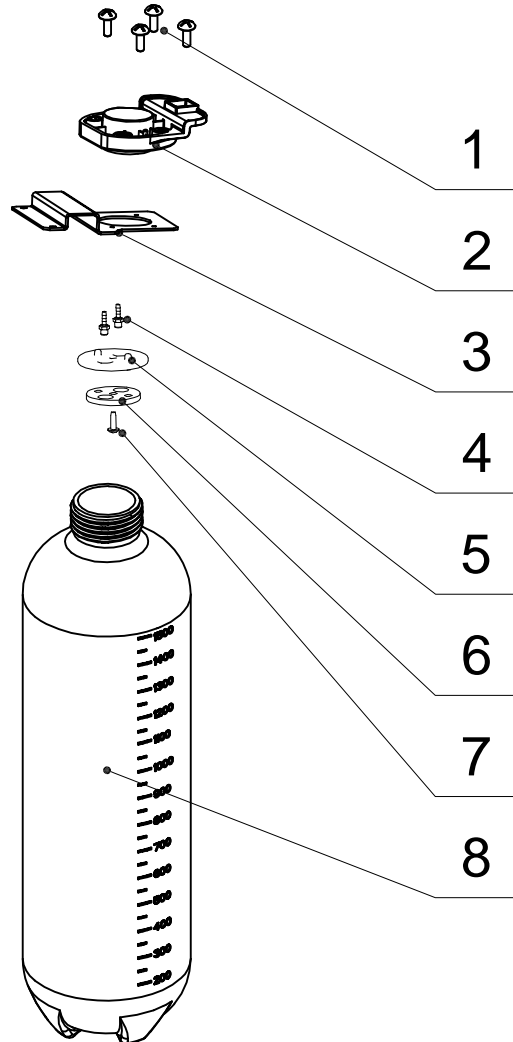
01GJP02-05A



No.	Part number	Name	Number	Material	Remark
1	8021652A	$\phi 50$ corrugated pipe	1		
2	8021640A	four holes round foot control switch set II	1		
3	8001423A	Large throat buckle	1		
4	8018964D	CF-4 junction box bracket	1		
5	8018121A	1/8*10-32 big nipple	4		
6	8018148A	Copper Tee	1		
7	8018151A	Copper cross	1		
8	8012193A	10-32*1/16 small nipple	4		
9	8018109A	Air filter pressure reducing valve	1		
10	8018106A	Water filter pressure reducing valve	1		
11	8018985A	CF-4 junction box cover	1		

Mobile Dental Cart Parts list

01GJP02-04A



No.	Part number	Name	Number	Material	Remark
1	8018487A	ST4.8*16 stainless steel tapping screw	1	stainless steel	
2	8025075A	cart water bottle fixed board III	1	Q235A	
3	8016372A	Aj ax water bottle head	1	ABS	
4	8212199B	φ2.4 copper nipple	1	H59	
5	8016393A	Aj ax water bottle seal ring	1		
6	8016402A	Aj ax water bottle tablet	1	ABS	
7	8001714A	ST3*10 tapping screw	2		
8	8026344A	Aj ax01 water bottle 1.5L	1		